

UNITED STATES DEPARTMENT OF THE INTERIOR  
GEOLOGICAL SURVEY

Data Report for the 1985 Seismic-Refraction Experiment  
at Yucca Mountain and Vicinity, Southwestern Nevada

Vickie D. Sutton<sup>1</sup>

Open-File Report 85-591

Prepared in cooperation with the Nevada Operational Office  
U. S. Department of Energy  
(Interagency Agreement DE-AI08-78ET44802)

This report (map) is preliminary and has not been reviewed for conformity with U. S. Geological Survey editorial standards (and stratigraphic nomenclature). Any use of trade names is for descriptive purposes only and does not imply endorsement by the U. S. Geological Survey.

1. USGS, Menlo Park, CA 94025

## TABLE OF CONTENTS

	Page
Introduction.....	1
Acknowledgments.....	2
Surveying Seismic Recorder and Shotpoint Sites.....	3
Shotpoints and Seismic Recorders.....	3
Data Processing and Picking First-Arrival Times.....	4
Reference.....	5
Appendix A- Table of Seismograph Locations.....	9
Appendix B- Shot Locations and Times, Tape Grade Code, and DKDAT Data File.....	14
Appendix C- First Arrival Times.....	64

## FIGURES

1. Schematic Diagram of Seismic Recorders.....6
2. System Response Curve for Seismic Recording Units.....7
3. Schematic of Data Processing System.....8

## PLATES

1. Map of Yucca Mountain and vicinity, Southwestern Nevada, with Numbered Shotpoints and Recorder Site Locations
2. Record Sections- East-West Profile, Line A. Shot 1: Shotpoint 18 and Shot 2: Shotpoint 15
3. Record Sections- East-West Profile, Line A. Shot 3: Shotpoint 2 and Shot 4: Shotpoint 5\*
4. Record Sections- East-West Profile, Line A. Shot 5: Shotpoint 19\* and Shot 6: Shotpoint 17
5. Record Sections- East-West Profile, Line A. Shot 7: Shotpoint 16 and Shot 8: Shotpoint 1
6. Record Sections- East-West Profile, Line A. Shot 9: Shotpoint 3 and Shot 10: Shotpoint 4
7. Record Sections- East-West Profile, Line B. Shot 11: Shotpoint 20 and Shot 12: Shotpoint 7
8. Record Sections- East-West Profile, Line B. Shot 13: Shotpoint 23 and Shot 14: Shotpoint 25

PLATES (continued)

9. Record Sections- East-West Profile, Line B. Shot 15: Shotpoint 27 and  
Shot 16: Shotpoint 26
10. Record Sections- East-West Profile, Line B. Shot 17: Shotpoint 21 and  
Shot 18: Shotpoint 22
11. Record Sections- East-West Profile, Line B. Shot 19: Shotpoint 24 and  
Shot 20: Shotpoint 29
12. Record Sections- North-South Profile. Shot 21: Shotpoint 19\* and  
Shot 22: Shotpoint 11
13. Record Sections- North-South Profile. Shot 23: Shotpoint 8 and  
Shot 24: Shotpoint 9
14. Record Sections- North-South Profile. Shot 25: Shotpoint 10 and  
Shot 26: Shotpoint 5\*
15. Record Sections- North-South Profile. Shot 27: Shotpoint 12 and  
Shot 28: Shotpoint 6
16. Record Sections- North-South Profile. Shot 29: Shotpoint 7 and  
Shot 30: Shotpoint 14
17. Record Sections- North-South Profile. Shot 31: Shotpoint 13

\* Fan Shot

## INTRODUCTION

In February 1985, the U. S. Geological Survey (USGS) conducted a seismic-refraction survey in the vicinity of Yucca Mountain, Southwestern Nevada to better define the P(compressional)-wave velocity structure of the upper crust in this area. This experiment is a continuation of seismic investigations at the Nevada Test Site (NTS) by the USGS on behalf of the Nevada Nuclear Waste Storage Investigations Project (NNWSI) to assess the feasibility of a proposed nuclear waste disposal site at Yucca Mountain.

The 1985 seismic-refraction survey consisted of three separate deployments: two East-West profiles, Line A and Line B, and a North-South profile (Plate 1). Thirty-one shots were recorded by 120 portable seismographs, where recorder station spacing averaged .3 km, and the shotpoints averaged 5 to 8 km apart. Additionally, off set shots were fired at shotpoints located about 7 to 15 km from the endpoints of the deployment lines. The East-West profile, Line A extended 50 km from Jackass Flats (NTS) west to the Amargosa Desert, crossing Yucca Mountain, Crater Flat and Bare Mountain. Nine shots were fired along the profile, and two off-line fan shots (Shotpoints 5 and 19) were fired at Crater Flat. The East-West Profile, Line B extended 60 km from Mercury, Nevada west to the California-Nevada boundary, where 11 shots were fired along the line. The North-South profile extended 50 km from Forty-mile Wash (NTS) along the eastern flank of Yucca Mountain south to the Amargosa Desert. Nine on-line shots and two off-line fan shots (Shotpoints 5 and 19) were fired along the North-South profile.

This report includes record sections from the twenty-nine shotpoints (Plates 2-17), a list of seismograph locations (Appendix A), a list of shotpoint locations and shot times, DKDAT data files and Tape Grade Code (Appendix B), and a list of first-arrival traveltime picks (Appendix C). Detailed interpretation of these data will be published in a subsequent report.

#### ACKNOWLEDGMENTS

I wish to thank T. Conway and R. Harris for their diligent assistance in surveying the site locations, and for deploying seismic recorders. I also wish to thank the field crew: P. Berge, M. Burns, B. Colburn, E. Criley, M. Daley, C. Gilbert, L. Hwang, N. MacGregor-Scott, W. Mooney, P. Meador, J. Murphy, D. Reneau, and D. Whitman. J. Cotton assisted in the report preparation. This experiment was conducted on behalf of the Nevada Nuclear Waste Storage Investigations Project (NNWSI), Nevada Operations Office, U. S. Department of Energy (Interagency Agreement DE-AI08-78ET44802).

## SURVEYING SEISMIC-RECORDER AND SHOTPOINT SITES

Prior to deployment of the seismic recorders, recording sites were staked and surveyed using a Hewlett-Packard Electronic Distance Meter\* (model HP3820), which employs a laser and reflectors. The laser was positioned at various points along the profiles, and reflectors were positioned at the seismic recorder sites, benchmarks, road intersections, and other features distinguishable on topographic and orthophoto maps. Digital readings of horizontal and vertical distances and azimuths from the laser to each reflector were recorded in field notes. Locations of the recorder sites were calculated by the triangulation from known points (benchmarks and road intersections).

All locations were field-checked after the experiments using Brunton compass readings, vehicle mileage, and pacing. Most locations are estimated to be accurate within 20 m. The maximum estimated error is 50 m.

### SHOTPOINTS AND SEISMIC RECORDERS

Shotpoints were sited along the three profiles in as straight a line and with as even a spacing as possible, given the limitations of mobilizing a drilling rig. Typically, shotholes were drilled 36 meters deep (20 cm diameter), then loaded with about 900 to 1850 kg of high-velocity ammonium nitrate explosive, tamped to the surface with gravel and fired automatically according to clock time (Healy, et al, 1982).

The explosions were recorded by 120 portable seismic cassette-tape recorders. Each recorder contains a single vertical-component 2-Hz geophone, chronometer, calibrator, tape deck, tape-speed-compensation tone generator, three independent amplifiers commonly set 18 dB apart in gain (a factor of 8), and a WWVB radio receiver (Fig. 1). The system response peaks at about 20-30 Hz (Fig. 2).

The internal chronometers in the 120 instruments are synchronized to Greenwich Mean Time (GMT) the day prior to deployment and programmed for a maximum of ten recording times using a device called a Hand Held Tester (HHT; Healy et al, 1982). After the shots are fired, the instruments are picked up, chronometer drifts recorded, and tapes removed.

\* The use of trade names is for descriptive purposes only and does not constitute endorsement by the USGS.

## DATA PROCESSING AND PICKING FIRST-ARRIVAL TIMES

The data are converted from analog to digital format via microprocessor systems (Fig. 3). The analog data from the cassette tapes are digitized at a rate of 200 samples/sec. Twenty seconds of data are digitized for each shot and each instrument spanning the time of the expected arrival. Time zero on each trace is calculated to be the shot-instrument spacing divided by 6 km/s; and the trace is digitized for -2 s to 18 s to the maximum peak-to-peak amplitude in whatever interval is plotted. In this report we plot the interval -1 to 8 seconds for each station (Plates 2-17). Record sections are plotted with maximum trace amplitudes normalized to a common value. Negative distances on the horizontal axis on the record sections indicate positions north of the shotpoints on the North-South profile and west of the shotpoints on the East-West profiles (Plates 2-17).

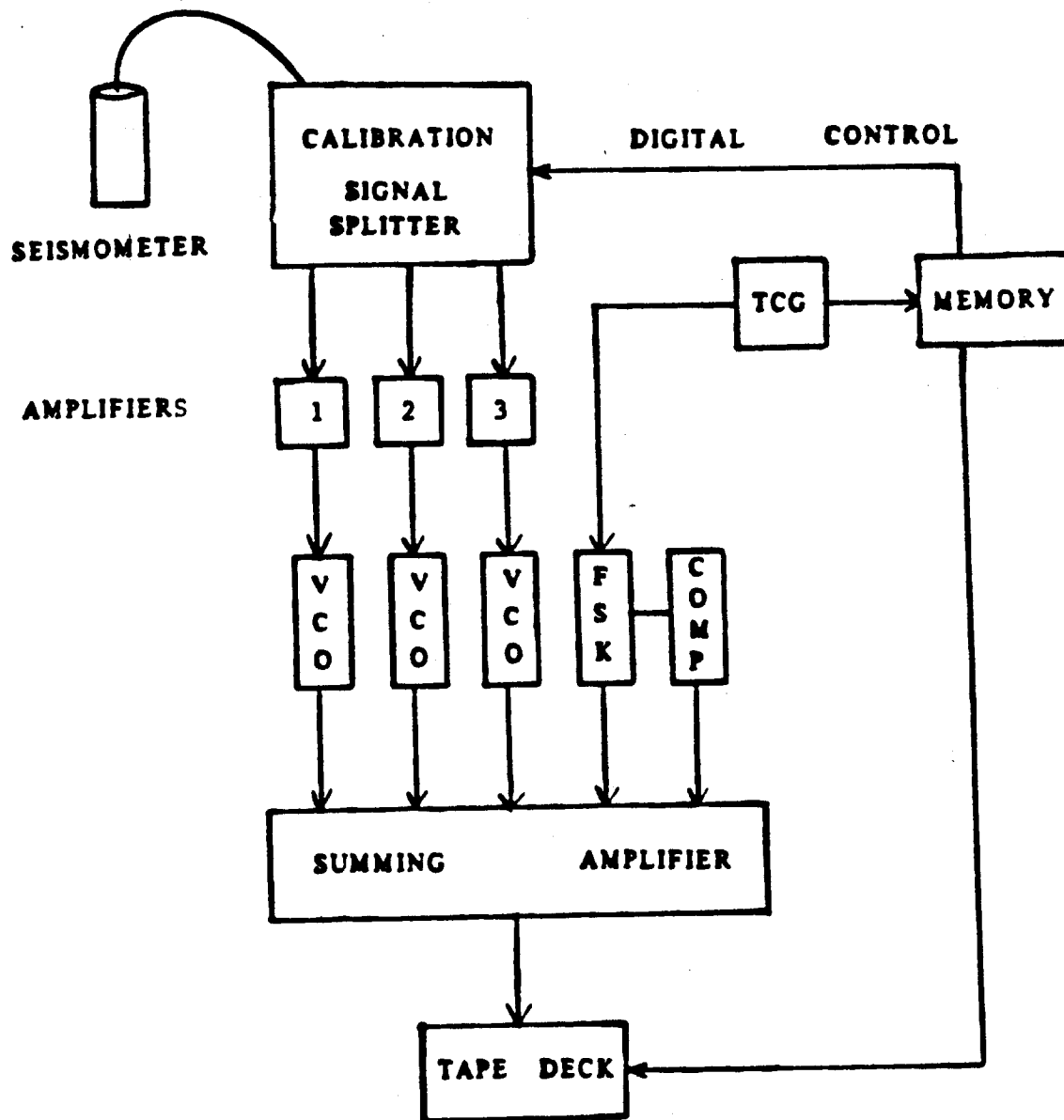
First-arrival travel times were picked from the record sections using cross-hairs displayed on a computer graphics terminal (Appendix C). Weights were assigned for first-arrival times as follows:

- 0 - Excellent
- 1 - Good
- 2 - Fair
- 3 - Weak or Noisy
- 4 - Poor or highly emergent

#### REFERENCE

Healy, J. H., Mooney, W. D., Blank, H. R., Gettings, M. E., Kohler, W. M., Lamson, R. J., and Leone, L. E., 1982, Saudi Arabian Seismic Deep-Refraction Profile: Final Project Report. U. S. Geological Survey Open-File Report 02-37, 432 pp.





COMP = TAPE SPEED TONE GENERATOR  
 FSK = FREQUENCY SHIFT KEYING  
 TCG = TIME CODE GENERATOR  
 VCO = VOLTAGE-CONTROLLED OSCILLATOR

Figure 1.--Schematic diagram of a recording unit.

# CASSETTE RECORDER RESPONSE

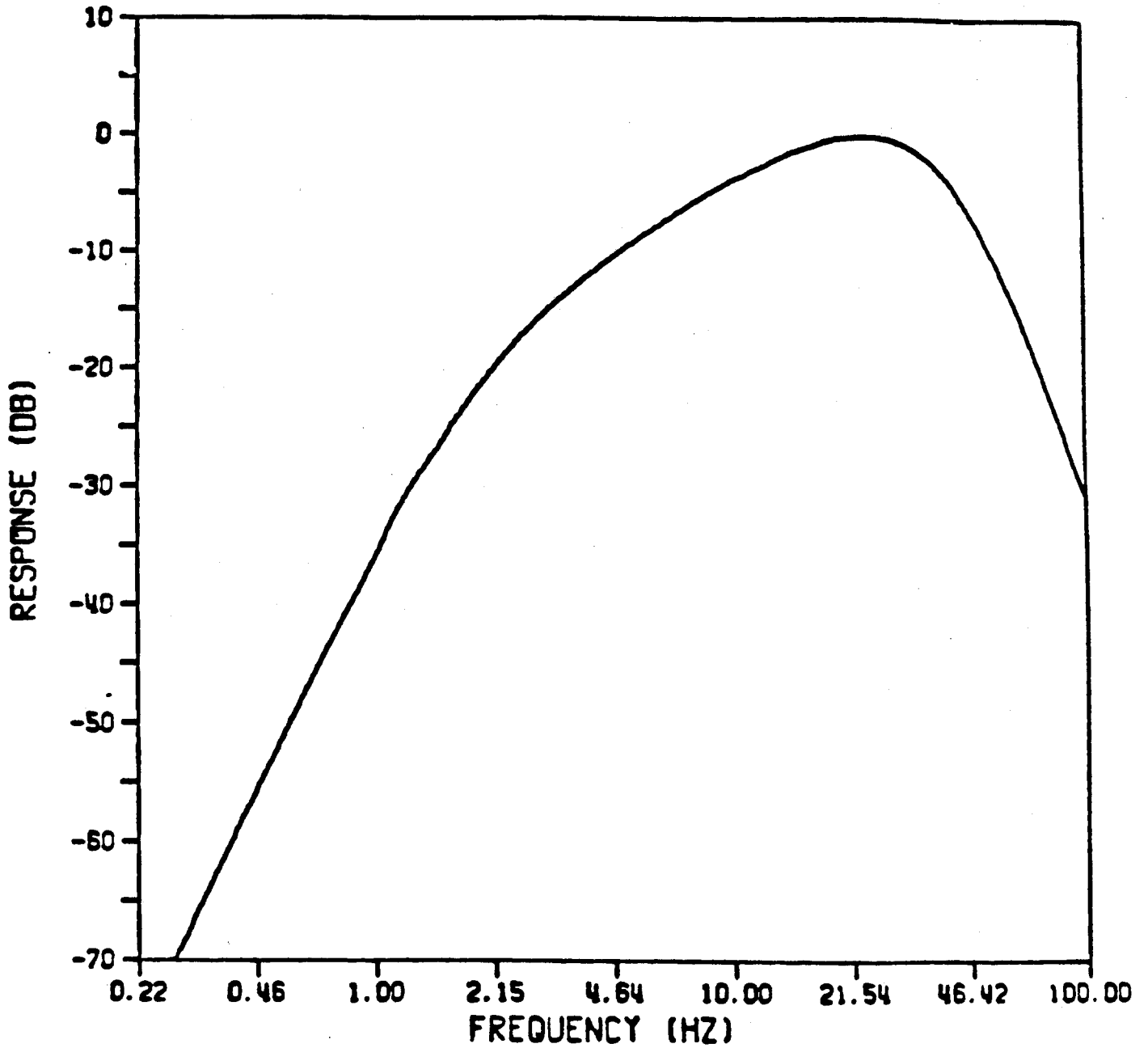


Figure 2 .--System Response Curve for Seismic Recording Units.

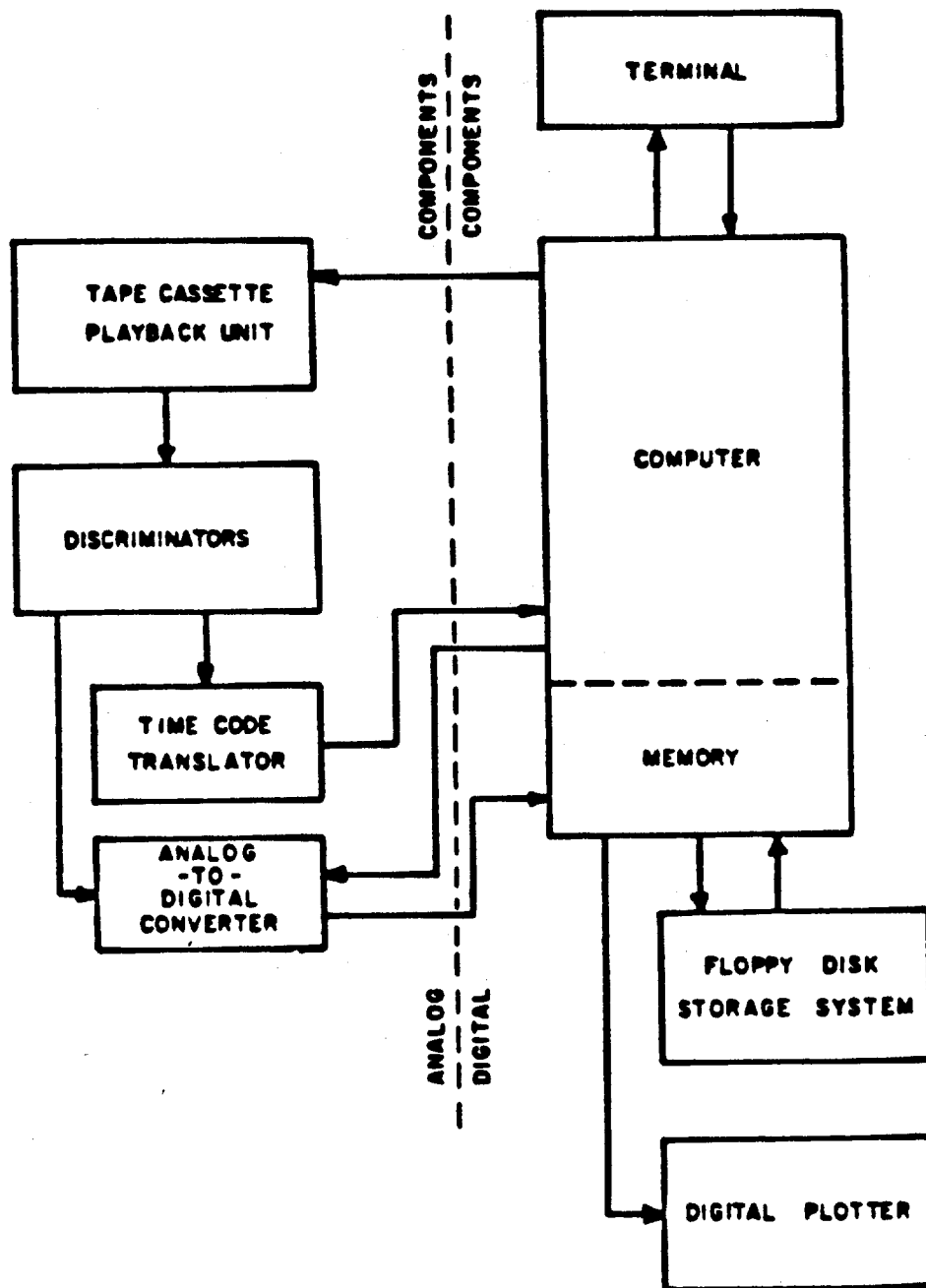


Figure 3 .--Schematic diagram of seismic data processing system showing control and data lines.

APPENDIX A

SEISMOGRAPH LOCATIONS

Location Number of each recorder site on the map corresponds to the Location Number above each seismogram on the record sections (Plates 2-11). Latitudes (North), longitudes (East), and elevations (meters) are listed for each seismograph location number.

U.S.G.S. SEISMIC STATION LOCATIONS

NEVADA TEST SITE 1985

LOCATION NUMBER	LATITUDE (DEG,MIN,SEC)	LONGITUDE (DEG,MIN,SEC)	ELEV (M)	LOCATION NUMBER	LATITUDE (DEG,MIN,SEC)	LONGITUDE (DEG,MIN,SEC)	ELEV (M)
1	36 48 14.3	116 51 20.1	1024	118	36 47 57.5	116 42 36.2	877
2	36 48 38.2	116 46 42.7	909	120	36 47 48.1	116 42 23.1	873
3	36 47 52.1	116 42 28.4	749	121	36 47 38.7	116 42 12.3	868
4	36 48 38.6	116 36 15.4	973	123	36 47 18.7	116 41 49.3	865
5	36 48 3.1	116 31 50.0	1030	125	36 47 29.7	116 41 10.2	902
6	36 39 37.2	116 23 52.3	798	126	36 47 39.0	116 40 56.5	935
7	36 35 0.1	116 25 25.8	755	127	36 47 48.0	116 40 40.3	963
8	36 30 30.3	116 26 34.1	701	128	36 47 57.3	116 40 24.6	999
9	36 26 23.3	116 25 25.6	670	129	36 48 5.8	116 40 8.8	1042
10	37 3 0.1	116 18 26.6	1420	130	36 48 12.9	116 39 53.2	1097
11	36 55 29.0	116 22 32.0	1182	131	36 48 25.6	116 39 43.6	1188
12	36 51 44.5	116 23 24.1	1078	132	36 48 47.9	116 37 13.4	1011
13	36 47 8.5	116 23 31.5	978	133	36 48 45.3	116 37 0.2	999
14	36 43 23.9	116 23 21.5	894	134	36 48 42.7	116 36 45.1	981
15	36 48 5.9	116 25 46.1	1072	135	36 48 40.5	116 36 29.5	975
16	36 48 8.9	116 20 53.8	1024	136	36 48 38.6	116 36 14.2	973
17	36 47 52.6	116 13 23.0	1171	137	36 48 32.3	116 35 59.1	972
18	36 48 29.5	116 5 34.1	1182	138	36 48 26.7	116 35 45.1	970
19	36 55 19.5	116 33 37.4	1284	139	36 48 20.0	116 35 30.4	969
20	36 35 53.4	116 34 37.8	731	140	36 48 15.6	116 35 14.9	967
21	36 34 59.3	116 30 19.6	736	141	36 48 9.8	116 35 0.5	966
22	36 34 14.8	116 21 3.9	771	142	36 48 4.8	116 34 45.6	964
23	36 33 49.4	116 16 22.4	774	143	36 47 59.3	116 34 30.6	963
24	36 33 14.6	116 12 9.4	762	144	36 47 53.7	116 34 14.8	960
25	36 33 42.1	116 7 27.7	850	145	36 47 48.2	116 34 1.3	960
26	36 35 32.0	115 56 25.3	1110	146	36 47 42.5	116 33 46.3	963
27	36 34 14.8	115 47 38.4	1018	147	36 47 35.9	116 33 32.0	963
29	36 35 26.7	116 39 35.9	870	148	36 47 31.0	116 33 15.2	966
41	36 59 37.8	116 35 24.9	1284	149	36 47 33.3	116 33 1.0	969
86	36 48 2.5	116 17 34.8	1072	150	36 47 38.1	116 32 47.4	975
87	36 48 58.9	116 18 6.8	1100	151	36 47 45.0	116 32 32.7	990
88	36 49 56.0	116 18 34.8	1158	152	36 47 52.0	116 32 18.4	1005
89	36 50 37.9	116 18 48.6	1246	153	36 47 58.4	116 32 5.4	1024
101	36 48 38.4	116 46 44.5	909	154	36 48 1.3	116 31 49.1	1030
102	36 48 36.1	116 46 31.4	908	155	36 48 6.4	116 31 35.0	1048
103	36 48 36.0	116 46 15.0	908	156	36 48 12.3	116 31 20.2	1057
104	36 48 33.8	116 45 58.9	908	157	36 48 20.9	116 31 5.6	1072
105	36 48 30.0	116 45 43.4	908	158	36 48 27.6	116 30 51.4	1085
106	36 48 26.8	116 45 27.5	905	159	36 48 37.2	116 30 40.1	1097
107	36 48 25.5	116 45 11.2	902	160	36 48 46.1	116 30 28.8	1109
108	36 48 16.4	116 44 55.9	896	161	36 48 54.3	116 30 18.1	1121
109	36 48 9.8	116 44 42.1	893	162	36 48 57.5	116 30 0.6	1133
110	36 48 3.5	116 44 28.9	890	163	36 49 6.6	116 29 44.1	1139
111	36 47 56.4	116 44 14.8	886	164	36 49 13.4	116 29 31.1	1152
112	36 47 48.9	116 44 0.1	883	165	36 49 20.6	116 29 17.1	1164
113	36 47 42.1	116 43 46.7	880	166	36 49 26.1	116 28 59.7	1176
114	36 47 35.1	116 43 32.9	877	167	36 49 36.5	116 28 51.2	1193
115	36 47 36.7	116 43 18.4	876	168	36 49 45.5	116 28 33.9	1225
116	36 47 44.6	116 43 5.7	872	169	36 49 42.6	116 28 1.2	1481
117	36 47 53.0	116 42 51.8	877	170	36 49 29.5	116 27 22.4	1243

U.S.G.S. SEISMIC STATION LOCATIONS

NEVADA TEST SITE 1985

LOCATION NUMBER	LATITUDE (DEG,MIN,SEC)	LONGITUDE (DEG,MIN,SEC)	ELEV (M)	LOCATION NUMBER	LATITUDE (DEG,MIN,SEC)	LONGITUDE (DEG,MIN,SEC)	ELEV (M)
171	36 49 24.1	116 27 8.6	1213	222	36 47 48.6	116 13 39.4	1158
172	36 49 15.5	116 26 55.4	1173	223	36 47 51.8	116 13 23.8	1171
173	36 48 48.2	116 26 36.2	1121	224	36 48 30.5	116 5 33.5	1198
175	36 48 24.9	116 26 17.3	1103	281	36 34 8.3	116 25 31.4	748
176	36 48 18.0	116 26 4.4	1091	282	36 34 23.1	116 25 29.6	749
177	36 48 5.1	116 25 40.8	1066	283	36 34 36.6	116 25 28.7	749
178	36 48 1.4	116 25 25.3	1051	284	36 34 47.3	116 25 26.3	752
179	36 47 57.7	116 25 9.6	1036	285	36 34 59.8	116 25 25.6	755
180	36 47 47.4	116 24 46.1	1011	286	36 35 14.8	116 25 23.0	758
181	36 48 30.7	116 24 16.1	1005	287	36 35 27.5	116 25 22.5	762
182	36 48 25.9	116 23 52.6	981	288	36 35 41.0	116 25 22.6	765
183	36 48 26.7	116 23 44.3	1005	289	36 35 54.2	116 25 23.8	768
184	36 48 34.1	116 23 21.3	1008	290	36 36 7.5	116 25 25.8	738
185	36 48 37.4	116 23 5.3	1011	291	36 36 19.5	116 25 21.5	771
186	36 48 34.5	116 22 50.4	1011	292	36 36 31.7	116 25 14.3	774
187	36 48 31.4	116 22 34.4	1011	293	36 36 43.1	116 25 7.5	777
188	36 48 28.1	116 22 19.5	1016	294	36 36 55.2	116 25 0.6	780
189	36 48 24.8	116 22 4.1	1018	295	36 37 6.4	116 24 53.5	783
190	36 48 21.1	116 21 48.4	1019	296	36 37 18.7	116 24 46.6	786
191	36 48 17.7	116 21 32.8	1021	297	36 37 30.4	116 24 40.0	792
192	36 48 14.4	116 21 17.5	1024	298	36 37 42.6	116 24 31.8	792
193	36 48 10.7	116 21 1.8	1024	299	36 37 54.2	116 24 25.6	798
194	36 48 7.7	116 20 46.4	1025	300	36 38 6.8	116 24 19.3	798
195	36 48 3.9	116 20 30.2	1025	301	36 38 18.3	116 24 12.3	804
196	36 48 0.9	116 20 14.3	1025	302	36 38 30.0	116 24 5.1	808
197	36 47 57.5	116 19 59.3	1024	303	36 38 41.9	116 23 58.3	810
198	36 47 53.9	116 19 44.1	1027	304	36 38 54.8	116 23 56.8	813
199	36 47 50.6	116 19 28.1	1033	305	36 39 4.6	116 23 55.1	1123
200	36 47 47.1	116 19 11.8	1036	306	36 39 17.7	116 23 53.7	821
201	36 47 42.0	116 18 59.3	1036	307	36 39 31.6	116 23 52.1	826
202	36 47 32.8	116 18 45.5	1033	308	36 39 43.7	116 23 50.4	829
203	36 47 24.6	116 18 32.3	1033	309	36 39 57.1	116 23 48.8	835
204	36 47 16.4	116 18 19.3	1033	310	36 40 9.8	116 23 47.3	835
205	36 47 8.5	116 18 6.3	1036	311	36 39 37.0	116 23 51.2	798
206	36 47 0.4	116 17 53.7	1036	312	36 40 25.3	116 24 5.2	841
207	36 47 0.2	116 17 38.2	1036	313	36 40 37.4	116 23 58.7	844
208	36 47 3.1	116 17 22.6	1042	314	36 40 49.8	116 23 52.9	847
209	36 47 6.4	116 17 6.6	1048	315	36 41 2.1	116 23 46.6	853
210	36 47 9.0	116 16 49.5	1054	316	36 41 13.9	116 23 40.0	856
211	36 47 12.3	116 16 33.5	1054	317	36 41 23.0	116 23 35.2	859
212	36 47 16.3	116 16 17.3	1066	318	36 41 35.0	116 23 28.7	862
213	36 47 19.9	116 15 59.4	1066	319	36 41 47.1	116 23 22.6	865
214	36 47 22.5	116 15 47.3	1072	320	36 41 58.3	116 23 16.8	871
215	36 47 25.3	116 15 33.0	1085	321	36 42 11.2	116 23 10.1	874
216	36 47 28.2	116 15 18.9	1091	322	36 42 23.1	116 23 3.8	880
217	36 47 31.6	116 14 58.9	1104	323	36 42 42.3	116 23 23.8	883
218	36 47 35.1	116 14 43.0	1112	324	36 42 55.2	116 23 22.2	888
219	36 47 38.4	116 14 27.1	1126	325	36 43 8.1	116 23 21.1	893
220	36 47 41.8	116 14 11.1	1136	326	36 43 22.6	116 23 19.6	899
221	36 47 45.2	116 13 55.1	1146	327	36 43 30.9	116 23 20.4	902

U.S.G.S. SEISMIC STATION LOCATIONS

NEVADA TEST SITE 1985

LOCATION NUMBER	LATITUDE (DEG,MIN,SEC)	LONGITUDE (DEG,MIN,SEC)	ELEV (M)
328	36 43 44.9	116 23 19.7	906
329	36 43 57.9	116 23 18.5	911
330	36 44 11.0	116 23 17.5	915
331	36 44 24.0	116 23 16.8	920
332	36 44 37.0	116 23 15.8	926
333	36 44 52.0	116 23 16.8	931
334	36 45 2.4	116 23 21.9	938
335	36 45 12.9	116 23 24.4	938
336	36 45 25.5	116 23 24.3	944
337	36 45 38.9	116 23 24.8	944
338	36 45 56.7	116 23 19.8	954
339	36 46 10.1	116 23 20.9	957
340	36 46 23.3	116 23 21.3	963
341	36 46 36.3	116 23 22.1	969
342	36 46 49.2	116 23 22.8	972
343	36 47 2.1	116 23 22.5	975
344	36 47 15.4	116 23 24.8	981
345	36 47 28.5	116 23 26.5	987
346	36 47 41.6	116 23 28.7	990
347	36 47 54.6	116 23 30.1	996
348	36 48 7.5	116 23 31.9	999
349	36 48 20.3	116 23 33.4	1005
350	36 48 37.6	116 23 40.1	1005
351	36 48 49.3	116 23 43.7	1005
352	36 49 6.0	116 23 47.5	1004
353	36 49 16.7	116 23 53.5	1005
354	36 49 31.8	116 23 56.8	1021
355	36 49 46.4	116 23 52.1	1030
356	36 49 59.6	116 23 50.7	1042
357	36 50 14.4	116 23 54.3	1050
358	36 50 30.1	116 24 7.6	1060
359	36 50 43.4	116 24 4.2	1066
360	36 50 53.4	116 23 55.7	1069
361	36 51 4.5	116 23 47.2	1074
362	36 51 16.4	116 23 38.8	1080
363	36 51 28.5	116 23 29.8	1085
364	36 51 43.1	116 23 22.0	1078
365	36 51 48.5	116 23 28.4	1085
366	36 52 1.0	116 23 27.8	1082
367	36 52 14.2	116 23 29.9	1091
368	36 52 26.5	116 23 30.0	1097
369	36 52 41.0	116 23 35.2	1115
370	36 52 53.1	116 23 29.9	1124
371	36 53 4.3	116 23 19.6	1133
372	36 53 15.0	116 23 19.0	1152
373	36 53 22.5	116 23 5.6	1139
374	36 53 31.7	116 23 3.4	1146
375	36 53 48.8	116 22 48.5	1133
376	36 54 2.0	116 22 44.1	1146
377	36 54 11.2	116 22 40.0	1152

U.S.G.S. SEISMIC STATION LOCATIONS

NEVADA TEST SITE 1985

LOCATION NUMBER	LATITUDE (DEG,MIN,SEC)	LONGITUDE (DEG,MIN,SEC)	ELEV (M)
378	36 54 25.9	116 22 33.9	1155
379	36 54 39.0	116 22 30.4	1176
380	36 54 51.1	116 22 31.1	1170
381	36 55 11.9	116 22 29.1	1167
382	36 55 17.6	116 22 30.4	1182
383	36 55 30.8	116 22 32.4	1182
384	36 55 53.3	116 22 33.2	1188
385	36 56 5.1	116 22 34.7	1194
386	36 56 15.3	116 22 25.2	1167
387	36 56 28.7	116 22 32.8	1205
388	36 56 38.8	116 22 30.4	1214
401	36 35 31.9	115 56 25.0	1110
402	36 35 46.7	115 56 52.0	1110
403	36 35 56.2	115 57 24.0	1100
404	36 36 4.4	115 57 54.2	1100
405	36 36 7.0	115 58 39.3	1100
406	36 36 1.4	115 59 12.9	1097
407	36 35 51.0	115 59 46.6	1100
408	36 35 47.1	116 0 29.2	1050
409	36 35 40.7	116 1 2.6	1019
410	36 35 34.2	116 1 39.8	999
411	36 35 23.0	116 2 36.0	950
412	36 35 17.4	116 3 5.5	940
413	36 35 6.4	116 3 34.6	919
414	36 34 36.3	116 4 10.5	910
415	36 34 8.2	116 4 42.9	890
416	36 33 44.8	116 5 18.8	875
417	36 33 41.6	116 5 53.8	865
418	36 33 46.2	116 6 26.0	860
419	36 33 49.0	116 6 54.0	860
420	36 33 41.7	116 7 26.7	860
421	36 33 54.3	116 7 31.1	860
422	36 33 56.5	116 7 47.0	854
423	36 33 58.4	116 8 0.9	850
424	36 34 1.1	116 8 18.7	850
425	36 34 3.2	116 8 35.1	850
426	36 34 5.9	116 8 53.8	846
427	36 34 8.1	116 9 8.1	846
428	36 34 9.2	116 9 24.6	846
429	36 34 12.1	116 9 38.5	840
430	36 34 7.3	116 9 53.9	829
431	36 34 0.2	116 10 11.4	819
432	36 33 52.2	116 10 30.9	809
433	36 33 45.6	116 10 48.4	804
434	36 33 39.3	116 11 3.3	794
435	36 33 31.9	116 11 22.0	784
436	36 33 26.8	116 11 34.6	779
437	36 33 20.1	116 11 51.6	769
438	36 33 13.9	116 12 9.5	765
439	36 33 12.3	116 12 23.7	759

U.S.G.S. SEISMIC STATION LOCATIONS

NEVADA TEST SITE 1985

LOCATION NUMBER	LATITUDE (DEG,MIN,SEC)	LONGITUDE (DEG,MIN,SEC)	ELEV (M)
440	36 33 10.6	116 12 39.5	754
441	36 33 9.0	116 12 56.8	750
442	36 33 10.2	116 13 11.7	750
443	36 33 11.5	116 13 28.1	744
444	36 33 14.3	116 13 44.7	744
445	36 33 17.7	116 14 1.4	744
446	36 33 25.1	116 14 19.3	744
447	36 33 14.1	116 14 36.0	744
448	36 33 19.3	116 14 55.9	744
449	36 33 29.2	116 15 26.7	758
450	36 33 35.3	116 15 44.5	762
451	36 33 41.3	116 16 2.3	766
452	36 33 48.4	116 16 22.3	774
453	36 33 52.2	116 16 34.7	777
454	36 33 57.9	116 16 49.0	783
455	36 34 1.5	116 17 2.5	783
456	36 34 4.4	116 17 17.8	786
457	36 34 7.0	116 17 34.4	786
458	36 34 9.6	116 17 50.4	795
459	36 34 10.8	116 18 6.8	797
460	36 34 7.9	116 18 23.3	792
461	36 34 9.4	116 18 38.7	801
462	36 34 11.1	116 18 53.7	810
463	36 34 12.2	116 19 8.1	801
464	36 34 12.1	116 19 24.5	789
465	36 34 12.3	116 19 43.3	783
466	36 34 12.8	116 19 59.5	780
467	36 34 13.2	116 20 15.6	780
468	36 34 13.4	116 20 31.9	777
469	36 34 14.1	116 20 47.6	774
470	36 34 14.1	116 21 3.7	771
471	36 34 15.6	116 21 21.2	765
472	36 34 16.1	116 21 38.0	762
473	36 34 16.1	116 21 55.0	758
474	36 34 16.6	116 22 11.0	758
475	36 34 16.9	116 22 27.7	752
476	36 34 16.7	116 22 42.4	750
477	36 34 24.4	116 22 59.4	752
478	36 34 29.4	116 23 16.4	752
479	36 34 33.0	116 23 32.1	755
480	36 34 37.3	116 23 49.2	757
481	36 34 42.3	116 24 6.5	757
482	36 34 46.2	116 24 19.2	757
483	36 34 52.2	116 24 37.7	758
485	36 34 59.6	116 25 23.6	755
486	36 35 0.0	116 25 46.1	754
487	36 35 0.1	116 26 2.5	752
488	36 34 59.8	116 26 19.1	751
489	36 35 0.0	116 26 35.4	749
490	36 34 59.9	116 26 51.5	749

U.S.G.S. SEISMIC STATION LOCATIONS

NEVADA TEST SITE 1985

LOCATION NUMBER	LATITUDE (DEG,MIN,SEC)	LONGITUDE (DEG,MIN,SEC)	ELEV (M)
491	36 35 0.0	116 27 7.8	749
492	36 35 0.1	116 27 23.8	746
493	36 34 60.0	116 27 39.7	746
494	36 34 59.8	116 27 56.0	743
495	36 34 59.4	116 28 11.9	743
496	36 35 0.1	116 28 28.4	742
497	36 34 59.6	116 28 44.4	740
498	36 34 59.9	116 29 0.7	739
499	36 34 59.9	116 29 17.3	737
500	36 34 59.8	116 29 32.8	737
501	36 34 59.8	116 29 49.1	737
502	36 34 58.5	116 30 4.3	737
503	36 34 57.5	116 30 23.1	736
504	36 34 58.0	116 30 36.4	734
505	36 34 58.6	116 30 53.0	734
506	36 34 58.3	116 31 9.1	734
507	36 34 58.3	116 31 25.2	731
508	36 34 58.3	116 31 41.5	731
509	36 34 58.6	116 31 57.9	731
510	36 34 59.0	116 32 12.9	731
511	36 34 58.7	116 32 30.3	729
512	36 34 59.3	116 32 45.9	728
513	36 34 58.7	116 33 1.7	728
514	36 34 59.1	116 33 17.8	728
515	36 35 2.6	116 33 35.1	728
516	36 34 59.1	116 33 51.7	728
517	36 34 58.7	116 34 8.3	728
518	36 34 59.2	116 34 23.9	728
519	36 35 54.3	116 34 38.6	731



## APPENDIX B

SHOT LOCATIONS AND TIMES (p 15), TAPE-GRADE CODE (p 16), and DKDAT data files (pp 17-63).

### SHOT LOCATIONS AND TIMES

Shots are listed in the order that they were fired (Shot Number). Shotpoint Numbers correspond to numbers plotted on the map (Plate 1). Shot time includes the Julian Day (D), hour, minute, and second (H, M, S) in Greenwich Mean Time (GMT).

### TAPE-GRADE CODE

A number is assigned to each cassette tape as it is digitized. These codes appear in the last column of the DKDAT data file.

### DKDAT data file

DKDAT data file is organized by team-shots, and listed in the order of shots fired (Shot Number). A team-shot is twenty recordings of each shot accomplished by each of six teams. Header information for each team-shot includes team numbers, shot numbers, shotpoint numbers, and shot times. Information in columns includes station location numbers (LOC), distance from the shots (DIST; in km), azimuths (AZIM; in degrees from North), unit numbers (UNIT), chronometer corrections (CHRON; in milliseconds; these subtracted from chronometer readings during digitization), channel digitized and gain settings of the three channels (C1, C2, C3), and tape grade codes.

SHOT LOCATIONS AND TIMES

NEVADA TEST SITE 1985

SHOT NO.	DATE	SHOT POINT	LATITUDE (East)	LONGITUDE (North)	SHOT TIME				SIZE (kg)
					DAY	HR	MN	SEC	
1.	Feb 8, 1985	18	36 48.4922	116 5.5684	040	03	31	0.012	1855
2.	Feb 8, 1985	15	36 48.0979	116 25.7690	040	03	33	0.009	927
3.	Feb 8, 1985	2	36 48.6375	116 46.7119	040	03	35	0.013	927
4.	Feb 8, 1985	5*	36 48.0510	116 31.8330	040	03	37	0.010	927
5.	Feb 8, 1985	19*	36 55.3250	116 33.6230	040	03	39	0.008	1360
6.	Feb 8, 1985	17	36 47.8770	116 13.3838	040	05	31	0.951	927
7.	Feb 8, 1985	16	36 48.1487	116 20.8970	040	05	33	0.007	927
8.	Feb 8, 1985	1	36 48.2380	116 51.3350	040	05	35	0.016	1855
9.	Feb 8, 1985	3	36 47.8677	116 42.4741	040	05	37	0.008	927
10.	Feb 8, 1985	4	36 48.6426	116 36.2568	040	05	39	0.010	927
11.	Feb 12, 1985	20	36 35.8894	116 34.6299	044	03	31	0.008	927
12.	Feb 12, 1985	7	36 35.0015	116 25.4292	044	03	33	0.011	927
13.	Feb 12, 1985	23	36 33.8230	116 16.3726	044	03	35	0.006	927
14.	Feb 12, 1985	25	36 33.7009	116 7.4619	044	03	37	0.010	927
15.	Feb 12, 1985	27	36 34.2468	115 47.6406	044	03	39	0.010	1855
16.	Feb 12, 1985	26	36 35.5330	115 56.4224	044	05	31	0.012	927
17.	Feb 12, 1985	21	36 34.9885	116 30.3267	044	05	33	0.011	927
18.	Feb 12, 1985	22	36 34.2466	116 21.0645	044	05	35	0.006	927
19.	Feb 12, 1985	24	36 33.2427	116 12.1563	044	05	37	0.009	927
20.	Feb 12, 1985	29	36 35.4446	116 39.5977	044	05	39	0.008	1855
21.	Feb 15, 1985	19*	36 55.3250	116 33.6230	047	03	31	0.010	1360
22.	Feb 15, 1985	11	36 55.4839	116 22.5337	047	03	33	0.016	927
23.	Feb 15, 1985	8	36 30.5051	116 26.5684	047	03	35	0.018	927
24.	Feb 15, 1985	9	36 26.3879	116 25.4268	047	03	36	56.68	1890
25.	Feb 15, 1985	10	37 3.0010	116 18.4434	047	03	39	0.084	1855
26.	Feb 15, 1985	5*	36 48.0510	116 31.8330	047	05	31	0.012	927
27.	Feb 15, 1985	12	36 51.7417	116 23.4019	047	05	33	0.005	927
28.	Feb 15, 1985	6	36 39.6199	116 23.8711	047	05	35	0.012	927
29.	Feb 15, 1985	7	36 35.0015	116 25.4292	047	05	37	0.012	927
30.	Feb 15, 1985	14	36 43.3987	116 23.3579	047	07	01	0.006	927
31.	Feb 15, 1985	13	36 47.1411	116 23.5244	047	07	03	0.018	927

\* Fan Shot

TAPE GRADE CODE

- 0 - GOOD
- 1 - TAPE DID NOT RUN
- 2 - TAPE RAN BUT NO SIGNAL
- 3 - TAPE SKIPPED RECORD TIME
- 4 - TAPE RAN FAST FORWARD; NO SIGNAL
- 5 - TAPE REWOUND AND ERASED
- 6 - WEAK SIGNAL; CANNOT READ TIME CODE; LOW RECORD LEVEL
- 7 - NOISE, CONTINUOUS CALIBRATION OR PERIODIC OFFSETS
- 8 - NOISE, SINUSOIDAL
- 9 - NOISE, SPIKE
- 10 - NOISE, WWVB CROSS-FEED
- 11 - NOISE, PERIODIC TICKS
- 12 - NOISE, RANDOM
- 13 - BAD CLOCK
- 14 - OFF FREQUENCY, TAPE SPEED PROBLEM?
- 16 - INCOMPLETE RECORD; RECORDER STOPPED
- 17 - NOISY OR WEAK TIME CODE
- 19 - TURNED ON TOO EARLY
- 20 - IN FOR REPAIR; NOT DEPLOYED
- 21 - GEOPHONE DISCONNECTED OR SHORTED (?)
- 22 - WRONG UNIT NUMBER
- 23 - WRONG GAIN SETTINGS
- 24 - TURNED ON TOO LATE
- 25 - BAD GEOPHONE TEST
- 26 - ONE OR MORE CHANNELS MISSING
- 27 - NOISY OR WEAK WWVB
- 28 - INSTRUMENT OR TAPE DAMAGED IN FIELD
- 29 - WRONG TIME DURING TURN-ON
- 30 - DIGITIZED WITHOUT CALIBRATION
- 31 - AMPLIFIER OUT OF BALANCE
- 32 - LOCATION NOT ON MAP; WRONG LOCATION

DKDAT FIELD DATA TABLE

NEVADA TEST SITE 1985  
 SHOT NUMBER 1 SHOT POINT 18 TEAM 1  
 SHOT TIME: 40: 3:31: 0.012

LOC	DIST(KM)	AZIM	UNIT	CHRON	CHAN	C1	C2	C3	TAPE	GRADE
1	184	26.454	270.3	1	8	2	30	12	68	0
2	183	27.024	269.8	2	2	2	30	12	68	0
3	182	27.229	269.8	3	6	2	30	12	88	0
4	181	27.813	270.1	4	-17	2	30	12	88	0
5	180	28.588	267.4	5	7	2	30	12	88	0
6	179	29.157	268.1	6	1	2	30	12	88	0
7	178	29.542	268.3	7	3	2	30	12	88	0
8	177	29.921	268.6	8	5	2	30	12	88	13
9	176	30.500	269.3	9	15	2	30	12	88	6
10	175	30.816	269.7	10	-4	2	30	12	88	0
11	173	31.289	271.1	11	-22	2	30	12	68	0
12	172	31.789	272.6	12	7	2	30	12	68	0
13	171	32.129	273.0	13	0	2	30	12	48	1
14	170	32.480	273.3	14	7	2	30	12	48	0
15	169	33.464	273.9	15	-58	2	30	12	48	0
16	168	34.277	273.9	16	-7	1	30	12	48	0
17	1	68.071	269.6	17	14	2	30	12	48	0
18	165	35.303	272.6	18	-17	2	30	12	48	0
19	166	34.882	272.9	19	17	2	30	12	48	0
20	167	34.689	273.4	20	-8	1	30	12	48	0

DKDAT FIELD DATA TABLE

NEVADA TEST SITE 1985  
 SHOT NUMBER 1 SHOT POINT 18 TEAM 3  
 SHOT TIME: 40: 3:31: 0.012

LOC	DIST(KM)	AZIM	UNIT	CHRON	CHAN	C1	C2	C3	TAPE	GRADE
1	204	19.104	263.2	41	-26	3	30	12	48	0
2	203	19.395	264.1	42	13	3	30	12	68	0
3	202	19.696	264.9	43	9	1	30	12	68	0
4	201	20.015	265.8	44	16	1	30	12	68	0
5	200	20.313	266.3	45	0	1	30	12	68	0
6	199	20.710	266.7	46	21	1	30	12	68	0
7	198	21.099	267.0	47	5	2	30	12	88	0
8	197	21.469	267.4	48	7	2	30	12	88	0
9	196	21.837	267.7	49	15	1	30	12	88	0
10	195	22.228	268.0	50	-26	1	30	12	88	0
11	194	22.625	268.3	51	17	1	30	12	88	0
12	193	23.003	268.6	52	-7	2	30	12	88	0
13	192	23.389	268.9	53	11	2	30	12	88	13
14	191	23.768	269.1	54	-4	2	30	12	88	0
15	190	24.152	269.4	55	3	2	30	12	88	0
16	189	24.540	269.7	56	24	2	30	12	88	0
17	188	24.929	269.9	57	18	1	30	12	68	0
18	187	25.291	270.1	58	17	1	30	12	68	0
19	186	25.689	270.3	59	0	2	30	12	68	0
20	185	26.057	270.5	60	-5	2	30	12	68	0

DKDAT FIELD DATA TABLE

NEVADA TEST SITE 1985  
 SHOT NUMBER 1 SHOT POINT 18 TEAM 2  
 SHOT TIME: 40: 3:31: 0.012

LOC	DIST(KM)	AZIM	UNIT	CHRON	CHAN	C1	C2	C3	TAPE	GRADE
1	224	0.035	25.6	21	-30	3	30	12	88	0
2	223	11.701	264.3	22	11	1	30	12	88	0
3	222	12.096	264.0	23	32	2	30	12	88	0
4	221	12.493	263.7	24	0	1	30	12	88	0
5	220	12.899	263.5	25	12	1	30	12	88	0
6	219	13.307	263.2	26	0	1	30	12	88	0
7	218	13.710	263.0	27	2	1	30	12	68	0
8	217	14.114	262.7	28	-78	1	30	12	68	0
9	216	14.619	262.6	29	14	2	30	12	68	0
10	215	14.977	262.4	30	6	1	30	12	68	0
11	214	15.340	262.3	31	6	1	30	12	68	0
12	213	15.648	262.1	32	-12	1	30	12	48	0
13	212	16.105	261.9	33	35	1	30	12	48	0
14	211	16.518	261.7	34	14	1	30	12	48	0
15	210	16.927	261.6	35	-6	1	30	12	48	0
16	209	17.358	261.5	36	5	1	30	12	48	0
17	208	17.765	261.4	37	5	1	30	12	48	0
18	207	18.161	261.3	38	2	1	30	12	48	0
19	206	18.541	261.5	39	-2	1	30	12	48	0
20	205	18.815	262.4	40	7	1	30	12	48	0

DKDAT FIELD DATA TABLE

NEVADA TEST SITE 1985  
 SHOT NUMBER 1 SHOT POINT 18 TEAM 4  
 SHOT TIME: 40: 3:31: 0.012

LOC	DIST(KM)	AZIM	UNIT	CHRON	CHAN	C1	C2	C3	TAPE	GRADE
1	101	61.235	270.3	61	12	2	30	12	88	0
2	102	60.912	270.2	62	-2	2	30	12	88	0
3	103	60.505	270.2	63	11	2	30	12	88	0
4	104	60.106	270.1	64	25	2	30	12	88	0
5	105	59.721	270.0	65	-2	2	30	12	88	0
6	106	59.327	269.9	66	9	2	30	12	68	0
7	107	58.923	269.9	67	3	2	30	12	68	0
8	108	58.546	269.6	68	0	2	30	12	68	0
9	109	58.208	269.4	69	0	2	30	12	68	0
10	110	57.882	269.2	70	42	3	30	12	68	0
11	111	57.537	269.0	71	19	2	30	12	48	0
12	112	57.179	268.7	72	20	2	30	12	48	0
13	113	56.852	268.5	73	-27	2	30	12	48	7
14	114	56.516	268.3	74	1	2	30	12	48	0
15	116	55.835	268.6	75	17	1	30	12	48	6
16	117	55.483	268.8	76	-4	1	30	12	48	0
17	135	45.992	270.4	77	8	2	30	12	48	0
18	134	46.379	270.5	78	-3	2	30	12	48	0
19	133	46.755	270.6	79	8	2	30	12	48	0
20	132	47.082	270.7	80	15	2	30	12	48	0

DKDAT FIELD DATA TABLE

NEVADA TEST SITE 1985  
 SHOT NUMBER 1 SHOT POINT 18 TEAM 5  
 SHOT TIME: 40: 3:31: 0.012

LOC	DIST(KM)	AZIM	UNIT	CHRON	CHAN	C1	C2	C3	TAPE	GRADE
1	42.341	268.3	81	-35	2	30	12	68	0	0
2	41.975	268.0	82	-5	2	30	12	68	1	1
3	41.628	267.7	83	-6	2	30	12	68	0	0
4	41.219	267.5	84	-9	2	30	12	68	0	0
5	40.864	267.6	85	24	2	30	12	88	0	0
6	40.521	267.8	86	-8	2	30	12	88	0	0
7	40.147	268.0	87	15	2	30	12	88	0	0
8	39.787	268.3	88	21	2	30	12	88	0	0
9	39.459	268.6	89	-7	2	30	12	88	0	0
10	39.053	268.7	90	13	2	30	12	88	0	0
11	38.701	268.9	91	11	2	30	12	88	0	0
12	38.329	269.2	92	0	2	30	12	88	0	0
13	37.964	269.6	93	11	2	30	12	88	0	0
14	37.611	269.9	94	24	2	30	12	88	28	28
15	37.330	270.4	95	-4	2	30	12	88	0	0
16	37.053	270.8	96	-6	2	30	12	68	0	0
17	36.792	271.2	97	1	1	30	12	68	0	0
18	36.358	271.4	98	-24	2	30	12	68	0	0
19	35.956	271.8	99	21	2	30	12	68	0	0
20	35.644	272.2	100	13	2	30	12	68	6	6

DKDAT FIELD DATA TABLE

NEVADA TEST SITE 1985  
 SHOT NUMBER 2 SHOT POINT 15 TEAM 1  
 SHOT TIME: 40: 3:33: 0.009

LOC	DIST(KM)	AZIM	UNIT	CHRON	CHAN	C1	C2	C3	TAPE	GRADE
1	3.693	76.4	1	8	3	30	12	68	0	0
2	3.087	78.0	2	2	3	30	12	68	0	0
3	2.882	77.6	3	6	1	30	12	88	0	0
4	2.359	71.0	4	-17	1	30	12	88	0	0
5	1.592	110.9	5	7	2	30	12	88	0	0
6	0.939	105.6	6	1	1	30	12	88	0	0
7	0.534	105.1	7	4	3	30	12	88	0	0
8	0.136	100.6	8	5	3	30	12	88	13	13
9	0.587	309.4	9	15	3	30	12	88	0	0
10	0.969	307.2	10	-4	2	30	12	88	0	0
11	1.800	316.4	11	-22	3	30	12	68	0	0
12	2.749	321.3	12	7	3	30	12	68	0	0
13	3.162	319.7	13	0	0	30	12	48	1	1
14	3.513	317.2	14	7	2	30	12	48	0	0
15	4.484	311.7	15	-58	3	30	12	48	0	0
16	5.170	306.5	16	-7	3	30	12	48	0	0
17	38.028	270.4	17	14	2	30	12	48	0	0
18	5.713	293.8	18	-17	3	30	12	48	0	0
19	5.398	297.3	19	17	1	30	12	48	0	0
20	5.371	301.3	20	-8	3	30	12	48	0	0

DKDAT FIELD DATA TABLE

NEVADA TEST SITE 1985  
 SHOT NUMBER 1 SHOT POINT 18 TEAM 6  
 SHOT TIME: 40: 3:31: 0.012

LOC	DIST(KM)	AZIM	UNIT	CHRON	CHAN	C1	C2	C3	TAPE	GRADE
1	55.092	269.0	101	20	2	30	12	88	0	0
2	54.776	268.7	102	15	2	30	12	88	0	0
3	54.515	268.4	103	0	2	30	12	88	6	6
4	53.970	267.7	104	-4	2	30	12	88	0	0
5	52.988	268.0	105	33	2	30	12	88	0	0
6	52.638	268.3	106	0	2	30	12	88	0	0
7	52.227	268.6	107	44	2	30	12	68	0	0
8	51.832	268.9	108	4	2	30	12	68	0	0
9	51.435	269.2	109	6	2	30	12	68	0	0
10	51.044	269.4	110	22	1	30	12	68	0	0
11	50.804	269.9	111	62	2	30	12	68	0	0
12	45.613	270.4	112	61	2	30	12	88	1	1
13	45.239	270.1	113	-14	2	30	12	88	0	0
14	44.893	269.9	114	3	2	30	12	88	0	0
15	44.528	269.6	115	9	2	30	12	88	0	0
16	44.146	269.4	116	17	2	30	12	88	0	0
17	43.790	269.2	117	-10	2	30	12	88	0	0
18	43.423	269.0	118	16	2	30	12	68	0	0
19	43.057	268.8	119	5	2	30	12	68	0	0
20	42.670	268.5	120	2	2	30	12	68	0	0

DKDAT FIELD DATA TABLE

NEVADA TEST SITE 1985  
 SHOT NUMBER 2 SHOT POINT 15 TEAM 2  
 SHOT TIME: 40: 3:33: 0.009

LOC	DIST(KM)	AZIM	UNIT	CHRON	CHAN	C1	C2	C3	TAPE	GRADE
1	224	30.069	88.6	21	-30	2	30	12	88	0
2	223	18.408	91.3	22	11	1	30	12	88	0
3	222	18.024	91.7	23	32	2	30	12	88	0
4	221	17.640	92.1	24	0	1	30	12	88	0
5	220	17.248	92.5	25	12	1	30	12	88	0
6	219	16.855	92.9	26	0	1	30	12	88	0
7	218	16.467	93.3	27	2	1	30	12	68	0
8	217	16.081	93.8	28	-78	1	30	12	68	0
9	216	15.594	94.3	29	14	1	30	12	68	0
10	215	15.253	94.7	30	6	1	30	12	68	0
11	214	14.907	95.1	31	6	1	30	12	68	1
12	213	14.616	95.6	32	-12	1	30	12	48	0
13	212	14.185	96.2	33	35	1	30	12	48	0
14	211	13.801	96.9	34	14	1	30	12	48	0
15	210	13.420	97.5	35	-6	1	30	12	48	0
16	209	13.011	98.1	36	5	1	30	12	48	0
17	208	12.633	98.8	37	5	1	30	12	48	0
18	207	12.266	99.5	38	2	1	30	12	48	0
19	206	11.885	99.8	39	-2	1	30	12	48	0
20	205	11.536	98.8	40	7	1	30	12	48	0

DKDAT FIELD DATA TABLE

NEVADA TEST SITE 1985  
 SHOT NUMBER 2 SHOT POINT 15 TEAM 3  
 SHOT TIME: 40: 3:33: 0.009

LOC	DIST(KM)	AZIM	UNIT	CHRON	CHAN	C1	C2	C3	TAPE	GRADE
1	204	11.182	97.8	41	-26	3	30	12	48	0
2	203	10.831	96.7	42	13	1	30	12	68	0
3	202	10.479	95.6	43	9	1	30	12	68	0
4	201	10.112	94.2	44	16	1	30	12	68	0
5	200	9.792	93.4	45	0	1	30	12	68	0
6	199	9.383	92.9	46	21	1	30	12	68	0
7	198	8.983	92.4	47	5	1	30	12	88	0
8	197	8.603	91.7	48	7	2	30	12	88	0
9	196	8.227	91.1	49	15	1	30	12	88	0
10	195	7.832	90.4	50	-26	1	30	12	88	0
11	194	7.430	89.6	51	17	1	30	12	88	0
12	193	7.051	88.8	52	-7	3	30	12	88	0
13	192	6.665	87.8	53	11	1	30	12	88	0
14	191	6.290	86.7	54	-4	1	30	12	88	0
15	190	5.912	85.4	55	3	1	30	12	88	0
16	189	5.536	84.0	56	24	2	30	12	88	0
17	188	5.169	82.4	57	18	3	30	12	68	0
18	187	4.817	80.6	58	17	1	30	12	68	0
19	186	4.443	78.6	59	0	3	30	12	68	0
20	185	4.104	76.3	60	-5	3	30	12	68	0

DKDAT FIELD DATA TABLE

NEVADA TEST SITE 1985  
 SHOT NUMBER 2 SHOT POINT 15 TEAM 4  
 SHOT TIME: 40: 3:33: 0.009

LOC	DIST(KM)	AZIM	UNIT	CHRON	CHAN	C1	C2	C3	TAPE	GRADE
1	101	31.209	271.8	61	12	2	30	12	88	0
2	102	30.884	271.7	62	-2	2	30	12	88	0
3	103	30.477	271.7	63	11	2	30	12	88	0
4	104	30.076	271.6	64	25	2	30	12	88	0
5	105	29.688	271.4	65	-2	2	30	12	88	0
6	106	29.292	271.3	66	9	2	30	12	68	0
7	107	28.887	271.2	67	3	2	30	12	68	0
8	108	28.503	270.7	68	0	2	30	12	68	0
9	109	28.161	270.2	69	0	2	30	12	68	0
10	110	27.833	269.8	70	42	2	30	12	68	0
11	111	27.485	269.4	71	19	2	30	12	48	0
12	112	27.126	268.9	72	20	2	30	12	48	0
13	113	26.799	268.4	73	-27	3	30	12	48	0
14	114	26.463	267.9	74	1	2	30	12	48	0
15	116	25.781	268.5	75	17	2	30	12	48	0
16	117	25.431	269.1	76	-4	1	30	12	48	0
17	135	15.984	273.8	77	8	2	30	12	48	0
18	134	16.375	274.0	78	-3	1	30	12	48	0
19	133	16.755	274.2	79	8	1	30	12	48	0
20	132	17.086	274.3	80	15	1	30	12	48	0

DKDAT FIELD DATA TABLE

NEVADA TEST SITE 1985  
 SHOT NUMBER 2 SHOT POINT 15 TEAM 5  
 SHOT TIME: 40: 3:33: 0.009

LOC	DIST(KM)	AZIM	UNIT	CHRON	CHAN	C1	C2	C3	TAPE	GRADE
1	145	12.289	267.5	81	-35	1	30	12	68	0
2	146	11.926	266.5	82	-6		30	12	68	1
3	147	11.586	265.4	83	25	1	30	12	68	0
4	148	11.186	264.5	84	-9	1	30	12	68	0
5	149	10.828	264.7	85	24	1	30	12	88	0
6	150	10.479	265.3	86	-8	1	30	12	88	0
7	151	10.099	266.3	87	15	1	30	12	88	0
8	152	9.735	267.5	88	21	1	30	12	88	0
9	153	9.405	268.6	89	-7	1	30	12	88	0
10	154	9.000	269.1	90	13	1	30	12	88	0
11	155	8.650	270.1	91	11	1	30	12	88	1
12	156	8.284	271.4	92	0	1	30	12	88	0
13	157	7.933	273.4	93	11	1	30	12	88	0
14	158	7.597	275.1	94	24		30	12	88	28
15	159	7.350	277.6	95	-4	1	30	12	88	0
16	160	7.116	280.0	96	-6	1	30	12	68	0
17	161	6.906	282.5	97	1	1	30	12	68	0
18	162	6.504	284.2	98	-24	1	30	12	68	0
19	163	6.187	287.6	99	21	1	30	12	68	0
20	164	5.953	290.5	100	13	1	30	12	68	0

DKDAT FIELD DATA TABLE

NEVADA TEST SITE 1985  
 SHOT NUMBER 2 SHOT POINT 15 TEAM 6  
 SHOT TIME: 40: 3:33: 0.009

LOC	DIST(KM)	AZIM	UNIT	CHRON	CHAN	C1	C2	C3	TAPE	GRADE
1	118	25.041	269.4	101	21	2	30	12	88	0
2	120	24.722	268.7	102	15	1	30	12	88	0
3	121	24.462	268.0	103	0		30	12	88	6
4	123	23.924	266.5	104	-4	2	30	12	88	0
5	125	22.937	267.2	105	33	2	30	12	88	0
6	126	22.585	267.9	106	0	1	30	12	88	0
7	127	22.174	268.6	107	44	1	30	12	68	0
8	128	21.780	269.3	108	4	1	30	12	68	0
9	129	21.386	270.0	109	6	2	30	12	68	0
10	130	20.999	270.6	110	22	1	30	12	68	0
11	131	20.770	271.7	111	62	2	30	12	68	0
12	136	15.602	273.7	112	61		30	12	88	1
13	137	15.218	273.1	113	-14	1	30	12	88	0
14	138	14.863	272.5	114	3	1	30	12	88	0
15	139	14.491	271.7	115	9	2	30	12	88	0
16	140	14.103	271.2	116	17	1	30	12	88	0
17	141	13.743	270.5	117	-10	1	30	12	88	0
18	142	13.373	269.9	118	16	1	30	12	68	0
19	143	13.004	269.1	119	5	1	30	12	68	0
20	144	12.617	268.3	120	2	1	30	12	68	0

DKDAT FIELD DATA TABLE

NEVADA TEST SITE 1985  
 SHOT NUMBER 3 SHOT POINT 2 TEAM 1  
 SHOT TIME: 40: 3:35: 0.013

LOC	DIST(KM)	AZIM	UNIT	CHRON	CHAN	C1	C2	C3	TAPE	GRADE
1	184	34.737	90.2	1	8	2	30	12 68	0	0
2	183	34.169	90.6	2	2	2	30	12 68	0	0
3	182	33.965	90.6	3	6	2	30	12 88	0	0
4	181	33.379	90.4	4	-17	2	30	12 88	0	0
5	180	32.675	92.7	5	7	2	30	12 88	0	0
6	179	32.079	92.2	6	1	2	30	12 88	0	0
7	178	31.685	92.1	7	4	2	30	12 88	0	0
8	177	31.299	91.9	8	5	2	30	12 88	13	0
9	176	30.702	91.2	9	15	2	30	12 88	0	0
10	175	30.379	90.8	10	-4	2	30	12 88	0	0
11	173	29.907	89.4	11	-22	2	30	12 68	0	0
12	172	29.451	87.8	12	7	2	30	12 68	0	0
13	171	29.135	87.2	13	0	2	30	12 48	1	0
14	170	28.801	86.9	14	7	2	30	12 48	0	0
15	169	27.866	85.9	15	-58	2	30	12 48	0	0
16	168	27.065	85.6	16	-7	2	30	12 48	0	0
17	1	6.915	263.9	17	14	3	30	12 48	0	0
18	165	25.950	87.1	18	-17	1	30	12 48	0	0
19	166	26.388	86.8	19	17	2	30	12 48	0	0
20	167	26.617	86.1	20	-8	2	30	12 48	0	0

DKDAT FIELD DATA TABLE

NEVADA TEST SITE 1985  
 SHOT NUMBER 3 SHOT POINT 2 TEAM 3  
 SHOT TIME: 40: 3:35: 0.013

LOC	DIST(KM)	AZIM	UNIT	CHRON	CHAN	C1	C2	C3	TAPE	GRADE
1	204	42.304	93.4	41	-26	2	30	12 48	12	0
2	203	41.968	93.1	42	13	2	30	12 68	0	0
3	202	41.628	92.8	43	9	2	30	12 68	0	0
4	201	41.271	92.4	44	16	2	30	12 68	0	0
5	200	40.955	92.2	45	0	2	30	12 68	0	0
6	199	40.547	92.1	46	22	2	30	12 68	0	0
7	198	40.148	92.0	47	5	2	30	12 88	0	0
8	197	39.768	91.8	48	7	2	30	12 88	0	0
9	196	39.392	91.7	49	15	2	30	12 88	0	0
10	195	38.995	91.6	50	-26	2	30	12 88	0	0
11	194	38.590	91.4	51	17	2	30	12 88	0	0
12	193	38.207	91.3	52	-7	2	30	12 88	0	0
13	192	37.816	91.1	53	12	2	30	12 88	0	0
14	191	37.433	91.0	54	-4	2	30	12 88	0	0
15	190	37.045	90.8	55	3	2	30	12 88	0	0
16	189	36.655	90.6	56	24	2	30	12 88	0	0
17	188	36.272	90.5	57	18	2	30	12 68	0	0
18	187	35.901	90.3	58	17	2	30	12 68	0	0
19	186	35.502	90.2	59	0	2	30	12 68	0	0
20	185	35.135	90.0	60	-5	2	30	12 68	0	0

DKDAT FIELD DATA TABLE

NEVADA TEST SITE 1985  
 SHOT NUMBER 3 SHOT POINT 2 TEAM 2  
 SHOT TIME: 40: 3:35: 0.013

LOC	DIST(KM)	AZIM	UNIT	CHRON	CHAN	C1	C2	C3	TAPE	GRADE
1	224	61.206	90.2	21	-30	2	30	12 88	0	0
2	223	49.572	91.7	22	11	2	30	12 88	0	0
3	222	49.189	91.8	23	32	2	30	12 88	0	0
4	221	48.805	91.9	24	0	1	30	12 88	0	0
5	220	48.413	92.1	25	12	2	30	12 88	0	0
6	219	48.019	92.2	26	0	2	30	12 88	0	0
7	218	47.630	92.3	27	2	2	30	12 68	0	0
8	217	47.242	92.3	28	-78	2	30	12 68	3	0
9	216	46.751	92.6	29	14	2	30	12 68	0	0
10	215	46.407	92.8	30	6	2	30	12 68	0	0
11	214	46.057	92.9	31	6	2	30	12 68	21	0
12	213	45.762	93.0	32	-12	2	30	12 48	0	0
13	212	45.324	93.2	33	35	2	30	12 48	0	0
14	211	44.932	93.4	34	14	2	30	12 48	0	0
15	210	44.541	93.5	35	-6	2	30	12 48	0	0
16	209	44.124	93.7	36	5	1	30	12 48	0	0
17	208	43.735	93.8	37	5	3	30	12 48	0	0
18	207	43.356	94.0	38	2	2	30	12 48	0	0
19	206	42.971	94.0	39	-2	3	30	12 48	0	0
20	205	42.642	93.7	40	7	2	30	12 48	0	0

DKDAT FIELD DATA TABLE

NEVADA TEST SITE 1985  
 SHOT NUMBER 3 SHOT POINT 2 TEAM 4  
 SHOT TIME: 40: 3:35: 0.013

LOC	DIST(KM)	AZIM	UNIT	CHRON	CHAN	C1	C2	C3	TAPE	GRADE
1	101	0.044	276.6	61	13	3	30	12 88	0	0
2	102	0.287	103.3	62	-2	3	30	12 88	0	0
3	103	0.690	95.8	63	11	3	30	12 88	0	0
4	104	1.095	97.3	64	25	3	30	12 88	0	0
5	105	1.493	99.9	65	-2	2	30	12 88	0	0
6	106	1.898	100.7	66	9	3	30	12 68	0	0
7	107	2.303	99.8	67	3	3	30	12 68	0	0
8	108	2.733	104.2	68	0	3	30	12 68	0	0
9	109	3.115	106.3	69	0	3	30	12 68	0	0
10	110	3.486	107.9	70	42	1	30	12 68	0	0
11	111	3.888	109.4	71	19	3	30	12 48	0	0
12	112	4.308	110.7	72	20	3	30	12 48	0	0
13	113	4.695	111.6	73	-27	3	30	12 48	0	0
14	114	5.093	112.5	74	1	3	30	12 48	0	0
15	116	5.627	107.1	75	17	3	30	12 48	0	0
16	117	5.891	103.7	76	-4	3	30	12 48	0	0
17	135	15.200	89.7	77	8	2	30	12 48	0	0
18	134	14.813	89.5	78	-3	2	30	12 48	0	0
19	133	14.439	89.1	79	8	1	30	12 48	0	0
20	132	14.114	88.8	80	15	1	30	12 48	0	0

DKDAT FIELD DATA TABLE

NEVADA TEST SITE 1985  
 SHOT NUMBER 3 SHOT POINT 2 TEAM 5  
 SHOT TIME: 40: 3:35: 0.013

LOC	DIST(KM)	AZIM	UNIT	CHRON	CHAN	C1	C2	C3	TAPE	GRADE
1	145	18.937	94.7	81	-35	1	30	12	68	0
2	146	19.323	95.1	82	-6	1	30	12	68	1
3	147	19.697	95.6	83	25	2	30	12	68	0
4	148	20.125	95.9	84	-9	2	30	12	68	0
5	149	20.469	95.6	85	24	2	30	12	68	0
6	150	20.790	95.1	86	-8	2	30	12	68	0
7	151	21.137	94.5	87	15	2	30	12	68	0
8	152	21.473	93.8	88	21	2	30	12	68	0
9	153	21.782	93.2	89	-7	2	30	12	68	0
10	154	22.181	92.9	90	13	2	30	12	68	0
11	155	22.521	92.5	91	11	2	30	12	68	0
12	156	22.882	92.0	92	0	2	30	12	68	0
13	157	23.236	91.3	93	11	2	30	12	68	28
14	158	23.583	90.8	94	24	2	30	12	68	0
15	159	23.862	90.1	95	-4	2	30	12	68	0
16	160	24.141	89.4	96	-6	2	30	12	68	0
17	161	24.410	88.8	97	1	2	30	12	68	0
18	162	24.847	88.6	98	-24	2	30	12	68	0
19	163	25.264	88.0	99	21	2	30	12	68	0
20	164	25.592	87.6	100	13	2	30	12	68	0

DKDAT FIELD DATA TABLE

NEVADA TEST SITE 1985  
 SHOT NUMBER 4 SHOT POINT 5 TEAM 1  
 SHOT TIME: 40: 3:37: 0.010

LOC	DIST(KM)	AZIM	UNIT	CHRON	CHAN	C1	C2	C3	TAPE	GRADE
1	184	12.646	85.7	1	8	1	30	12	68	0
2	183	12.062	86.5	2	2	1	30	12	68	0
3	182	11.856	86.6	3	6	1	30	12	68	0
4	181	11.283	85.7	4	-17	1	30	12	68	0
5	180	10.519	92.6	5	7	1	30	12	68	0
6	179	9.927	91.0	6	1	1	30	12	68	0
7	178	9.536	90.3	7	4	1	30	12	68	0
8	177	9.154	89.6	8	5	1	30	12	68	13
9	176	8.579	86.9	9	16	1	30	12	68	0
10	175	8.275	85.3	10	-4	1	30	12	68	0
11	173	7.902	79.9	11	-22	1	30	12	68	0
12	172	7.636	73.0	12	7	1	30	12	68	0
13	171	7.409	70.3	13	0	0	30	12	48	1
14	170	7.147	68.1	14	7	3	30	12	48	0
15	169	6.447	61.6	15	-58	3	30	12	48	0
16	168	5.797	57.0	16	-7	3	30	12	48	0
17	1	29.009	270.7	17	14	2	30	12	48	0
18	165	4.482	57.8	18	-17	3	30	12	48	0
19	166	4.937	58.8	19	17	1	30	12	48	0
20	167	5.284	57.0	20	-8	3	30	12	48	0

DKDAT FIELD DATA TABLE

NEVADA TEST SITE 1985  
 SHOT NUMBER 3 SHOT POINT 2 TEAM 6  
 SHOT TIME: 40: 3:35: 0.013

LOC	DIST(KM)	AZIM	UNIT	CHRON	CHAN	C1	C2	C3	TAPE	GRADE
1	118	6.240	101.6	101	21	1	30	12	68	0
2	120	6.619	103.5	102	15	1	30	12	68	0
3	121	6.951	105.3	103	0	0	30	12	68	6
4	123	7.676	108.6	104	-4	1	30	12	68	0
5	125	8.510	104.4	105	34	1	30	12	68	0
6	126	8.774	102.0	106	0	1	30	12	68	0
7	127	9.117	99.8	107	44	1	30	12	68	0
8	128	9.457	97.7	108	4	1	30	12	68	0
9	129	9.816	95.6	109	6	1	30	12	68	0
10	130	10.182	94.4	110	22	1	30	12	68	0
11	131	10.396	92.2	111	62	1	30	12	68	0
12	136	15.579	90.0	112	61	1	30	12	68	1
13	137	15.954	90.7	113	-14	1	30	12	68	0
14	138	16.303	91.2	114	3	1	30	12	68	0
15	139	16.675	91.9	115	9	2	30	12	68	0
16	140	17.064	92.3	116	17	2	30	12	68	0
17	141	17.430	92.9	117	-10	2	30	12	68	0
18	142	17.807	93.3	118	16	1	30	12	68	0
19	143	18.188	93.8	119	5	1	30	12	68	0
20	144	18.591	94.2	120	2	2	30	12	68	0

DKDAT FIELD DATA TABLE

NEVADA TEST SITE 1985  
 SHOT NUMBER 4 SHOT POINT 5 TEAM 2  
 SHOT TIME: 40: 3:37: 0.010

LOC	DIST(KM)	AZIM	UNIT	CHRON	CHAN	C1	C2	C3	TAPE	GRADE
1	224	39.089	88.8	21	-30	2	30	12	68	0
2	223	27.426	90.7	22	11	2	30	12	68	0
3	222	27.040	90.9	23	32	2	30	12	68	0
4	221	26.655	91.2	24	0	1	30	12	68	0
5	220	26.261	91.4	25	12	2	30	12	68	0
6	219	25.866	91.7	26	0	2	30	12	68	0
7	218	25.476	91.9	27	2	2	30	12	68	0
8	217	25.086	92.2	28	-79	2	30	12	68	3
9	216	24.596	92.5	29	14	2	30	12	68	0
10	215	24.251	92.7	30	6	2	30	12	68	0
11	214	23.901	93.0	31	6	6	30	12	68	21
12	213	23.606	93.2	32	-12	2	30	12	48	0
13	212	23.168	93.6	33	35	2	30	12	48	0
14	211	22.777	93.9	34	14	1	30	12	48	0
15	210	22.388	94.3	35	-6	2	30	12	48	0
16	209	21.972	94.6	36	5	1	30	12	48	0
17	208	21.585	94.9	37	5	1	30	12	48	0
18	207	21.208	95.2	38	2	2	30	12	48	0
19	206	20.824	95.3	39	-2	2	30	12	48	0
20	205	20.490	94.7	40	7	2	30	12	48	0







DKDAT FIELD DATA TABLE

NEVADA TEST SITE 1985  
SHOT NUMBER 5 SHOT POINT 19 TEAM 5  
SHOT TIME: 40: 3:39: 0.008

LOC	DIST(KM)	AZIM	UNIT	CHRON	CHAN	C1	C2	C3	TAPE GRADE
1	145	13.923	182.4	81	-35	1	30	12 68	0
2	146	14.090	180.9	82	-6	1	30	12 68	1
3	147	14.292	179.5	83	25	1	30	12 68	0
4	148	14.453	177.8	84	-9	1	30	12 68	0
5	149	14.401	176.4	85	24	1	30	12 88	0
6	150	14.278	175.0	86	-8	1	30	12 88	0
7	151	14.103	173.5	87	15	1	30	12 88	0
8	152	13.932	171.9	88	21	1	30	12 88	0
9	153	13.787	170.5	89	-8	1	30	12 88	0
10	154	13.772	168.8	90	13	1	30	12 88	0
11	155	13.690	167.2	91	11	1	30	12 88	0
12	156	13.600	165.5	92	0	1	30	12 88	0
13	157	13.439	163.8	93	11	1	30	12 88	0
14	158	13.346	162.1	94	24	1	30	12 88	28
15	159	13.156	160.5	95	-4	1	30	12 88	0
16	160	12.997	158.9	96	-6	1	30	12 68	0
17	161	12.858	157.4	97	1	1	30	12 68	0
18	162	12.943	155.5	98	-24	1	30	12 68	0
19	163	12.867	153.3	99	21	1	30	12 68	0
20	164	12.828	151.6	100	13	1	30	12 68	0

DKDAT FIELD DATA TABLE

NEVADA TEST SITE 1985  
SHOT NUMBER 6 SHOT POINT 17 TEAM 1  
SHOT TIME: 40: 5:31: 0.951

LOC	DIST(KM)	AZIM	UNIT	CHRON	CHAN	C1	C2	C3	TAPE GRADE
1	184	14.887	274.9	1	10	1	30	12 68	0
2	183	15.438	273.9	2	3	1	30	12 68	0
3	182	15.640	273.8	3	8		30	12 88	1
4	181	16.234	274.2	4	-19	1	30	12 88	0
5	180	16.937	269.5	5	9	1	30	12 88	0
6	179	17.518	270.5	6	1	1	30	12 88	0
7	178	17.909	270.9	7	5	1	30	12 88	0
8	177	18.293	271.2	8	7		30	12 88	13
9	176	18.892	272.4	9	18	2	30	12 88	0
10	175	19.220	273.0	10	-3	2	30	12 88	0
11	173	19.737	275.0	11	-24	2	30	12 68	0
12	172	20.299	277.2	12	8		30	12 68	1
13	171	20.658	277.8	13	1	1	30	12 48	1
14	170	21.020	278.2	14	9	2	30	12 48	0
15	169	22.030	278.9	15	-66	1	30	12 48	0
16	168	22.844	278.8	16	-7	2	30	12 48	0
17	1	56.454	270.7	17	16	2	30	12 48	0
18	165	23.803	276.5	18	-19	2	30	12 48	0
19	166	23.396	277.1	19	20	2	30	12 48	0
20	167	23.229	277.9	20	-8		30	12 48	13

DKDAT FIELD DATA TABLE

NEVADA TEST SITE 1985  
SHOT NUMBER 5 SHOT POINT 19 TEAM 6  
SHOT TIME: 40: 3:39: 0.008

LOC	DIST(KM)	AZIM	UNIT	CHRON	CHAN	C1	C2	C3	TAPE GRADE
1	118	19.073	224.4	101	21	1	30	12 88	0
2	120	19.058	223.1	102	15	1	30	12 88	0
3	121	19.090	221.9	103	0		30	12 88	6
4	123	19.188	219.4	104	-4	1	30	12 88	0
5	125	18.319	217.8	105	34	1	30	12 88	0
6	126	17.884	217.5	106	0	1	30	12 88	0
7	127	17.419	217.0	107	44	1	30	12 68	0
8	128	16.958	216.5	108	4	1	30	12 68	0
9	129	16.514	216.0	109	6	1	30	12 68	0
10	130	16.111	215.3	110	23	1	30	12 68	0
11	131	15.656	215.4	111	63	1	30	12 68	0
12	136	12.954	197.4	112	61		30	12 88	1
13	137	13.034	195.6	113	-14	1	30	12 88	0
14	138	13.112	194.0	114	3	1	30	12 88	0
15	139	13.232	192.2	115	9	2	30	12 88	0
16	140	13.288	190.5	116	17	1	30	12 88	0
17	141	13.404	188.8	117	-10	1	30	12 88	0
18	142	13.505	187.2	118	16	2	30	12 68	0
19	143	13.635	185.5	119	5	1	30	12 68	0
20	144	13.774	183.9	120	2	1	30	12 68	0

DKDAT FIELD DATA TABLE

NEVADA TEST SITE 1985  
 SHOT NUMBER 6 SHOT POINT 17 TEAM 3  
 SHOT TIME: 40: 5:31: 0.951

LOC	DIST(KM)	AZIM	UNIT	CHRON	CHAN	C1	C2	C3	TAPE	GRADE
1	204	7.430	261.4	41	-28	3	30	12 48	0	0
2	203	7.716	263.6	42	14	1	30	12 68	0	0
3	202	8.017	265.6	43	10	1	30	12 68	0	0
4	201	8.344	267.8	44	17	1	30	12 68	0	0
5	200	8.649	268.9	45	0	1	30	12 68	0	0
6	199	9.052	269.6	46	23	1	30	12 68	0	0
7	198	9.448	270.2	47	5	1	30	12 88	0	0
8	197	9.825	270.9	48	8	2	30	12 88	0	0
9	196	10.200	271.4	49	16	1	30	12 88	0	0
10	195	10.596	271.9	50	-28	1	30	12 88	0	0
11	194	11.002	272.4	51	18	1	30	12 88	0	0
12	193	11.387	272.8	52	-8	1	30	12 88	0	0
13	192	11.781	273.3	53	12	1	30	12 88	0	0
14	191	12.168	273.6	54	-4	1	30	12 88	0	0
15	190	12.559	274.0	55	3	1	30	12 88	0	0
16	189	12.953	274.4	56	26	1	30	12 88	0	0
17	188	13.343	274.7	57	19	1	30	12 68	0	0
18	187	13.721	275.0	58	18	1	30	12 68	0	0
19	186	14.126	275.2	59	0	1	30	12 68	0	0
20	185	14.499	275.5	60	-5	1	30	12 68	0	0

DKDAT FIELD DATA TABLE

NEVADA TEST SITE 1985  
 SHOT NUMBER 6 SHOT POINT 17 TEAM 5  
 SHOT TIME: 40: 5:31: 0.951

LOC	DIST(KM)	AZIM	UNIT	CHRON	CHAN	C1	C2	C3	TAPE	GRADE
1	145	30.700	269.7	81	-37		30	12 68	1	1
2	146	30.329	269.4	82	-6		30	12 68	1	1
3	147	29.977	269.0	83	27	2	30	12 68	0	0
4	148	29.565	268.7	84	-10	2	30	12 68	0	0
5	149	29.211	268.8	85	26	2	30	12 88	0	0
6	150	28.871	269.1	86	-8	2	30	12 88	0	0
7	151	28.502	269.5	87	16	2	30	12 88	0	0
8	152	28.148	270.0	88	22	2	30	12 88	0	0
9	153	27.826	270.4	89	-8	2	30	12 88	0	0
10	154	27.423	270.6	90	14	2	30	12 88	0	0
11	155	27.076	270.9	91	11	2	30	12 88	0	0
12	156	26.711	271.3	92	0	2	30	12 88	0	0
13	157	26.356	271.9	93	12	2	30	12 88	0	0
14	158	26.012	272.4	94	26	2	30	12 88	28	28
15	159	25.745	273.1	95	-4	2	30	12 88	0	0
16	160	25.482	273.7	96	-6	2	30	12 68	0	0
17	161	25.235	274.3	97	1	2	30	12 68	0	0
18	162	24.808	274.6	98	-25	2	30	12 68	0	0
19	163	24.424	275.4	99	23	2	30	12 68	0	0
20	164	24.126	275.9	100	13	2	30	12 68	0	0

DKDAT FIELD DATA TABLE

NEVADA TEST SITE 1985  
 SHOT NUMBER 6 SHOT POINT 17 TEAM 4  
 SHOT TIME: 40: 5:31: 0.951

LOC	DIST(KM)	AZIM	UNIT	CHRON	CHAN	C1	C2	C3	TAPE	GRADE
1	101	49.635	271.6	61	13	2	30	12 88	0	0
2	102	49.311	271.6	62	-2	2	30	12 88	0	0
3	103	48.904	271.6	63	12	2	30	12 88	0	0
4	104	48.502	271.5	64	27	2	30	12 88	0	0
5	105	48.115	271.4	65	-3	2	30	12 88	0	0
6	106	47.719	271.3	66	10	2	30	12 68	0	0
7	107	47.314	271.2	67	3	2	30	12 68	0	0
8	108	46.930	270.9	68	0	2	30	12 68	0	0
9	109	46.587	270.7	69	0	2	30	12 68	0	0
10	110	46.258	270.4	70	45	2	30	12 68	0	0
11	111	45.907	270.1	71	21	2	30	12 48	0	0
12	112	45.545	269.9	72	21	2	30	12 48	0	0
13	113	45.213	269.6	73	-29		30	12 48	1	1
14	114	44.874	269.3	74	1	2	30	12 48	0	0
15	116	44.198	269.7	75	18	2	30	12 48	0	0
16	117	43.851	270.0	76	-4	2	30	12 48	0	0
17	135	34.402	272.5	77	9	2	30	12 48	0	0
18	134	34.791	272.5	78	-3	2	30	12 48	0	0
19	133	35.169	272.6	79	8	2	30	12 48	0	0
20	132	35.499	272.7	80	16	2	30	12 48	0	0











DKDAT FIELD DATA TABLE

NEVADA TEST SITE 1985  
 SHOT NUMBER 10 SHOT POINT 4 TEAM 1  
 SHOT TIME: 40: 5:39: 0.010

LOC	DIST(KM)	AZIM	UNIT	CHRON	CHAN	C1	C2	C3	TAPE	GRADE
1	184	19.188	90.4	1	10		30	12 68	16	
2	183	18.621	91.1	2	3	2	30	12 68	0	
3	182	18.418	91.2	3	8		30	12 88	1	
4	181	17.830	90.8	4	-19	2	30	12 88	0	
5	180	17.159	95.3	5	9	2	30	12 88	0	
6	179	16.592	94.4	6	1	2	30	12 88	0	
7	178	16.155	94.1	7	5	2	30	12 88	0	
8	177	15.766	93.8	8	7		30	12 88	13	
9	176	15.158	92.4	9	19	2	30	12 88	0	
10	175	14.832	91.6	10	-3	2	30	12 88	0	
11	173	14.360	88.8	11	-24	2	30	12 68	0	
12	172	13.927	85.3	12	9		30	12 68	1	
13	171	13.625	84.1	13	1		30	12 48	1	
14	170	13.303	83.2	14	9	1	30	12 48	0	
15	169	12.406	80.8	15	-66	1	30	12 48	0	
16	168	11.623	79.8	16	-7	1	30	12 48	0	
17	1	22.438	268.1	17	17	2	30	12 48	0	
18	165	10.450	82.9	18	-19	1	30	12 48	0	
19	166	10.898	82.3	19	20	2	30	12 48	0	
20	167	11.153	80.8	20	-8	1	30	12 48	0	

DKDAT FIELD DATA TABLE

NEVADA TEST SITE 1985  
 SHOT NUMBER 9 SHOT POINT 3 TEAM 5  
 SHOT TIME: 40: 5:37: 0.008

LOC	DIST(KM)	AZIM	UNIT	CHRON	CHAN	C1	C2	C3	TAPE	GRADE
1	145	12.572	90.5	81	-37		30	12 68	1	
2	146	12.948	91.3	82	-6		30	12 68	0	
3	147	13.309	92.1	83	27	2	30	12 68	0	
4	148	13.731	92.7	84	-10	1	30	12 68	0	
5	149	14.080	92.4	85	26	2	30	12 88	0	
6	150	14.412	91.7	86	-8	2	30	12 88	0	
7	151	14.772	90.8	87	16	1	30	12 88	0	
8	152	15.123	90.0	88	22	2	30	12 88	0	
9	153	15.447	89.3	89	-8	2	30	12 88	0	
10	154	15.852	89.0	90	14	2	30	12 88	0	
11	155	16.204	88.4	91	11	2	30	12 88	0	
12	156	16.578	87.8	92	0	2	30	12 88	0	
13	157	16.951	87.0	93	12	2	30	12 88	0	
14	158	17.314	86.4	94	26	2	30	12 88	28	
15	159	17.615	85.5	95	-4	2	30	12 88	0	
16	160	17.916	84.7	96	-6	2	30	12 68	0	
17	161	18.205	83.9	97	1	2	30	12 68	0	
18	162	18.648	83.8	98	-26	2	30	12 68	0	
19	163	19.087	83.1	99	23	2	30	12 68	0	
20	164	19.430	82.6	100	14	2	30	12 68	0	

DKDAT FIELD DATA TABLE

NEVADA TEST SITE 1985  
 SHOT NUMBER 9 SHOT POINT 3 TEAM 6  
 SHOT TIME: 40: 5:37: 0.008

LOC	DIST(KM)	AZIM	UNIT	CHRON	CHAN	C1	C2	C3	TAPE	GRADE
1	118	0.254	311.2	101	22	3	30	12 88	0	
2	120	0.180	132.7	102	16		30	12 88	1	
3	121	0.575	135.7	103	0		30	12 88	6	
4	123	1.413	136.7	104	-4	1	30	12 88	0	
5	125	2.058	109.6	105	36	1	30	12 88	0	
6	126	2.314	100.0	106	0	2	30	12 88	0	
7	127	2.684	92.7	107	47	3	30	12 68	0	
8	128	3.074	87.0	108	5	1	30	12 68	0	
9	129	3.488	83.0	109	7	1	30	12 68	0	
10	130	3.902	80.5	110	24	2	30	12 68	0	
11	131	4.214	75.8	111	67	1	30	12 68	0	
12	136	9.387	81.2	112	66		30	12 88	1	
13	137	9.730	82.7	113	-15	1	30	12 88	0	
14	138	10.054	83.9	114	3	1	30	12 88	0	
15	139	10.399	85.3	115	10	2	30	12 88	0	
16	140	10.772	86.1	116	19	2	30	12 88	0	
17	141	11.119	87.2	117	-10	1	30	12 88	0	
18	142	11.482	88.0	118	17	1	30	12 68	0	
19	143	11.848	88.9	119	6	1	30	12 68	0	
20	144	12.238	89.8	120	2	1	30	12 68	0	

DKDAT FIELD DATA TABLE

NEVADA TEST SITE 1985  
 SHOT NUMBER 10 SHOT POINT 4 TEAM 2  
 SHOT TIME: 40: 5:39: 0.010

LOC	DIST(KM)	AZIM	UNIT	CHRON	CHAN	C1	C2	C3	TAPE	GRADE
1	224	45.657	90.3	21	-33	2	30	12 88	0	
2	223	34.031	92.4	22	12	1	30	12 88	0	
3	222	33.649	92.6	23	35	2	30	12 88	0	
4	221	33.267	92.8	24	0	2	30	12 88	0	
5	220	32.877	93.0	25	13		30	12 88	3	
6	219	32.485	93.3	26	0	2	30	12 88	0	
7	218	32.098	93.5	27	2	2	30	12 68	0	
8	217	31.713	93.7	28	-84		30	12 68	3	
9	216	31.225	94.0	29	15	2	30	12 68	0	
10	215	30.883	94.2	30	6		30	12 68	1	
11	214	30.536	94.4	31	6		30	12 68	1	
12	213	30.244	94.6	32	-13		30	12 48	1	
13	212	29.810	94.9	33	38	2	30	12 48	0	
14	211	29.422	95.2	34	15	2	30	12 48	0	
15	210	29.036	95.5	35	-7	2	30	12 48	0	
16	209	28.622	95.7	36	6	2	30	12 48	0	
17	208	28.237	96.0	37	5	2	30	12 48	0	
18	207	27.863	96.2	38	2	2	30	12 48	0	
19	206	27.479	96.3	39	-2	2	30	12 48	0	
20	205	27.142	95.9	40	8	2	30	12 48	0	

DKDAT FIELD DATA TABLE

NEVADA TEST SITE 1985  
 SHOT NUMBER 10 SHOT POINT 4 TEAM 3  
 SHOT TIME: 40: 5:39: 0.010

LOC	DIST(KM)	AZIM	UNIT	CHRON	CHAN	C1	C2	C3	TAPE	GRADE
1	204	26.797	95.4	41	-28	2	30	12	48	0
2	203	26.454	94.9	42	14	2	30	12	68	0
3	202	26.107	94.4	43	10	2	30	12	68	0
4	201	25.743	93.9	44	17	2	30	12	68	0
5	200	25.423	93.6	45	0	2	30	12	68	0
6	199	25.014	93.4	46	23	2	30	12	68	0
7	198	24.612	93.2	47	5	2	30	12	88	0
8	197	24.231	93.0	48	8	2	30	12	88	0
9	196	23.853	92.8	49	16	2	30	12	88	0
10	195	23.454	92.6	50	-28	2	30	12	88	0
11	194	23.048	92.4	51	18	2	30	12	88	0
12	193	22.664	92.2	52	-8	3	30	12	88	0
13	192	22.271	91.9	53	12	2	30	12	88	0
14	191	21.886	91.7	54	-4	2	30	12	88	0
15	190	21.498	91.4	55	3	2	30	12	88	0
16	189	21.107	91.2	56	26	2	30	12	88	0
17	188	20.724	90.9	57	19	2	30	12	68	0
18	187	20.351	90.6	58	18	2	30	12	68	0
19	186	19.953	90.4	59	0	3	30	12	68	0
20	185	19.585	90.1	60	-5	2	30	12	68	0

DKDAT FIELD DATA TABLE

NEVADA TEST SITE 1985  
 SHOT NUMBER 10 SHOT POINT 4 TEAM 5  
 SHOT TIME: 40: 5:39: 0.010

LOC	DIST(KM)	AZIM	UNIT	CHRON	CHAN	C1	C2	C3	TAPE	GRADE
1	145	3.667	115.0	81	-37		30	12	68	1
2	146	4.080	115.1	82	-6		30	12	68	1
3	147	4.488	115.5	83	27	2	30	12	68	0
4	148	4.928	115.0	84	-10	2	30	12	68	0
5	149	5.223	112.7	85	26	1	30	12	88	0
6	150	5.483	109.9	86	-8	1	30	12	88	0
7	151	5.763	106.6	87	16	1	30	12	88	0
8	152	6.047	103.7	88	22	1	30	12	88	0
9	153	6.319	101.3	89	-8	1	30	12	88	0
10	154	6.700	99.9	90	14	1	30	12	88	0
11	155	7.020	98.1	91	11	1	30	12	88	0
12	156	7.362	96.3	92	0	1	30	12	88	0
13	157	7.699	94.0	93	12	1	30	12	88	0
14	158	8.038	92.4	94	26	1	30	12	88	28
15	159	8.312	90.3	95	-4	1	30	12	68	0
16	160	8.594	88.5	96	-6	1	30	12	68	0
17	161	8.869	86.9	97	1	1	30	12	68	0
18	162	9.310	86.4	98	-26	1	30	12	68	0
19	163	9.739	84.9	99	23	1	30	12	68	0
20	164	10.078	83.9	100	14	1	30	12	68	0

DKDAT FIELD DATA TABLE

NEVADA TEST SITE 1985  
 SHOT NUMBER 10 SHOT POINT 4 TEAM 4  
 SHOT TIME: 40: 5:39: 0.010

LOC	DIST(KM)	AZIM	UNIT	CHRON	CHAN	C1	C2	C3	TAPE	GRADE
1	101	15.593	270.0	61	13	2	30	12	88	0
2	102	15.271	269.7	62	-2	2	30	12	88	0
3	103	14.864	269.7	63	12	1	30	12	88	0
4	104	14.465	269.4	64	27	1	30	12	88	0
5	105	14.082	268.9	65	-3	1	30	12	88	0
6	106	13.690	268.5	66	10	2	30	12	88	0
7	107	13.287	268.3	67	3	2	30	12	68	0
8	108	12.919	267.0	68	0	2	30	12	68	0
9	109	12.592	266.0	69	0	2	30	12	68	0
10	110	12.280	265.0	70	45	2	30	12	68	0
11	111	11.954	263.8	71	21	1	30	12	48	0
12	112	11.622	262.4	72	21	1	30	12	48	0
13	113	11.322	261.2	73	-29	1	30	12	48	1
14	114	11.020	259.8	74	1	1	30	12	48	0
15	116	10.307	260.7	75	18	1	30	12	48	0
16	117	9.926	261.9	76	-4	1	30	12	48	0
17	135	0.355	279.7	77	9	3	30	12	48	0
18	134	0.747	279.7	78	-3	1	30	12	48	0
19	133	1.131	280.6	79	8	3	30	12	48	0
20	132	1.467	281.3	80	16	3	30	12	48	0

NEVADA TEST SITE 1985  
 SHOT NUMBER 10 SHOT POINT 4 TEAM 6  
 SHOT TIME: 40: 5:39: 0.010

LOC	DIST(KM)	AZIM	UNIT	CHRON	CHAN	C1	C2	C3	TAPE	GRADE
1	118	9.523	262.4	101	22	1	30	12	88	0
2	120	9.247	260.3	102	16		30	12	88	1
3	121	9.037	258.2	103	0		30	12	88	6
4	123	8.637	253.4	104	-4	1	30	12	88	0
5	125	7.611	253.8	105	36	1	30	12	88	0
6	126	7.206	253.2	106	0	1	30	12	88	0
7	127	6.748	256.7	107	47	1	30	12	68	0
8	128	6.308	258.4	108	5	1	30	12	68	0
9	129	5.873	260.1	109	7	1	30	12	68	0
10	130	5.456	261.7	110	24	1	30	12	68	0
11	131	5.177	265.6	111	67	1	30	12	68	0
12	136	0.029	86.7	112	66		30	12	88	1
13	137	0.447	115.5	113	-15	3	30	12	88	0
14	138	0.833	115.9	114	3	3	30	12	88	0
15	139	1.254	117.2	115	10	3	30	12	88	0
16	140	1.657	115.2	116	19	3	30	12	88	0
17	141	2.058	115.5	117	-10	2	30	12	88	0
18	142	2.457	115.0	118	17	3	30	12	68	0
19	143	2.866	115.0	119	6	3	30	12	68	0
20	144	3.294	114.8	120	2	3	30	12	68	0

DKDAT FIELD DATA TABLE

NEVADA TEST SITE 1985  
 SHOT NUMBER 11 SHOT POINT 20 TEAM 1  
 SHOT TIME: 44: 31:31; 0.008

LOC	DIST(KM)	AZIM	UNIT	CHRON	CHAN	C1	C2	C3	TAPE GRADE
1	29	7.455	263.7	1	15	1	30	12 88	0
2	27	70.155	92.5	2	4	2	30	12 88	0
3	401	56.995	90.7	3	8	8	30	12 88	1
4	402	56.318	90.2	4	-9	2	30	12 88	0
5	403	55.521	89.9	5	12	2	30	12 88	21
6	405	53.651	89.6	6	7	2	30	12 68	0
7	406	52.815	89.7	7	-6	2	30	12 68	0
8	407	51.979	90.1	8	9	2	30	12 68	0
9	408	50.921	90.2	9	23	2	30	12 48	0
10	409	50.091	90.4	10	0	2	30	12 48	0
11	410	49.168	90.7	11	-32	2	30	12 48	0
12	411	47.779	91.1	12	12	2	30	12 48	1
13	412	47.049	91.3	13	3	2	30	12 48	0
14	413	46.337	91.8	14	-26	2	30	12 48	0
15	414	45.488	93.0	15	6	2	30	12 68	0
16	415	44.740	94.2	16	-6	2	30	12 68	0
17	416	43.909	95.2	17	22	2	30	12 68	0
18	417	43.054	95.4	18	23	1	30	12 88	0
19	418	42.244	95.3	19	45	1	30	12 88	0
20	419	41.542	95.3	20	-13	1	30	12 88	0

DKDAT FIELD DATA TABLE

NEVADA TEST SITE 1985  
 SHOT NUMBER 11 SHOT POINT 20 TEAM 3  
 SHOT TIME: 44: 31:31; 0.008

LOC	DIST(KM)	AZIM	UNIT	CHRON	CHAN	C1	C2	C3	TAPE GRADE
1	420	40.755	95.7	41	-17	2	30	12 88	0
2	421	40.607	95.2	42	10	1	30	12 88	0
3	422	40.207	95.1	43	7	1	30	12 88	0
4	423	39.858	95.1	44	9	2	30	12 88	0
5	424	39.409	95.0	45	0	2	30	12 68	0
6	425	38.998	95.0	46	4	2	30	12 68	0
7	426	38.528	94.9	47	-7	2	30	12 48	0
8	427	38.165	94.9	48	-3	2	30	12 48	0
9	428	37.754	94.9	49	12	2	30	12 48	0
10	429	37.403	94.8	50	-29	2	30	12 48	0
11	433	35.754	96.3	51	8	2	30	12 48	0
12	434	35.408	96.7	52	-18	2	30	12 68	0
13	435	34.974	97.2	53	7	2	30	12 68	0
14	436	34.684	97.5	54	-7	2	30	12 88	0
15	437	34.294	97.9	55	6	2	30	12 88	0
16	438	33.880	98.3	56	20	2	30	12 88	0
17	439	33.539	98.5	57	8	2	30	12 88	0
18	440	33.158	98.7	58	14	2	30	12 88	0
19	441	32.741	98.9	59	-2	2	30	12 68	0
20	442	32.367	98.9	60	-6	2	30	12 68	0

DKDAT FIELD DATA TABLE

NEVADA TEST SITE 1985  
 SHOT NUMBER 11 SHOT POINT 20 TEAM 2  
 SHOT TIME: 44: 31:31; 0.008

LOC	DIST(KM)	AZIM	UNIT	CHRON	CHAN	C1	C2	C3	TAPE GRADE
1	500	7.760	102.3	21	-17	1	30	12 88	0
2	501	7.364	103.0	22	10	1	30	12 88	0
3	502	7.006	104.0	23	25	1	30	12 88	0
4	503	6.559	105.2	24	-3	1	30	12 88	0
5	504	6.237	105.9	25	5	1	30	12 88	0
6	505	5.836	106.8	26	1	1	30	12 88	0
7	506	5.458	108.1	27	-74	3	30	12 88	0
8	507	5.080	109.5	28	11	3	30	12 88	0
9	508	4.698	111.2	29	5	3	30	12 68	0
10	509	4.318	113.0	30	5	3	30	12 68	1
11	510	3.972	115.0	31	6	3	30	12 68	0
12	511	3.590	118.0	32	32	3	30	12 68	3
13	512	3.244	120.9	33	40	3	30	12 68	0
14	513	2.923	125.2	34	12	3	30	12 68	0
15	514	2.599	130.1	35	-31	3	30	12 68	0
16	515	2.208	135.2	36	3	3	30	12 68	0
17	516	2.026	145.6	37	4	2	30	12 68	0
18	517	1.836	156.5	38	2	2	30	12 68	0
19	518	1.707	168.3	39	0	1	30	12 68	0
20	519	0.034	324.7	40	6	3	30	12 68	0

DKDAT FIELD DATA TABLE

NEVADA TEST SITE 1985  
 SHOT NUMBER 11 SHOT POINT 20 TEAM 4  
 SHOT TIME: 44: 31:31; 0.008

LOC	DIST(KM)	AZIM	UNIT	CHRON	CHAN	C1	C2	C3	TAPE GRADE
1	460	24.443	97.6	61	11	2	30	12 68	0
2	461	24.057	97.7	62	2	2	30	12 68	0
3	462	23.681	97.6	63	7	2	30	12 68	0
4	463	23.320	97.7	64	10	2	30	12 68	0
5	464	22.918	97.8	65	-4	2	30	12 68	0
6	465	22.454	98.0	66	6	2	30	12 88	0
7	466	22.054	98.1	67	-4	2	30	12 88	0
8	467	21.657	98.2	68	-3	1	30	12 88	0
9	468	21.253	98.3	69	-1	2	30	12 88	0
10	469	20.864	98.4	70	36	2	30	12 88	0
11	470	20.469	98.6	71	12	2	30	12 88	0
12	471	20.031	98.7	72	-7	2	30	12 88	0
13	472	19.617	98.8	73	-9	2	30	12 88	0
14	473	19.198	99.0	74	3	2	30	12 88	0
15	474	18.804	99.1	75	4	1	30	12 88	0
16	475	18.391	99.3	76	-4	1	30	12 68	0
17	476	18.033	99.5	77	9	2	30	12 68	0
18	477	17.577	99.0	78	-2	2	30	12 68	0
19	478	17.136	98.7	79	5	1	30	12 68	0
20	479	16.734	98.5	80	2	2	30	12 68	0

DKDAT FIELD DATA TABLE

NEVADA TEST SITE 1985  
 SHOT NUMBER 11 SHOT POINT 20 TEAM 5  
 SHOT TIME: 44: 3:31: 0.008

LOC	DIST(KM)	AZIM	UNIT	CHRON	CHAN	C1	C2	C3	TAPE	GRADE
1	430	37.033	95.1	81	-28	30	12	68	1	
2	431	36.622	95.5	82	--	30	12	68	0	
3	432	36.166	95.9	83	18	30	12	68	0	
4	443	31.959	99.0	84	-13	30	12	88	0	
5	444	31.539	98.9	85	--	30	12	68	28	
6	445	31.112	98.9	86	-4	30	12	68	0	
7	446	30.637	98.6	87	-9	30	12	68	0	
8	447	30.280	99.3	88	19	30	12	68	0	
9	448	29.766	99.2	89	-4	30	12	68	0	
10	449	28.962	98.8	90	9	30	12	88	0	
11	450	28.495	98.6	91	9	30	12	88	1	
12	451	28.031	98.3	92	0	30	12	88	0	
13	452	27.506	98.0	93	0	30	12	88	0	
14	453	27.185	97.9	94	19	30	12	88	28	
15	454	26.808	97.6	95	-4	30	12	88	0	
16	455	26.460	97.5	96	-19	30	12	88	0	
17	456	26.070	97.4	97	2	30	12	88	0	
18	459	24.838	97.3	98	-17	30	12	88	0	
19	458	25.248	97.3	99	16	30	12	68	0	
20	457	25.652	97.3	100	11	2	30	12	68	0

DKDAT FIELD DATA TABLE

NEVADA TEST SITE 1985  
 SHOT NUMBER 12 SHOT POINT 7 TEAM 1  
 SHOT TIME: 44: 3:33: 0.011

LOC	DIST(KM)	AZIM	UNIT	CHRON	CHAN	C1	C2	C3	TAPE	GRADE
1	29	21.149	272.2	1	15	2	30	12	88	0
2	27	56.389	91.4	2	4	2	30	12	88	0
3	401	43.285	88.7	3	8		30	12	88	1
4	402	42.625	88.1	4	-9	2	30	12	88	0
5	403	41.840	87.6	5	12	3	30	12	88	0
6	405	39.986	87.0	6	7	2	30	12	68	0
7	406	39.143	87.2	7	-6	2	30	12	68	0
8	407	38.294	87.6	8	9	2	30	12	68	0
9	408	37.231	87.8	9	23	2	30	12	48	0
10	409	36.393	88.0	10	0	2	30	12	48	0
11	410	35.462	88.3	11	-32	2	30	12	48	0
12	411	34.058	88.8	12	12		30	12	48	1
13	412	33.321	89.1	13	3	2	30	12	48	0
14	413	32.596	89.7	14	-26	2	30	12	48	0
15	414	31.714	91.3	15	6	2	30	12	68	0
16	415	30.943	93.0	16	-6	2	30	12	68	0
17	416	30.098	94.4	17	22	2	30	12	68	0
18	417	29.241	94.7	18	23	2	30	12	88	0
19	418	28.431	94.6	19	45	2	30	12	88	0
20	419	27.730	94.5	20	-13	2	30	12	88	0

DKDAT FIELD DATA TABLE

NEVADA TEST SITE 1985  
 SHOT NUMBER 12 SHOT POINT 7 TEAM 2  
 SHOT TIME: 44: 3:33: 0.011

LOC	DIST(KM)	AZIM	UNIT	CHRON	CHAN	C1	C2	C3	TAPE	GRADE
1	500	6.141	269.9	21	-17	1	30	12	88	0
2	501	6.547	269.9	22	10	1	30	12	88	0
3	502	6.925	269.6	23	25	1	30	12	88	0
4	503	7.394	269.4	24	-3	1	30	12	88	0
5	504	7.724	269.5	25	5	1	30	12	88	0
6	505	8.137	269.7	26	1	1	30	12	88	0
7	506	8.537	269.6	27	-74	1	30	12	88	0
8	507	8.936	269.6	28	11	1	30	12	88	0
9	508	9.343	269.7	29	5	1	30	12	68	0
10	509	9.749	269.7	30	5	1	30	12	68	1
11	510	10.123	269.8	31	6	1	30	12	68	0
12	511	10.554	269.8	32	32		30	12	68	3
13	512	10.941	269.9	33	40	1	30	12	68	0
14	513	11.336	269.8	34	12	1	30	12	68	0
15	514	11.735	269.9	35	-31	1	30	12	68	0
16	515	12.166	270.4	36	3	1	30	12	68	0
17	516	12.579	269.9	37	4	1	30	12	68	0
18	517	12.991	269.8	38	2	2	30	12	68	0
19	518	13.378	269.9	39	0	1	30	12	68	0
20	519	13.843	276.9	40	6	2	30	12	68	0

NEVADA TEST SITE 1985  
 SHOT NUMBER 11 SHOT POINT 20 TEAM 6  
 SHOT TIME: 44: 3:31: 0.008

LOC	DIST(KM)	AZIM	UNIT	CHRON	CHAN	C1	C2	C3	TAPE	GRADE
1	480	16.292	98.3	101	17	2	30	12	68	0
2	481	15.846	97.9	102	12	2	30	12	68	0
3	482	15.517	97.7	103	0	2	30	12	88	0
4	483	15.035	97.2	104	-4	2	30	12	88	0
5	484	22.110	40.7	105	27	1	30	12	88	0
6	485	13.876	96.9	106	-4	1	30	12	88	0
7	486	13.318	97.1	107	29	1	30	12	88	0
8	487	12.914	97.3	108	2	1	30	12	88	0
9	488	12.505	97.6	109	6	1	30	12	88	0
10	489	12.105	97.8	110	20	1	30	12	88	0
11	490	11.707	98.1	111	46	1	30	12	68	0
12	491	11.307	98.4	112	6	3	30	12	68	0
13	492	10.912	98.7	113	-13	1	30	12	68	0
14	493	10.523	99.0	114	1	1	30	12	68	0
15	494	10.122	99.4	115	6	1	30	12	68	0
16	495	9.736	99.8	116	13	1	30	12	68	0
17	496	9.326	100.1	117	-15	1	30	12	68	0
18	497	8.940	100.7	118	6	1	30	12	68	0
19	498	8.539	101.1	119	4	1	30	12	68	0
20	499	8.136	101.7	120	1	2	30	12	88	0

DKDAT FIELD DATA TABLE

NEVADA TEST SITE 1985  
 SHOT NUMBER 12 SHOT POINT 7 TEAM 3  
 SHOT TIME: 44: 3:33; 0.011

LOC	DIST(KM)	AZIM	UNIT	CHRON	CHAN	C1	C2	C3	TAPE	GRADE
1	420	26.939	95.1	41	-17	2	30	12	88	0
2	421	26.796	94.3	42	10	2	30	12	88	0
3	422	26.397	94.3	43	7	2	30	12	88	0
4	423	26.048	94.2	44	9	2	30	12	88	0
5	424	25.600	94.1	45	0	2	30	12	88	0
6	425	25.189	94.0	46	4	2	30	12	88	0
7	426	24.720	93.9	47	-7	1	30	12	48	0
8	427	24.358	93.8	48	-3	1	30	12	48	0
9	428	23.947	93.8	49	12	1	30	12	48	0
10	429	23.597	93.6	50	-29	1	30	12	48	0
11	433	21.934	96.0	51	8	2	30	12	48	0
12	434	21.587	96.6	52	-18	2	30	12	68	0
13	435	21.154	97.4	53	7	2	30	12	68	0
14	436	20.864	97.9	54	-7	2	30	12	88	0
15	437	20.477	98.7	55	6	2	30	12	88	0
16	438	20.067	99.4	56	20	2	30	12	88	0
17	439	19.728	99.7	57	8	2	30	12	88	0
18	440	19.350	100.0	58	14	2	30	12	88	0
19	441	18.935	100.4	59	-2	2	30	12	68	0
20	442	18.562	100.5	60	-6	2	30	12	68	0

DKDAT FIELD DATA TABLE

NEVADA TEST SITE 1985  
 SHOT NUMBER 12 SHOT POINT 7 TEAM 5  
 SHOT TIME: 44: 3:33; 0.011

LOC	DIST(KM)	AZIM	UNIT	CHRON	CHAN	C1	C2	C3	TAPE	GRADE
1	430	23.224	94.0	81	-28		30	12	68	1
2	431	22.809	94.6	82	--	2	30	12	68	0
3	432	22.348	95.4	83	18	2	30	12	68	0
4	443	18.155	100.6	84	-13	2	30	12	88	0
5	444	17.734	100.6	85	--		30	12	68	1
6	445	17.307	100.5	86	-4	1	30	12	68	0
7	446	16.828	100.0	87	-9	1	30	12	68	0
8	447	16.483	101.4	88	19	2	30	12	68	0
9	448	15.966	101.2	89	-4	2	30	12	68	0
10	449	15.157	100.7	90	9	2	30	12	88	0
11	450	14.687	100.3	91	9		30	12	88	1
12	451	14.219	99.8	92	0	2	30	12	88	0
13	452	13.692	99.3	93	0	2	30	12	88	0
14	453	13.369	99.0	94	19		30	12	88	28
15	454	12.991	98.5	95	-4	2	30	12	88	0
16	455	12.641	98.2	96	-19	1	30	12	88	0
17	456	12.251	98.0	97	-2	2	30	12	88	0
18	459	11.019	97.9	98	-17	2	30	12	88	0
19	458	11.429	97.8	99	16	2	30	12	68	0
20	457	11.833	97.9	100	11		30	12	68	1

DKDAT FIELD DATA TABLE

NEVADA TEST SITE 1985  
 SHOT NUMBER 12 SHOT POINT 7 TEAM 4  
 SHOT TIME: 44: 3:33; 0.011

LOC	DIST(KM)	AZIM	UNIT	CHRON	CHAN	C1	C2	C3	TAPE	GRADE
1	460	10.626	98.7	61	11	1	30	12	68	0
2	461	10.240	98.8	62	2	1	30	12	68	0
3	462	9.863	98.8	63	7	2	30	12	68	0
4	463	9.503	98.9	64	10	1	30	12	68	0
5	464	9.102	99.4	65	-4	1	30	12	68	0
6	465	8.640	99.8	66	6	1	30	12	88	0
7	466	8.242	100.2	67	-4	1	30	12	88	0
8	467	7.847	100.6	68	-4	1	30	12	88	0
9	468	7.446	101.1	69	1	1	30	12	88	0
10	469	7.059	101.6	70	36	1	30	12	88	0
11	470	6.668	102.3	71	12	1	30	12	88	0
12	471	6.233	102.7	72	7	1	30	12	88	0
13	472	5.823	103.5	73	-9	1	30	12	88	0
14	473	5.412	104.5	74	3	1	30	12	88	0
15	474	5.025	105.5	75	4	1	30	12	88	0
16	475	4.622	106.7	76	-4	1	30	12	68	0
17	476	4.276	108.2	77	9		30	12	68	1
18	477	3.801	106.8	78	-2	1	30	12	68	0
19	478	3.353	106.4	79	5	1	30	12	68	0
20	479	2.948	106.5	80	2	1	30	12	68	0

DKDAT FIELD DATA TABLE

NEVADA TEST SITE 1985  
 SHOT NUMBER 12 SHOT POINT 7 TEAM 6  
 SHOT TIME: 44: 3:33; 0.011

LOC	DIST(KM)	AZIM	UNIT	CHRON	CHAN	C1	C2	C3	TAPE	GRADE
1	480	2.501	106.3	101	18	3	30	12	68	0
2	481	2.046	105.6	102	12	3	30	12	68	0
3	482	1.710	104.5	103	0	2	30	12	88	0
4	483	1.218	101.4	104	-4	2	30	12	88	0
5	484	18.416	2.2	105	27	1	30	12	88	0
6	485	0.056	104.8	106	-4	3	30	12	88	0
7	486	0.507	269.7	107	29	3	30	12	88	0
8	487	0.914	270.0	108	2	1	30	12	88	0
9	488	1.927	269.6	109	6	1	30	12	88	0
10	489	1.730	269.9	110	20	1	30	12	88	0
11	490	2.132	269.9	111	46	3	30	12	68	0
12	491	2.536	269.9	112	6	1	30	12	68	0
13	492	2.935	270.0	113	-13	1	30	12	68	0
14	493	3.329	269.9	114	1	1	30	12	68	0
15	494	3.736	269.9	115	6	1	30	12	68	0
16	495	4.130	269.7	116	13	1	30	12	68	0
17	496	4.542	270.0	117	-15	1	30	12	68	0
18	497	4.938	269.8	118	6	1	30	12	68	0
19	498	5.344	269.9	119	4	1	30	12	68	0
20	499	5.755	270.0	120	1	2	30	12	88	0











DKDAT FIELD DATA TABLE

NEVADA TEST SITE 1985  
SHOT NUMBER 15 SHOT POINT 27 TEAM 5  
SHOT TIME: 44: 3:39: 0.010

Table with columns: LOC, DIST(KM), AZIM, UNIT, CHRON, CHAN, C1, C2, C3, GRADE. Contains 20 rows of field data for site 1985.

DKDAT FIELD DATA TABLE

NEVADA TEST SITE 1985  
SHOT NUMBER 16 SHOT POINT 26 TEAM 2  
SHOT TIME: 44: 5:31: 0.012

Table with columns: LOC, DIST(KM), AZIM, UNIT, CHRON, CHAN, C1, C2, C3, GRADE. Contains 20 rows of field data for site 1985.

DKDAT FIELD DATA TABLE

NEVADA TEST SITE 1985  
SHOT NUMBER 16 SHOT POINT 26 TEAM 1  
SHOT TIME: 44: 5:31: 0.012

Table with columns: LOC, DIST(KM), AZIM, UNIT, CHRON, CHAN, C1, C2, C3, GRADE. Contains 20 rows of field data for site 1985.

DKDAT FIELD DATA TABLE

NEVADA TEST SITE 1985  
SHOT NUMBER 16 SHOT POINT 26 TEAM 2  
SHOT TIME: 44: 5:31: 0.012

Table with columns: LOC, DIST(KM), AZIM, UNIT, CHRON, CHAN, C1, C2, C3, GRADE. Contains 20 rows of field data for site 1985.











DKDAT FIELD DATA TABLE

NEVADA TEST SITE 1985  
SHOT NUMBER 19 SHOT POINT 24 TEAM 5  
SHOT TIME: 44: 5:37: 0.009

Table with 7 columns: LOC, DIST(KM), AZIM, UNIT, CHRON, CHAN, C1, C2, C3, TAPE, GRADE. Contains 20 rows of data for shot 19.

DKDAT FIELD DATA TABLE

NEVADA TEST SITE 1985  
SHOT NUMBER 20 SHOT POINT 29 TEAM 1  
SHOT TIME: 44: 5:39: 0.008

Table with 7 columns: LOC, DIST(KM), AZIM, UNIT, CHRON, CHAN, C1, C2, C3, TAPE, GRADE. Contains 20 rows of data for shot 20.

DKDAT FIELD DATA TABLE

NEVADA TEST SITE 1985  
SHOT NUMBER 19 SHOT POINT 24 TEAM 6  
SHOT TIME: 44: 5:37: 0.009

Table with 7 columns: LOC, DIST(KM), AZIM, UNIT, CHRON, CHAN, C1, C2, C3, TAPE, GRADE. Contains 20 rows of data for shot 19.

DKDAT FIELD DATA TABLE

NEVADA TEST SITE 1985  
SHOT NUMBER 20 SHOT POINT 29 TEAM 2  
SHOT TIME: 44: 5:39: 0.008

Table with 7 columns: LOC, DIST(KM), AZIM, UNIT, CHRON, CHAN, C1, C2, C3, TAPE, GRADE. Contains 20 rows of data for shot 20.





DKDAT FIELD DATA TABLE

NEVADA TEST SITE 1985  
SHOT NUMBER 21 SHOT POINT 19 TEAM 1  
SHOT TIME: 47: 3:31; 0.010

Table with columns: LOC, DIST(KM), AZIM, UNIT, CHRON, CHAN, C1, C2, C3, TAPE, GRADE. Contains 20 rows of field data.

DKDAT FIELD DATA TABLE

NEVADA TEST SITE 1985  
SHOT NUMBER 21 SHOT POINT 19 TEAM 3  
SHOT TIME: 47: 3:31; 0.010

Table with columns: LOC, DIST(KM), AZIM, UNIT, CHRON, CHAN, C1, C2, C3, TAPE, GRADE. Contains 20 rows of field data.

DKDAT FIELD DATA TABLE

NEVADA TEST SITE 1985  
SHOT NUMBER 21 SHOT POINT 19 TEAM 2  
SHOT TIME: 47: 3:31; 0.010

Table with columns: LOC, DIST(KM), AZIM, UNIT, CHRON, CHAN, C1, C2, C3, TAPE, GRADE. Contains 20 rows of field data.

DKDAT FIELD DATA TABLE

NEVADA TEST SITE 1985  
SHOT NUMBER 21 SHOT POINT 19 TEAM 4  
SHOT TIME: 47: 3:31; 0.010

Table with columns: LOC, DIST(KM), AZIM, UNIT, CHRON, CHAN, C1, C2, C3, TAPE, GRADE. Contains 20 rows of field data.



DKDAT FIELD DATA TABLE

NEVADA TEST SITE 1985  
 SHOT NUMBER 22 SHOT POINT 11 TEAM 3  
 SHOT TIME: 47: 3:33: 0.016

LOC	DIST(KM)	AZIM	UNIT	CHRON	CHAN	C1	C2	C3	TAPE	GRADE
1	344	15.273	184.9	41	-23	1	30	12	88	0
2	343	15.676	184.6	42	7	1	30	12	88	0
3	342	16.072	184.5	43	4	4	30	12	88	6
4	341	16.467	184.3	44	7	1	30	12	88	0
5	340	16.867	184.2	45	0	1	30	12	88	0
6	339	17.272	184.0	46	18	1	30	12	88	0
7	338	17.683	183.8	47	-3	1	30	12	68	0
8	337	18.238	184.1	48	0	0	30	12	68	21
9	336	18.650	184.0	49	7	1	30	12	68	0
10	335	19.037	183.9	50	-2	1	30	12	68	0
11	334	19.356	183.7	51	--	1	30	12	68	0
12	333	19.667	183.2	52	-18	1	30	12	68	0
13	332	20.129	183.1	53	7	1	30	12	68	0
14	331	20.530	183.1	54	-8	1	30	12	88	0
15	330	20.932	183.1	55	-4	1	30	12	88	0
16	329	21.335	183.1	56	17	1	30	12	88	0
17	328	21.736	183.1	57	5	1	30	12	88	0
18	327	22.170	183.1	58	13	2	30	12	88	0
19	326	22.424	183.0	59	-3	2	30	12	88	0
20	325	22.873	183.0	60	-6	2	30	12	88	0

DKDAT FIELD DATA TABLE

NEVADA TEST SITE 1985  
 SHOT NUMBER 22 SHOT POINT 11 TEAM 5  
 SHOT TIME: 47: 3:33: 0.016

LOC	DIST(KM)	AZIM	UNIT	CHRON	CHAN	C1	C2	C3	TAPE	GRADE
1	285	38.134	186.5	81	-28		30	12	88	6
2	286	37.668	186.5	82	-7	2	30	12	88	0
3	287	37.277	186.5	83	20	2	30	12	88	0
4	288	36.866	186.6	84	-16	2	30	12	88	0
5	289	36.465	186.7	85	0	2	30	12	88	0
6	290	36.064	186.9	86	-2	2	30	12	88	0
7	291	35.684	186.8	87	10	2	30	12	88	0
8	292	35.289	186.5	88	22	2	30	12	88	0
9	293	34.922	186.3	89	-2	2	30	12	68	0
10	294	34.531	186.1	90	10	2	30	12	68	0
11	295	34.170	185.9	91	18	2	30	12	68	1
12	296	33.776	185.7	92	0	2	30	12	68	0
13	297	33.401	185.5	93	-3	2	30	12	68	0
14	298	33.006	185.2	94	-104		30	12	68	1
15	299	32.636	184.9	95	0	1	30	12	88	0
16	300	32.238	184.7	96	-21	2	30	12	88	0
17	301	31.871	184.5	97	-3	1	30	12	88	0
18	302	31.495	184.2	98	-17	1	30	12	88	0
19	303	31.120	183.9	99	18	1	30	12	88	0
20	304	30.718	183.9	100	13		30	12	88	1

DKDAT FIELD DATA TABLE

NEVADA TEST SITE 1985  
 SHOT NUMBER 22 SHOT POINT 11 TEAM 4  
 SHOT TIME: 47: 3:33: 0.016

LOC	DIST(KM)	AZIM	UNIT	CHRON	CHAN	C1	C2	C3	TAPE	GRADE
1	305	30.414	183.9	61	3	1	30	12	68	0
2	306	30.010	183.9	62	-2	2	30	12	88	0
3	307	29.581	183.8	63	7	2	30	12	88	0
4	311	29.413	183.8	64	21	2	30	12	88	0
5	308	29.205	183.8	65	-7	2	30	12	88	0
6	309	28.788	183.8	66	3	2	30	12	88	0
7	310	28.396	183.8	67	-10	2	30	12	68	0
8	312	27.953	184.7	68	-6	2	30	12	68	0
9	313	27.568	184.5	69	1	2	30	12	48	0
10	314	27.177	184.2	70	44	2	30	12	48	0
11	315	26.787	184.0	71	6	6	30	12	48	1
12	316	26.413	183.7	72	28	2	30	12	48	0
13	317	26.126	183.4	73	-8	2	30	12	48	0
14	318	25.747	183.1	74	1	2	30	12	48	0
15	319	25.367	182.8	75	2	3	30	12	48	0
16	320	25.017	182.5	76	2	1	30	12	48	0
17	321	24.611	182.2	77	6	2	30	12	48	0
18	322	24.240	181.9	78	0	2	30	12	48	0
19	323	23.668	183.1	79	8	1	30	12	68	0
20	324	23.269	183.1	80	12		30	12	68	1

DKDAT FIELD DATA TABLE

NEVADA TEST SITE 1985 SHOT POINT 8 TEAM 1  
 SHOT NUMBER 23 SHOT POINT 8 TEAM 1  
 SHOT TIME: 47: 31:35; 0.018

LOC	DIST(KM)	AZIM	UNIT	CHRON	CHAN	C1	C2	C3	GRADE	TAPE
1	344	31.336	41	-23	1	30	12	88	0	0
2	343	30.940	42	7	1	30	12	88	0	0
3	342	30.547	43	4	1	30	12	88	0	0
4	341	30.157	44	7	1	30	12	88	0	0
5	340	29.763	45	0	1	30	12	88	0	0
6	339	29.363	46	18	1	30	12	88	0	0
7	338	28.959	47	-3	1	30	12	68	21	21
8	337	28.559	48	0	1	30	12	68	0	0
9	336	27.993	49	7	1	30	12	68	0	0
10	335	27.610	50	-2	1	30	12	68	0	0
11	334	27.303	51	--	1	30	12	68	0	0
12	333	27.011	52	-18	1	30	12	68	0	0
13	332	26.559	53	7	1	30	12	68	0	0
14	331	26.161	54	-8	1	30	12	88	0	0
15	330	25.764	55	-4	1	30	12	88	0	0
16	329	25.364	56	17	1	30	12	88	0	0
17	328	24.966	57	5	1	30	12	88	0	0
18	327	24.537	58	13	1	30	12	88	0	0
19	326	24.291	59	-3	1	30	12	88	0	0
20	325	23.845	60	-6	1	30	12	88	0	0

DKDAT FIELD DATA TABLE

NEVADA TEST SITE 1985 SHOT POINT 8 TEAM 3  
 SHOT NUMBER 23 SHOT POINT 8 TEAM 3  
 SHOT TIME: 47: 31:35; 0.018

LOC	DIST(KM)	AZIM	UNIT	CHRON	CHAN	C1	C2	C3	GRADE	TAPE
1	305	16.339	61	3	3	30	12	68	0	0
2	306	16.739	62	-2	1	30	12	88	0	0
3	307	17.163	63	7	1	30	12	88	0	0
4	311	17.330	64	21	1	30	12	88	0	0
5	308	17.536	65	-7	1	30	12	88	6	6
6	309	17.949	66	3	3	30	12	88	0	0
7	310	18.339	67	-10	1	30	12	68	0	0
8	312	18.710	68	-6	1	30	12	68	0	0
9	313	19.108	69	1	1	30	12	48	0	0
10	314	19.511	70	44	1	30	12	48	0	0
11	315	19.915	71	6	6	30	12	48	1	1
12	316	20.305	72	28	1	30	12	48	0	0
13	317	20.604	73	-8	1	30	12	48	0	0
14	318	21.001	74	1	1	30	12	48	0	0
15	319	21.398	75	2	3	30	12	48	0	0
16	320	21.766	76	2	1	30	12	48	0	0
17	321	22.192	77	6	1	30	12	48	0	0
18	322	22.584	78	6	1	30	12	48	0	0
19	323	23.055	79	8	1	30	12	68	0	0
20	324	23.452	80	12	1	30	12	68	0	0

DKDAT FIELD DATA TABLE

NEVADA TEST SITE 1985 SHOT POINT 8 TEAM 2  
 SHOT NUMBER 23 SHOT POINT 8 TEAM 2  
 SHOT TIME: 47: 31:35; 0.018

LOC	DIST(KM)	AZIM	UNIT	CHRON	CHAN	C1	C2	C3	GRADE	TAPE
1	363	39.053	6.7	21	-13	1	30	12	88	0
2	362	38.655	6.5	22	10	1	30	12	88	0
3	361	38.269	6.2	23	19	1	30	12	88	0
4	360	37.905	6.0	24	-5	1	30	12	88	0
5	359	37.577	5.7	25	-3	1	30	12	88	0
6	358	37.161	5.6	26	3	1	30	12	68	0
7	357	36.713	6.2	27	5	1	30	12	68	3
8	356	36.269	6.4	28	-91	1	30	12	68	0
9	355	35.861	6.4	29	11	2	30	12	68	0
10	354	35.401	6.3	30	6	1	30	12	68	0
11	353	34.943	6.5	31	6	1	30	12	48	0
12	352	34.638	6.9	32	19	1	30	12	68	3
13	351	34.140	7.1	33	36	1	30	12	68	0
14	350	33.792	7.3	34	9	1	30	12	68	0
15	183	33.446	7.2	35	-34	1	30	12	68	0
16	349	33.287	7.8	36	0	1	30	12	68	0
17	348	32.900	7.9	37	4	1	30	12	68	0
18	347	32.513	8.1	38	3	2	30	12	88	0
19	346	32.120	8.2	39	0	1	30	12	88	0
20	345	31.730	8.4	40	6	1	30	12	88	0





DKDAT FIELD DATA TABLE

NEVADA TEST SITE 1985  
SHOT NUMBER 25 SHOT POINT 10 TEAM 1  
SHOT TIME: 47: 3:39: 0.084

LOC	DIST(KM)	AZIM	UNIT	CHRON	CHAN	C1	C2	C3	TAPE	GRADE
1	8	61.305	191.4	1	15	1	30	12	88	0
2	9	68.508	188.7	2	1	1	30	12	88	0
3	284	53.205	191.3	3	10	2	30	12	88	0
4	283	53.542	191.3	4	-19	2	30	12	88	0
5	282	53.955	191.2	5	13	3	30	12	88	1
6	281	54.410	191.2	6	7	2	30	12	88	0
7	13	30.288	194.4	7	-8	1	30	12	88	0
8	10	0.000	180.0	8	6	1	30	12	88	0
9	29	59.892	211.7	9	14	1	30	12	88	0
10	5	34.057	215.7	10	-7	2	30	12	88	0
11	41	25.931	256.1	11	-37	1	30	12	48	0
12	384	14.498	204.9	12	11	1	30	12	88	0
13	385	14.188	205.6	13	2	1	30	12	88	0
14	386	13.802	205.3	14	-29	1	30	12	68	0
15	387	13.514	206.8	15	4	1	30	12	68	0
16	388	13.209	207.1	16	-7	3	30	12	48	6
17	86	27.699	177.3	17	22	1	30	12	48	0
18	87	25.935	178.9	18	-21	1	30	12	48	0
19	88	24.171	180.5	19	54	1	30	12	48	0
20	89	22.885	181.4	20	-13	1	30	12	48	0

DKDAT FIELD DATA TABLE

NEVADA TEST SITE 1985  
SHOT NUMBER 25 SHOT POINT 10 TEAM 3  
SHOT TIME: 47: 3:39: 0.084

LOC	DIST(KM)	AZIM	UNIT	CHRON	CHAN	C1	C2	C3	TAPE	GRADE
1	344	30.041	194.2	41	-23	1	30	12	88	0
2	343	30.424	193.9	42	7	1	30	12	88	0
3	342	30.811	193.8	43	4	1	30	12	88	0
4	341	31.193	193.6	44	7	1	30	12	88	0
5	340	31.580	193.4	45	0	1	30	12	88	0
6	339	31.973	193.2	46	18	1	30	12	88	0
7	338	32.371	193.0	47	-3	1	30	12	68	0
8	337	32.932	193.0	48	0	1	30	12	68	21
9	336	33.333	192.8	49	7	1	30	12	68	0
10	335	33.712	192.6	50	-2	2	30	12	68	0
11	334	34.014	192.4	51	--	1	30	12	68	0
12	333	34.299	192.1	52	-18	2	30	12	68	0
13	332	34.749	191.9	53	7	2	30	12	68	0
14	331	35.145	191.8	54	-8	2	30	12	88	0
15	330	35.542	191.7	55	-4	2	30	12	88	0
16	329	35.941	191.6	56	17	2	30	12	88	0
17	328	36.339	191.5	57	5	2	30	12	88	0
18	327	36.767	191.4	58	13	2	30	12	88	0
19	326	37.014	191.3	59	-3	2	30	12	88	0
20	325	37.460	191.2	60	-6	2	30	12	88	0

DKDAT FIELD DATA TABLE

NEVADA TEST SITE 1985  
SHOT NUMBER 25 SHOT POINT 10 TEAM 2  
SHOT TIME: 47: 3:39: 0.084

LOC	DIST(KM)	AZIM	UNIT	CHRON	CHAN	C1	C2	C3	TAPE	GRADE
1	363	22.598	199.4	21	-13	1	30	12	88	0
2	362	23.026	199.6	22	10	1	30	12	88	0
3	361	23.439	199.8	23	20	1	30	12	88	0
4	360	23.835	200.0	24	-5	1	30	12	88	0
5	359	24.197	200.2	25	-3	1	30	12	88	0
6	358	24.610	200.1	26	3	1	30	12	68	0
7	357	24.956	199.0	27	5	1	30	12	68	0
8	356	25.360	198.4	28	-91	1	30	12	68	3
9	355	25.757	198.2	29	11	1	30	12	68	0
10	354	26.221	198.2	30	6	1	30	12	68	0
11	353	26.653	197.8	31	6	1	30	12	48	0
12	352	26.910	197.2	32	20	1	30	12	68	3
13	351	27.373	196.7	33	36	1	30	12	68	0
14	350	27.695	196.3	34	9	1	30	12	68	0
15	183	28.046	196.3	35	-34	1	30	12	68	0
16	349	28.161	195.6	36	0	1	30	12	68	0
17	348	28.532	195.4	37	4	1	30	12	68	0
18	347	28.903	195.1	38	3	1	30	12	88	0
19	346	29.283	194.8	39	0	1	30	12	88	0
20	345	29.659	194.5	40	6	1	30	12	88	0



DKDAT FIELD DATA TABLE

NEVADA TEST SITE 1985  
 SHOT NUMBER 25 SHOT POINT 10 TEAM 5  
 SHOT TIME: 47: 3:39; 0.084

LOC	DIST(KM)	AZIM	UNIT	CHRON	CHAN	C1	C2	C3	TAPE	GRADE
1	52.824	191.3	81	-28		30	12	88	1	
2	52.359	191.4	82	-7	2	30	12	88	0	
3	51.972	191.4	83	20	2	30	12	88	0	
4	51.566	191.5	84	-16	2	30	12	88	0	
5	51.173	191.7	85	0	2	30	12	88	C	
6	50.783	191.8	86	-2	2	30	12	88	0	
7	50.398	191.8	87	10	2	30	12	88	0	
8	49.993	191.7	88	22	2	30	12	88	0	
9	49.616	191.5	89	-2	2	30	12	88	0	
10	49.214	191.4	90	10	2	30	12	88	0	
11	48.843	191.3	91	18		30	12	88	1	
12	48.438	191.2	92	0	2	30	12	88	0	
13	48.052	191.1	93	-3	2	30	12	88	0	
14	47.642	190.9	94	-105		30	12	88	1	
15	47.262	190.8	95	0	2	30	12	88	0	
16	46.853	190.7	96	-21	2	30	12	88	0	
17	46.473	190.6	97	-3	2	30	12	88	0	
18	46.083	190.5	98	-17	2	30	12	88	0	
19	45.695	190.4	99	18	2	30	12	88	0	
20	45.294	190.4	100	13		30	12	88	1	

DKDAT FIELD DATA TABLE

NEVADA TEST SITE 1985  
 SHOT NUMBER 26 SHOT POINT 5 TEAM 1  
 SHOT TIME: 47: 5:31; 0.012

LOC	DIST(KM)	AZIM	UNIT	CHRON	CHAN	C1	C2	C3	TAPE	GRADE
1	33.385	166.4	1	16	1	30	12	88	0	
2	41.188	166.6	2	1	1	30	12	88	0	
3	26.313	158.8	3	11	2	30	12	88	0	
4	26.602	159.2	4	-20	1	30	12	88	0	
5	26.983	159.5	5	14		30	12	88	1	
6	27.393	159.9	6	8	1	30	12	88	0	
7	12.474	97.8	7	-9	1	30	12	88	0	
8	34.057	35.7	8	6	1	30	12	88	0	
9	26.026	206.4	9	15		30	12	88	1	
10	0.000	180.0	10	-7	2	30	12	88	0	
11	22.068	346.0	11	-40	1	30	12	48	0	
12	20.010	43.6	12	12	1	30	12	88	0	
13	20.246	42.8	13	2	1	30	12	88	0	
14	20.638	42.7	14	-31	1	30	12	88	0	
15	20.817	41.5	15	4	1	30	12	68	0	
16	21.091	41.1	16	-7		30	12	48	6	
17	21.201	90.1	17	24	1	30	12	48	0	
18	20.477	85.2	18	-23	1	30	12	48	0	
19	20.013	80.0	19	58	1	30	12	48	0	
20	19.944	76.2	20	-14	3	30	12	48	0	

DKDAT FIELD DATA TABLE

NEVADA TEST SITE 1985  
 SHOT NUMBER 25 SHOT POINT 10 TEAM 6  
 SHOT TIME: 47: 3:39; 0.084

LOC	DIST(KM)	AZIM	UNIT	CHRON	CHAN	C1	C2	C3	TAPE	GRADE
1	15.123	203.7	101	17	1	30	12	88	0	
2	15.477	202.9	102	12	1	30	12	88	0	
3	15.627	202.6	103	-6	1	30	12	88	0	
4	16.241	201.9	104	-2	1	30	12	88	0	
5	16.579	201.3	105	24	1	30	12	88	0	
6	16.988	201.1	106	-9	1	30	12	88	0	
7	17.465	201.0	107	18	1	30	12	88	0	
8	17.766	201.0	108	-3	1	30	12	68	0	
9	18.186	200.9	109	6	1	30	12	68	0	
10	18.810	201.3	110	21	1	30	12	68	0	
11	19.092	201.2	111	8	1	30	12	68	0	
12	19.431	201.9	112	1	1	30	12	68	0	
13	19.743	201.5	113	-14	1	30	12	68	0	
14	20.158	201.8	114	-2	1	30	12	68	0	
15	20.553	201.8	115	4	1	30	12	88	0	
16	20.922	201.0	116	10	1	30	12	88	0	
17	21.277	200.6	117	-18	1	30	12	88	0	
18	21.641	200.1	118	3	1	30	12	88	0	
19	22.007	199.8	119	4	1	30	12	88	0	
20	22.111	199.3	120	0	2	30	12	88	0	

NEVADA TEST SITE 1985  
 SHOT NUMBER 26 SHOT POINT 5 TEAM 2  
 SHOT TIME: 47: 5:31; 0.012

LOC	DIST(KM)	AZIM	UNIT	CHRON	CHAN	C1	C2	C3	TAPE	GRADE
1	13.920	62.9	21	-14	1	30	12	88	0	
2	13.553	63.9	22	11	1	30	12	88	0	
3	13.209	64.9	23	21	1	30	12	88	0	
4	12.874	65.9	24	-6	1	30	12	88	0	
5	12.556	66.8	25	-3		30	12	88	3	
6	12.323	68.4	26	3	1	30	12	88	0	
7	12.466	71.1	27	6	1	30	12	68	0	
8	12.412	73.2	28	-97	1	30	12	68	0	
9	12.267	75.0	29	11	1	30	12	68	0	
10	12.043	76.9	30	6	1	30	12	68	0	
11	11.979	79.1	31	6	1	30	12	48	0	
12	12.115	80.8	32	21	1	30	12	68	0	
13	12.140	83.3	33	39		30	12	68	3	
14	12.191	85.0	34	10	1	30	12	68	0	
15	12.062	86.5	35	-37	1	30	12	68	0	
16	12.323	87.5	36	0	1	30	12	68	0	
17	12.349	89.4	37	5	1	30	12	68	0	
18	12.396	91.2	38	3	1	30	12	88	0	
19	12.446	93.1	39	0	1	30	12	88	0	
20	12.528	94.9	40	6	1	30	12	88	0	

DKDAT FIELD DATA TABLE

NEVADA TEST SITE 1985  
SHOT NUMBER 26 SHOT POINT 5 TEAM 3  
SHOT TIME: 47: 5:31: 0.012

LOC	DIST(KM)	AZIM	UNIT	CHRON	CHAN	C1	C2	C3	TAPE	GRADE
1	344	12.611	96.7	41	-25	1	30	12 88	0	0
2	343	12.722	98.5	42	7	1	30	12 88	0	0
3	342	12.781	100.3	43	4	1	30	12 88	0	0
4	341	12.875	102.0	44	8	1	30	12 88	0	0
5	340	12.982	103.7	45	0	1	30	12 88	0	0
6	339	13.096	105.4	46	20	1	30	12 88	0	0
7	338	13.237	107.1	47	-3	1	30	12 68	0	0
8	337	13.292	109.5	48	0	2	30	12 68	0	0
9	336	13.449	111.2	49	8	1	30	12 68	0	0
10	335	13.590	112.7	50	-2	1	30	12 68	0	0
11	334	13.777	113.8	51	--	1	30	12 68	0	0
12	333	14.023	114.8	52	-20	1	30	12 68	0	0
13	332	14.248	116.5	53	7	1	30	12 68	0	0
14	331	14.409	117.9	54	-9	1	30	12 88	0	0
15	330	14.587	119.4	55	-4	1	30	12 88	0	0
16	329	14.767	120.8	56	19	1	30	12 88	0	0
17	328	14.949	122.2	57	5	1	30	12 88	0	0
18	327	15.169	123.6	58	14	1	30	12 88	0	0
19	326	15.330	124.3	59	-3	1	30	12 88	0	0
20	325	15.557	125.8	60	-7	1	30	12 88	0	0

DKDAT FIELD DATA TABLE

NEVADA TEST SITE 1985  
SHOT NUMBER 26 SHOT POINT 5 TEAM 5  
SHOT TIME: 47: 5:31: 0.012

LOC	DIST(KM)	AZIM	UNIT	CHRON	CHAN	C1	C2	C3	TAPE	GRADE
1	285	25.960	158.4	81	-30		30	12 88	1	1
2	286	25.556	157.9	82	-8	1	30	12 88	0	0
3	287	25.197	157.6	83	22	1	30	12 88	0	0
4	288	24.815	157.2	84	-17	1	30	12 88	0	0
5	289	24.427	156.9	85	1	2	30	12 88	0	0
6	290	24.031	156.6	86	-3	1	30	12 88	0	0
7	291	23.736	156.0	87	11	1	30	12 88	0	0
8	292	23.466	155.3	88	23	1	30	12 88	0	0
9	293	23.220	154.5	89	-3	1	30	12 68	0	0
10	294	22.958	153.7	90	11	1	30	12 68	0	0
11	295	22.729	152.9	91	20		30	12 68	1	1
12	296	22.471	152.1	92	0	1	30	12 68	0	0
13	297	22.232	151.3	93	-3	1	30	12 68	0	0
14	298	22.001	150.4	94	-112		30	12 68	1	1
15	299	21.768	149.6	95	0	1	30	12 88	0	0
16	300	21.517	148.7	96	-23	1	30	12 88	0	0
17	301	21.306	147.8	97	-4	1	30	12 88	0	0
18	302	21.097	146.9	98	-18	1	30	12 88	0	0
19	303	20.887	145.9	99	20	1	30	12 88	0	0
20	304	20.578	145.2	100	13		30	12 88	1	1

DKDAT FIELD DATA TABLE

NEVADA TEST SITE 1985  
SHOT NUMBER 26 SHOT POINT 5 TEAM 4  
SHOT TIME: 47: 5:31: 0.012

LOC	DIST(KM)	AZIM	UNIT	CHRON	CHAN	C1	C2	C3	TAPE	GRADE
1	305	20.356	144.6	61	3	1	30	12 68	0	0
2	306	20.049	143.9	62	-2	1	30	12 88	0	0
3	307	19.729	143.0	63	8	2	30	12 88	0	0
4	311	19.609	142.7	64	23	2	30	12 88	0	0
5	308	19.456	142.3	65	-8	2	30	12 88	0	0
6	309	19.155	141.4	66	3	2	30	12 88	0	0
7	310	18.874	140.6	67	-11	2	30	12 68	0	0
8	312	18.222	140.7	68	-6	1	30	12 68	0	0
9	313	18.039	139.6	69	1	1	30	12 48	0	0
10	314	17.847	138.4	70	48	1	30	12 48	0	0
11	315	17.670	137.3	71	7		30	12 48	1	1
12	316	17.516	136.1	72	30	1	30	12 48	0	0
13	317	17.400	135.1	73	-9	1	30	12 48	0	0
14	318	17.254	133.9	74	1	2	30	12 48	0	0
15	319	17.109	132.6	75	2	2	30	12 48	0	0
16	320	16.986	131.5	76	2	1	30	12 48	0	0
17	321	16.851	130.1	77	7	1	30	12 48	0	0
18	322	16.738	128.8	78	0	1	30	12 48	0	0
19	323	15.982	128.2	79	8	1	30	12 68	0	0
20	324	15.771	127.0	80	13	1	30	12 68	0	0

DKDAT FIELD DATA TABLE

NEVADA TEST SITE 1985  
SHOT NUMBER 26 SHOT POINT 5 TEAM 6  
SHOT TIME: 47: 5:31: 0.012

LOC	DIST(KM)	AZIM	UNIT	CHRON	CHAN	C1	C2	C3	TAPE	GRADE
1	383	19.526	45.0	101	19	1	30	12 88	0	0
2	382	19.277	46.0	102	13	1	30	12 88	0	0
3	381	19.178	46.4	103	-6	1	30	12 88	0	0
4	380	18.705	47.7	104	-3	1	30	12 88	0	0
5	379	18.471	48.6	105	26	1	30	12 88	0	0
6	378	18.140	49.4	106	-10	1	30	12 68	0	0
7	377	17.732	50.2	107	20	1	30	12 68	0	0
8	376	17.474	50.7	108	-3	1	30	12 68	0	0
9	375	17.133	51.5	109	7	1	30	12 68	0	0
10	374	16.519	52.2	110	22	1	30	12 68	0	0
11	373	16.304	52.8	111	9	1	30	12 68	0	0
12	372	15.898	52.8	112	1	1	30	12 68	0	0
13	371	15.689	53.7	113	-15	1	30	12 68	0	0
14	370	15.281	54.2	114	-2	1	30	12 68	0	0
15	369	14.957	55.1	115	4	1	30	12 88	0	0
16	368	14.814	56.8	116	11	1	30	12 88	0	0
17	367	14.610	58.0	117	-20	1	30	12 88	0	0
18	366	14.444	59.5	118	3	1	30	12 88	0	0
19	365	14.241	60.8	119	4	1	30	12 88	0	0
20	364	14.300	61.7	120	0	2	30	12 88	0	0

DKDAT FIELD DATA TABLE

NEVADA TEST SITE 1985  
SHOT NUMBER 27 SHOT POINT 12 TEAM 1  
SHOT TIME: 47: 5:33; 0.005

Table with columns: LOC, DIST(KM), AZIM, UNIT, CHRON, CHAN, C1, C2, C3, TAPE GRADE. Contains 20 rows of field data for Nevada Test Site 1985.

DKDAT FIELD DATA TABLE

NEVADA TEST SITE 1985  
SHOT NUMBER 27 SHOT POINT 12 TEAM 2  
SHOT TIME: 47: 5:33; 0.005

Table with columns: LOC, DIST(KM), AZIM, UNIT, CHRON, CHAN, C1, C2, C3, TAPE GRADE. Contains 20 rows of field data for Nevada Test Site 1985.

DKDAT FIELD DATA TABLE

NEVADA TEST SITE 1985  
SHOT NUMBER 27 SHOT POINT 12 TEAM 3  
SHOT TIME: 47: 5:33; 0.005

Table with columns: LOC, DIST(KM), AZIM, UNIT, CHRON, CHAN, C1, C2, C3, TAPE GRADE. Contains 20 rows of field data for Nevada Test Site 1985.

DKDAT FIELD DATA TABLE

NEVADA TEST SITE 1985  
SHOT NUMBER 27 SHOT POINT 12 TEAM 4  
SHOT TIME: 47: 5:33; 0.005

Table with columns: LOC, DIST(KM), AZIM, UNIT, CHRON, CHAN, C1, C2, C3, TAPE GRADE. Contains 20 rows of field data for Nevada Test Site 1985.

DKDAT FIELD DATA TABLE

NEVADA TEST SITE 1985  
 SHOT NUMBER 28 SHOT POINT 6 TEAM 1  
 SHOT TIME: 47: 5:35: 0.012

LOC	DIST(KM)	AZIM	UNIT	CHRON	CHAN	C1	C2	C3	TAPE GRADE
1	8	17.331	193.4	1	16	1	30	12	88 0
2	9	24.581	185.4	2	1	1	30	12	88 0
3	284	9.235	194.7	3	11	1	30	12	88 0
4	283	9.571	194.5	4	-20	1	30	12	88 0
5	282	9.980	194.0	5	14	1	30	12	88 1
6	281	10.433	193.7	6	8	1	30	12	88 0
7	13	13.920	2.1	7	-9	2	30	12	88 0
8	10	43.990	10.6	8	6	2	30	12	88 0
9	29	24.685	251.8	9	15	1	30	12	88 0
10	5	19.587	322.8	10	-7	2	30	12	88 0
11	41	40.797	335.1	11	-40	2	30	12	88 0
12	384	30.154	3.7	12	12	2	30	12	88 0
13	385	30.512	3.6	13	2	2	30	12	88 0
14	386	30.841	4.0	14	-32	2	30	12	88 0
15	387	31.241	3.6	15	4	2	30	12	88 0
16	388	31.555	3.7	16	-7	2	30	12	88 6
17	86	18.174	31.0	17	24	2	30	12	88 0
18	87	19.318	26.3	18	-23	2	30	12	88 0
19	88	20.635	22.4	19	58	2	30	12	88 0
20	89	21.713	20.3	20	-14	3	30	12	88 0

DKDAT FIELD DATA TABLE

NEVADA TEST SITE 1985  
 SHOT NUMBER 27 SHOT POINT 12 TEAM 5  
 SHOT TIME: 47: 5:33: 0.005

LOC	DIST(KM)	AZIM	UNIT	CHRON	CHAN	C1	C2	C3	TAPE GRADE
1	285	31.115	185.6	81	-30		30	12	88 1
2	286	30.650	185.5	82	-8	2	30	12	88 0
3	287	30.258	185.6	83	22	2	30	12	88 0
4	288	29.846	185.7	84	-17	2	30	12	88 0
5	289	29.444	185.8	85	1	2	30	12	88 0
6	290	29.042	186.0	86	-3	2	30	12	88 0
7	291	28.662	185.8	87	11	2	30	12	88 0
8	292	28.270	185.5	88	23	2	30	12	88 0
9	293	27.905	185.3	89	-3	2	30	12	88 0
10	294	27.516	185.0	90	11	2	30	12	88 0
11	295	27.159	184.7	91	20		30	12	88 1
12	296	26.768	184.4	92	0	2	30	12	88 0
13	297	26.396	184.1	93	-3	2	30	12	88 0
14	298	26.005	183.7	94	-112		30	12	88 1
15	299	25.639	183.4	95	0	2	30	12	88 0
16	300	25.244	183.1	96	-23	2	30	12	88 0
17	301	24.881	182.8	97	-4	1	30	12	88 0
18	302	24.510	182.4	98	-18	1	30	12	88 0
19	303	24.140	182.0	99	20	1	30	12	88 0
20	304	23.739	182.0	100	13		30	12	88 1

DKDAT FIELD DATA TABLE

NEVADA TEST SITE 1985  
 SHOT NUMBER 28 SHOT POINT 6 TEAM 2  
 SHOT TIME: 47: 5:35: 0.012

LOC	DIST(KM)	AZIM	UNIT	CHRON	CHAN	C1	C2	C3	TAPE GRADE
1	363	21.934	1.5	21	-14	2	30	12	88 0
2	362	21.554	0.9	22	11	2	30	12	88 0
3	361	21.187	0.3	23	21	2	30	12	88 0
4	360	20.843	359.8	24	-6	2	30	12	88 0
5	359	20.537	359.2	25	-3	2	30	12	88 3
6	358	20.129	358.9	26	3	2	30	12	88 0
7	357	19.641	359.9	27	6	2	30	12	88 0
8	356	19.184	0.1	28	-97	2	30	12	88 3
9	355	18.777	0.0	29	11	2	30	12	88 0
10	354	18.328	359.6	30	6	2	30	12	88 0
11	353	17.864	359.7	31	6	2	30	12	88 0
12	352	17.533	0.4	32	21		30	12	88 3
13	351	17.020	0.7	33	39	2	30	12	88 0
14	350	16.660	1.0	34	10	2	30	12	88 0
15	183	16.323	0.7	35	-37		30	12	88 0
16	349	16.133	1.7	36	0	2	30	12	88 0
17	348	15.738	1.8	37	5	2	30	12	88 0
18	347	15.343	2.1	38	3	2	30	12	88 0
19	346	14.942	2.2	39	0	2	30	12	88 0
20	345	14.543	2.5	40	6	2	30	12	88 0

DKDAT FIELD DATA TABLE

NEVADA TEST SITE 1985  
 SHOT NUMBER 27 SHOT POINT 12 TEAM 6  
 SHOT TIME: 47: 5:33: 0.005

LOC	DIST(KM)	AZIM	UNIT	CHRON	CHAN	C1	C2	C3	TAPE GRADE
1	383	7.093	10.4	101	19	1	30	12	88 0
2	382	6.703	11.4	102	13	1	30	12	88 0
3	381	6.537	12.0	103	-6	1	30	12	88 0
4	380	5.899	12.9	104	-3	1	30	12	88 0
5	379	5.542	13.9	105	26	1	30	12	88 0
6	378	5.129	14.0	106	-10	2	30	12	88 0
7	377	4.653	13.6	107	20	2	30	12	88 0
8	376	4.353	13.2	108	-3	1	30	12	88 0
9	375	3.931	12.9	109	7	1	30	12	88 0
10	374	3.344	8.8	110	22	1	30	12	88 0
11	373	3.057	8.6	111	9	1	30	12	88 0
12	372	2.793	2.6	112	1	1	30	12	88 0
13	371	2.462	2.6	113	-15	1	30	12	88 0
14	370	2.119	356.2	114	-2	1	30	12	88 0
15	369	1.763	351.0	115	4	1	30	12	88 0
16	368	1.303	353.6	116	11	1	30	12	88 0
17	367	0.925	351.0	117	-20	2	30	12	88 0
18	366	0.515	349.7	118	3	3	30	12	88 0
19	365	0.162	319.2	119	4	3	30	12	88 0
20	364	0.068	129.8	120	0	1	30	12	88 0

DKDAT FIELD DATA TABLE

NEVADA TEST SITE 1985  
 SHOT NUMBER 28 SHOT POINT 6 TEAM 3  
 SHOT TIME: 47: 5:35: 0.012

LOC	DIST(KM)	AZIM	UNIT	CHRON	CHAN	C1	C2	C3	TAPE	GRADE
1	344	14.140	2.8	41	-25	2	30	12 88	0	
2	343	13.735	3.1	42	7	2	30	12 88	0	
3	342	13.338	3.1	43	4	2	30	12 88	0	
4	341	12.942	3.3	44	6	2	30	12 88	0	
5	340	12.541	3.5	45	0	1	30	12 88	0	
6	339	12.136	3.7	46	20	1	30	12 88	0	
7	338	11.725	3.9	47	-3	1	30	12 68	0	
8	337	11.170	3.5	48	0	2	30	12 68	0	
9	336	10.758	3.7	49	8	1	30	12 68	0	
10	335	10.371	3.8	50	-2	2	30	12 68	0	
11	334	10.053	4.3	51	--	1	30	12 68	0	
12	333	9.745	5.2	52	-20	1	30	12 68	0	
13	332	9.285	5.6	53	7	1	30	12 68	0	
14	331	8.884	5.7	54	-9	1	30	12 88	0	
15	330	8.483	5.8	55	-4	1	30	12 88	0	
16	329	8.080	6.0	56	19	1	30	12 88	0	
17	328	7.680	6.0	57	5	1	30	12 88	0	
18	327	7.247	6.3	58	14	1	30	12 88	0	
19	326	6.995	6.7	59	-3	1	30	12 88	0	
20	325	6.546	6.8	60	-7	1	30	12 88	0	

DKDAT FIELD DATA TABLE

NEVADA TEST SITE 1985  
 SHOT NUMBER 28 SHOT POINT 6 TEAM 5  
 SHOT TIME: 47: 5:35: 0.012

LOC	DIST(KM)	AZIM	UNIT	CHRON	CHAN	C1	C2	C3	TAPE	GRADE
1	285	8.858	195.2	81	-30		30	12 88	1	
2	286	8.397	195.6	82	-8	1	30	12 88	0	
3	287	8.016	196.2	83	22	1	30	12 88	0	
4	288	7.619	197.1	84	-17	1	30	12 88	0	
5	289	7.241	198.3	85	1	1	30	12 88	0	
6	290	6.870	199.8	86	-3	1	30	12 88	0	
7	291	6.485	200.0	87	11	1	30	12 88	0	
8	292	6.070	199.6	88	23	1	30	12 88	0	
9	293	5.683	199.2	89	-3	1	30	12 68	0	
10	294	5.273	198.8	90	11	1	30	12 68	0	
11	295	4.892	198.1	91	20		30	12 68	0	
12	296	4.478	197.5	92	0	2	30	12 68	0	
13	297	4.085	196.9	93	-3	1	30	12 68	0	
14	298	3.666	195.5	94	-112		30	12 68	1	
15	299	3.280	194.6	95	0	1	30	12 88	0	
16	300	2.867	193.5	96	-23	1	30	12 88	0	
17	301	2.483	191.6	97	-4	1	30	12 88	0	
18	302	2.095	188.8	98	-18	2	30	12 88	0	
19	303	1.713	185.1	99	20	1	30	12 88	0	
20	304	1.310	184.9	100	13		30	12 88	1	

DKDAT FIELD DATA TABLE

NEVADA TEST SITE 1985  
 SHOT NUMBER 28 SHOT POINT 6 TEAM 4  
 SHOT TIME: 47: 5:35: 0.012

LOC	DIST(KM)	AZIM	UNIT	CHRON	CHAN	C1	C2	C3	TAPE	GRADE
1	305	1.006	184.0	61	3	3	30	12 68	0	
2	306	0.602	183.3	62	-2	3	30	12 88	0	
3	307	0.174	178.2	63	8	3	30	12 88	0	
4	311	0.027	105.5	64	23	3	30	12 88	0	
5	308	0.205	12.7	65	-8	3	30	12 88	0	
6	309	0.621	8.0	66	3	3	30	12 88	0	
7	310	1.014	7.0	67	-11	3	30	12 68	0	
8	312	1.518	347.7	68	-6	3	30	12 68	0	
9	313	1.864	355.1	69	16	3	30	12 48	0	
10	314	2.238	359.6	70	48	3	30	12 48	0	
11	315	2.622	3.1	71	7		30	12 48	1	
12	316	2.997	5.8	72	30	3	30	12 48	0	
13	317	3.289	7.4	73	-9	3	30	12 48	0	
14	318	3.679	9.1	74	1	3	30	12 48	0	
15	319	4.071	10.4	75	2	3	30	12 48	0	
16	320	4.437	11.5	76	2	3	30	12 48	0	
17	321	4.862	12.4	77	7	3	30	12 48	0	
18	322	5.253	13.2	78	0	3	30	12 48	0	
19	323	5.751	7.1	79	8	1	30	12 68	0	
20	324	6.150	7.0	80	13	1	30	12 68	0	

NEVADA TEST SITE 1985  
 SHOT NUMBER 28 SHOT POINT 6 TEAM 6  
 SHOT TIME: 47: 5:35: 0.012

LOC	DIST(KM)	AZIM	UNIT	CHRON	CHAN	C1	C2	C3	TAPE	GRADE
1	383	29.462	3.9	101	19	2	30	12 88	0	
2	382	29.060	4.0	102	13	2	30	12 88	0	
3	381	28.887	4.1	103	-6	2	30	12 88	0	
4	380	28.242	4.1	104	-3	2	30	12 88	0	
5	379	27.874	4.2	105	26	2	30	12 88	0	
6	378	27.464	4.1	106	-10	2	30	12 68	0	
7	377	27.002	3.8	107	20	2	30	12 68	0	
8	376	26.711	3.6	108	-3	2	30	12 68	0	
9	375	26.298	3.4	109	7	2	30	12 68	0	
10	374	25.752	2.7	110	22	2	30	12 68	0	
11	373	25.468	2.6	111	9	2	30	12 68	0	
12	372	25.222	1.9	112	1	2	30	12 68	0	
13	371	24.892	1.9	113	-15	2	30	12 68	0	
14	370	24.540	1.3	114	-2	2	30	12 68	0	
15	369	24.164	1.0	115	4	2	30	12 88	0	
16	368	23.721	1.3	116	11	2	30	12 88	0	
17	367	23.340	1.4	117	-20	2	30	12 88	0	
18	366	22.934	1.5	118	3	2	30	12 88	0	
19	365	22.549	1.5	119	4	2	30	12 88	0	
20	364	22.388	1.9	120	0	1	30	12 88	0	

DKDAT FIELD DATA TABLE

NEVADA TEST SITE 1985  
 SHOT NUMBER 29 SHOT POINT 7 TEAM 1  
 SHOT TIME: 47: 5:37: 0.012

LOC	DIST(KM)	AZIM	UNIT	CHRON	CHAN	C1	C2	C3	TAPE	GRADE
1	8	8.487	191.6	1	16	1	30	12 88	0	0
2	9	15.930	180.0	2	1	1	30	12 88	0	0
3	284	0.393	181.9	3	11	3	30	12 88	0	0
4	283	0.729	185.6	4	-20	1	30	12 88	0	0
5	282	1.145	184.8	5	14	1	30	12 88	1	0
6	281	1.602	185.1	6	8	1	30	12 88	0	0
7	13	22.631	7.2	7	-9	2	30	12 88	0	0
8	10	52.817	11.3	8	6	2	30	12 88	0	0
9	29	21.149	272.2	9	15	1	30	12 88	0	0
10	5	25.952	338.4	10	-7	2	30	12 88	0	0
11	41	47.913	341.9	11	-40	2	30	12 48	0	0
12	384	38.868	6.3	12	12	2	30	12 88	0	0
13	385	39.223	6.2	13	2	2	30	12 88	0	0
14	386	39.562	6.5	14	-32	2	30	12 68	0	0
15	387	39.951	6.2	15	4	2	30	12 68	0	0
16	388	40.267	6.2	16	-7	2	30	12 48	6	0
17	86	26.801	25.9	17	24	2	30	12 48	0	0
18	87	28.057	22.8	18	-23	1	30	12 48	0	0
19	88	29.438	20.3	19	59	2	30	12 48	0	0
20	89	30.541	18.8	20	-14	2	30	12 48	0	0

DKDAT FIELD DATA TABLE

NEVADA TEST SITE 1985  
 SHOT NUMBER 29 SHOT POINT 7 TEAM 3  
 SHOT TIME: 47: 5:37: 0.012

LOC	DIST(KM)	AZIM	UNIT	CHRON	CHAN	C1	C2	C3	TAPE	GRADE
1	344	22.864	7.5	41	-25	2	30	12 88	0	0
2	343	22.466	7.8	42	7	2	30	12 88	0	0
3	342	22.072	8.0	43	4	2	30	12 88	0	0
4	341	21.681	8.1	44	8	2	30	12 88	0	0
5	340	21.285	8.3	45	0	2	30	12 88	0	0
6	339	20.884	8.5	46	20	2	30	12 88	0	0
7	338	20.479	8.8	47	-3	2	30	12 68	12	0
8	337	19.919	8.7	48	0	2	30	12 68	0	0
9	336	19.512	8.9	49	8	2	30	12 68	0	0
10	335	19.128	9.1	50	-2	2	30	12 68	0	0
11	334	18.820	9.4	51	--	2	30	12 68	0	0
12	333	18.526	10.0	52	-20	2	30	12 68	0	0
13	332	18.073	10.3	53	7	2	30	12 68	0	0
14	331	17.675	10.4	54	-9	2	30	12 88	0	0
15	330	17.277	10.6	55	-4	2	30	12 88	0	0
16	329	16.877	10.8	56	19	2	30	12 88	0	0
17	328	16.479	11.0	57	5	2	30	12 88	0	0
18	327	16.050	11.2	58	14	2	30	12 88	0	0
19	326	15.803	11.4	59	-3	2	30	12 88	0	0
20	325	15.357	11.6	60	-7	2	30	12 88	0	0

DKDAT FIELD DATA TABLE

NEVADA TEST SITE 1985  
 SHOT NUMBER 29 SHOT POINT 7 TEAM 2  
 SHOT TIME: 47: 5:37: 0.012

LOC	DIST(KM)	AZIM	UNIT	CHRON	CHAN	C1	C2	C3	TAPE	GRADE
1	363	30.604	5.4	21	-14	2	30	12 88	0	0
2	362	30.210	5.0	22	11	2	30	12 88	0	0
3	361	29.829	4.7	23	21	2	30	12 88	0	0
4	360	29.470	4.3	24	-6	2	30	12 88	0	0
5	359	29.147	4.0	25	-3	2	30	12 88	3	0
6	358	28.733	3.9	26	3	2	30	12 68	0	0
7	357	28.274	4.6	27	6	2	30	12 68	0	0
8	356	27.826	4.9	28	-97	2	30	12 68	3	0
9	355	27.418	4.9	29	11	2	30	12 68	0	0
10	354	26.960	4.7	30	6	2	30	12 68	0	0
11	353	26.500	4.8	31	6	2	30	12 48	0	0
12	352	26.188	5.3	32	21	2	30	12 68	3	0
13	351	25.686	5.7	33	39	2	30	12 68	0	0
14	350	25.336	5.9	34	10	2	30	12 68	0	0
15	183	24.991	5.8	35	-37	2	30	12 68	0	0
16	349	24.825	6.5	36	0	2	30	12 68	0	0
17	348	24.436	6.6	37	5	2	30	12 68	0	0
18	347	24.047	6.9	38	3	2	30	12 88	0	0
19	346	23.652	7.1	39	0	2	30	12 88	0	0
20	345	23.260	7.3	40	6	2	30	12 88	0	0

DKDAT FIELD DATA TABLE

NEVADA TEST SITE 1985  
SHOT NUMBER 29 SHOT POINT 7 TEAM 5  
SHOT TIME: 47: 5:37: 0.012

LOC	DIST(KM)	AZIM	UNIT	CHRON	CHAN	C1	C2	C3	TAPE	GRADE
1	285	0.009	151.7	81	-30		30	12	88	1
2	286	0.459	8.6	82	-8	3	30	12	88	0
3	287	0.850	5.4	83	22	1	30	12	88	0
4	288	1.263	3.6	84	-17	2	30	12	88	0
5	289	1.668	1.7	85	1	1	30	12	88	0
6	290	2.077	359.9	86	-3	1	30	12	88	0
7	291	2.449	2.5	87	11	1	30	12	88	0
8	292	2.838	5.8	88	23	1	30	12	88	0
9	293	3.207	8.2	89	-3	1	30	12	88	0
10	294	3.604	10.0	90	11	1	30	12	88	0
11	295	3.974	11.6	91	20		30	12	88	1
12	296	4.381	12.8	92	0	1	30	12	88	0
13	297	4.770	13.8	93	-3	1	30	12	88	0
14	298	5.187	15.0	94	-112		30	12	88	1
15	299	5.572	15.6	95	0	1	30	12	88	0
16	300	5.987	16.0	96	-23	1	30	12	88	0
17	301	6.376	16.6	97	-4	1	30	12	88	0
18	302	6.775	17.2	98	-18	1	30	12	88	0
19	303	7.173	17.6	99	20	1	30	12	88	0
20	304	7.567	17.0	100	13		30	12	88	1

DKDAT FIELD DATA TABLE

NEVADA TEST SITE 1985  
SHOT NUMBER 30 SHOT POINT 14 TEAM 1  
SHOT TIME: 47: 7: 1: 0.006

LOC	DIST(KM)	AZIM	UNIT	CHRON	CHAN	C1	C2	C3	TAPE	GRADE
1	8	24.322	191.4	1	17	2	30	12	88	0
2	9	31.611	185.6	2	2	1	30	12	88	0
3	284	16.223	191.0	3	11	2	30	12	88	0
4	283	16.560	191.0	4	-21	2	30	12	88	0
5	282	16.973	190.6	5	14		30	12	88	1
6	281	17.428	190.7	6	8	2	30	12	88	0
7	13	6.926	357.9	7	-9	1	30	12	88	0
8	10	36.983	11.4	8	7	2	30	12	88	0
9	29	28.322	238.7	9	16	2	30	12	88	0
10	5	15.268	304.3	10	-7	2	30	12	88	0
11	41	34.963	329.2	11	-42	2	30	12	88	0
12	384	23.132	3.0	12	13	2	30	12	88	0
13	385	23.491	2.8	13	2	2	30	12	88	0
14	386	23.818	3.4	14	-33	2	30	12	88	0
15	387	24.220	2.9	15	5	2	30	12	88	0
16	388	24.534	3.0	16	-8		30	12	88	6
17	86	12.151	45.0	17	25	1	30	12	88	0
18	87	12.941	37.1	18	-24	2	30	12	88	0
19	88	14.020	30.5	19	62	1	30	12	88	0
20	89	14.990	26.8	20	-14	2	30	12	88	0

DKDAT FIELD DATA TABLE

NEVADA TEST SITE 1985  
SHOT NUMBER 29 SHOT POINT 7 TEAM 6  
SHOT TIME: 47: 5:37: 0.012

LOC	DIST(KM)	AZIM	UNIT	CHRON	CHAN	C1	C2	C3	TAPE	GRADE
1	383	38.180	6.5	101	19	2	30	12	88	0
2	382	37.782	6.6	102	13	2	30	12	88	0
3	381	37.611	6.7	103	-6	2	30	12	88	0
4	380	36.967	6.7	104	-3	2	30	12	88	0
5	379	36.601	6.8	105	26	2	30	12	88	0
6	378	36.189	6.8	106	-10	2	30	12	88	0
7	377	35.722	6.6	107	20	2	30	12	88	0
8	376	35.427	6.5	108	-3	2	30	12	88	0
9	375	35.011	6.4	109	7	2	30	12	88	0
10	374	34.447	5.9	110	22	2	30	12	88	0
11	373	34.161	5.8	111	9	2	30	12	88	0
12	372	33.897	5.3	112	1	2	30	12	88	0
13	371	33.567	5.4	113	-15	2	30	12	88	0
14	370	33.200	5.0	114	-2	2	30	12	88	0
15	369	32.817	4.8	115	4	2	30	12	88	0
16	368	32.384	5.1	116	11	2	30	12	88	0
17	367	32.004	5.2	117	-20	2	30	12	88	0
18	366	31.604	5.3	118	3	2	30	12	88	0
19	365	31.220	5.4	119	4	2	30	12	88	0
20	364	31.070	5.7	120	0	2	30	12	88	0

DKDAT FIELD DATA TABLE

NEVADA TEST SITE 1985  
SHOT NUMBER 30 SHOT POINT 14 TEAM 2  
SHOT TIME: 47: 7: 1: 0.006

LOC	DIST(KM)	AZIM	UNIT	CHRON	CHAN	C1	C2	C3	TAPE	GRADE
1	363	14.939	359.2	21	-15	2	30	12	88	0
2	362	14.569	358.3	22	11	2	30	12	88	0
3	361	14.212	357.4	23	22	1	30	12	88	0
4	360	13.880	356.5	24	-6	2	30	12	88	0
5	359	13.587	355.5	25	-3		30	12	88	3
6	358	13.187	355.0	26	3	2	30	12	88	0
7	357	12.678	356.3	27	6	2	30	12	88	0
8	356	12.217	356.6	28	-102	2	30	12	88	0
9	355	11.813	356.3	29	12	2	30	12	88	0
10	354	11.373	355.6	30	7	1	30	12	88	0
11	353	10.907	355.6	31	6	1	30	12	88	0
12	352	10.563	356.5	32	22	1	30	12	88	0
13	351	10.045	356.9	33	41	1	30	12	88	0
14	350	9.680	357.3	34	11	1	30	12	88	0
15	183	9.350	356.5	35	-39	1	30	12	88	0
16	349	9.142	358.2	36	0	1	30	12	88	0
17	348	8.745	358.3	37	5	1	30	12	88	0
18	347	8.347	358.5	38	3	1	30	12	88	0
19	346	7.944	358.7	39	0	1	30	12	88	0
20	345	7.541	359.1	40	6	1	30	12	88	0

DKDAT FIELD DATA TABLE

NEVADA TEST SITE 1985  
 SHOT NUMBER 30 SHOT POINT 14 TEAM 3  
 SHOT TIME: 47: 7: 1: 0.006

LOC	DIST(KM)	AZIM	UNIT	CHRON	CHAN	C1	C2	C3	TAPE	GRADE
1	344	7.135	359.3	41	-26	1	30	12	88	0
2	343	6.726	359.8	42	8	1	30	12	88	0
3	342	6.329	359.7	43	5	1	30	12	88	0
4	341	5.931	359.9	44	8	1	30	12	88	0
5	340	5.529	0.0	45	0	1	30	12	88	0
6	339	5.122	0.2	46	21	1	30	12	88	6
7	338	4.708	0.5	47	-3	1	30	12	68	0
8	337	4.161	358.9	48	0	0	30	12	68	21
9	336	3.747	358.9	49	8	11	30	12	68	0
10	335	3.360	358.7	50	-3	1	30	12	68	0
11	334	3.036	359.8	51	--	1	30	12	68	0
12	333	2.719	2.5	52	-21	1	30	12	68	0
13	332	2.296	3.6	53	8	1	30	12	68	0
14	331	1.855	3.6	54	-9	1	30	12	88	0
15	330	1.453	3.9	55	-4	1	30	12	88	0
16	329	1.050	4.1	56	20	1	30	12	88	0
17	328	0.650	3.9	57	6	3	30	12	88	0
18	327	0.216	6.7	58	15	3	30	12	88	0
19	326	0.062	131.5	59	-3	3	30	12	88	0
20	325	0.489	178.9	60	-7	3	30	12	88	0

DKDAT FIELD DATA TABLE

NEVADA TEST SITE 1985  
 SHOT NUMBER 30 SHOT POINT 14 TEAM 5  
 SHOT TIME: 47: 7: 1: 0.006

LOC	DIST(KM)	AZIM	UNIT	CHRON	CHAN	C1	C2	C3	TAPE	GRADE
1	285	15.841	191.2	81	-32	1	30	12	88	1
2	286	15.376	191.3	82	-8	2	30	12	88	0
3	287	14.989	191.6	83	23	2	30	12	88	0
4	288	14.584	191.9	84	-18	2	30	12	88	0
5	289	14.192	192.4	85	1	2	30	12	88	0
6	290	13.804	192.9	86	-3	2	30	12	88	0
7	291	13.419	192.8	87	11	1	30	12	88	0
8	292	13.012	192.4	88	25	2	30	12	88	0
9	293	12.634	192.0	89	-3	2	30	12	68	0
10	294	12.232	191.6	90	12	2	30	12	68	0
11	295	11.860	191.1	91	21	1	30	12	68	1
12	296	11.456	190.6	92	0	2	30	12	68	0
13	297	11.071	190.1	93	-4	1	30	12	68	0
14	298	10.664	189.4	94	-118	1	30	12	68	1
15	299	10.287	188.9	95	-2	1	30	12	88	0
16	300	9.881	188.4	96	-24	1	30	12	88	0
17	301	9.506	187.6	97	-4	1	30	12	88	0
18	302	9.124	186.8	98	-19	1	30	12	88	0
19	303	8.743	186.0	99	21	1	30	12	88	0
20	304	8.341	186.0	100	14	1	30	12	88	1

DKDAT FIELD DATA TABLE

NEVADA TEST SITE 1985  
 SHOT NUMBER 30 SHOT POINT 14 TEAM 6  
 SHOT TIME: 47: 7: 1: 0.006

LOC	DIST(KM)	AZIM	UNIT	CHRON	CHAN	C1	C2	C3	TAPE	GRADE
1	383	22.440	3.1	101	20	2	30	12	88	0
2	382	22.036	3.3	102	13	2	30	12	88	0
3	381	21.863	3.4	103	-6	2	30	12	88	0
4	380	21.218	3.4	104	-3	2	30	12	88	0
5	379	20.849	3.5	105	27	2	30	12	88	0
6	378	20.440	3.3	106	-10	2	30	12	68	0
7	377	19.980	2.9	107	21	2	30	12	68	0
8	376	19.691	2.7	108	-3	2	30	12	68	0
9	375	19.279	2.4	109	7	2	30	12	68	0
10	374	18.740	1.4	110	23	2	30	12	68	0
11	373	18.457	1.2	111	9	2	30	12	68	0
12	372	18.220	0.2	112	1	3	30	12	68	0
13	371	17.890	0.2	113	-16	2	30	12	68	0
14	370	17.546	359.3	114	-2	2	30	12	68	0
15	369	17.175	358.9	115	4	2	30	12	88	0
16	368	16.727	359.3	116	12	2	30	12	88	0
17	367	16.346	359.3	117	-21	2	30	12	88	0
18	366	15.938	359.4	118	3	2	30	12	88	0
19	365	15.554	359.4	119	4	2	30	12	88	0
20	364	15.387	360.0	120	0	2	30	12	88	0

DKDAT FIELD DATA TABLE

NEVADA TEST SITE 1985  
 SHOT NUMBER 30 SHOT POINT 14 TEAM 4  
 SHOT TIME: 47: 7: 1: 0.006

LOC	DIST(KM)	AZIM	UNIT	CHRON	CHAN	C1	C2	C3	TAPE	GRADE
1	305	8.036	186.0	61	3	3	30	12	68	0
2	306	7.632	186.0	62	-2	1	30	12	88	0
3	307	7.203	186.0	63	8	1	30	12	88	0
4	311	7.035	186.0	64	24	1	30	12	88	0
5	308	6.827	186.0	65	-8	1	30	12	88	0
6	309	6.410	186.1	66	3	1	30	12	88	0
7	310	6.017	186.1	67	-12	1	30	12	68	0
8	312	5.611	191.2	68	-6	1	30	12	68	0
9	313	5.215	190.2	69	1	3	30	12	48	0
10	314	4.815	189.3	70	50	3	30	12	48	0
11	315	4.415	188.1	71	7	3	30	12	48	1
12	316	4.033	186.6	72	31	3	30	12	48	0
13	317	3.743	185.2	73	-9	3	30	12	48	0
14	318	3.361	183.1	74	1	3	30	12	48	0
15	319	2.984	180.6	75	2	3	30	12	48	0
16	320	2.643	177.5	76	2	3	30	12	48	0
17	321	2.259	172.8	77	7	3	30	12	48	0
18	322	1.926	166.9	78	0	1	30	12	48	0
19	323	1.283	182.5	79	8	3	30	12	68	0
20	324	0.884	181.1	80	14	3	30	12	68	0



DKDAT FIELD DATA TABLE

NEVADA TEST SITE 1985  
SHOT NUMBER 31 SHOT POINT 13 TEAM 1  
SHOT TIME: 47: 7: 3: 0.018

Table with columns: LOC, DIST(KM), AZIM, UNIT, CHRON, CHAN, C1, C2, C3, TAPE, GRADE. Contains 20 rows of data for shots 1-20.

DKDAT FIELD DATA TABLE

NEVADA TEST SITE 1985  
SHOT NUMBER 31 SHOT POINT 13 TEAM 3  
SHOT TIME: 47: 7: 3: 0.018

Table with columns: LOC, DIST(KM), AZIM, UNIT, CHRON, CHAN, C1, C2, C3, TAPE, GRADE. Contains 20 rows of data for shots 1-20.

DKDAT FIELD DATA TABLE

NEVADA TEST SITE 1985  
SHOT NUMBER 31 SHOT POINT 13 TEAM 2  
SHOT TIME: 47: 7: 3: 0.018

Table with columns: LOC, DIST(KM), AZIM, UNIT, CHRON, CHAN, C1, C2, C3, TAPE, GRADE. Contains 20 rows of data for shots 1-20.

DKDAT FIELD DATA TABLE

NEVADA TEST SITE 1985  
SHOT NUMBER 31 SHOT POINT 13 TEAM 4  
SHOT TIME: 47: 7: 3: 0.018

Table with columns: LOC, DIST(KM), AZIM, UNIT, CHRON, CHAN, C1, C2, C3, TAPE, GRADE. Contains 20 rows of data for shots 1-20.

DKDAT FIELD DATA TABLE

NEVADA TEST SITE 1985  
 SHOT NUMBER 31 SHOT POINT 13 TEAM 5  
 SHOT TIME: 47: 7: 3: 0.018

LOC	DIST(NM)	AZIM	UNIT	CHRON	CHAN	C1	C2	C3	TAPE	GRADE
1	285	22.638	187.2	81	-31		30	12 88	1	
2	286	22.172	187.2	82	-8	2	30	12 88	0	
3	287	21.781	187.3	83	23	2	30	12 88	0	
4	288	21.371	187.4	84	-18	2	30	12 88	0	
5	289	20.971	187.6	85	1		30	12 88	0	
6	290	20.573	187.9	86	-3	2	30	12 88	0	
7	291	20.191	187.8	87	12	1	30	12 88	0	
8	292	19.794	187.4	88	25	2	30	12 88	0	
9	293	19.425	187.0	89	-3	2	30	12 68	0	
10	294	19.032	186.7	90	12	2	30	12 68	0	
11	295	18.671	186.3	91	21		30	12 68	1	
12	296	18.276	185.9	92	0	2	30	12 68	0	
13	297	17.901	185.5	93	-3	2	30	12 68	0	
14	298	17.506	184.9	94	-118		30	12 68	1	
15	299	17.137	184.5	95	0	2	30	12 88	0	
16	300	16.740	184.1	96	-24	2	30	12 88	0	
17	301	16.375	183.5	97	-4	1	30	12 88	0	
18	302	16.002	183.0	98	-19	1	30	12 88	0	
19	303	15.631	182.4	99	21	1	30	12 88	0	
20	304	15.229	182.4	100	14		30	12 88	1	

DKDAT FIELD DATA TABLE

NEVADA TEST SITE 1985  
 SHOT NUMBER 31 SHOT POINT 13 TEAM 6  
 SHOT TIME: 47: 7: 3: 0.018

LOC	DIST(NM)	AZIM	UNIT	CHRON	CHAN	C1	C2	C3	TAPE	GRADE
1	383	15.554	5.4	101	20	2	30	12 88	0	
2	382	15.154	5.7	102	13		30	12 88	0	
3	381	14.982	5.9	103	-6	1	30	12 88	0	
4	380	14.338	6.0	104	-3	1	30	12 88	0	
5	379	13.971	6.2	105	27	1	30	12 88	0	
6	378	13.560	6.0	106	-10	1	30	12 68	0	
7	377	13.094	5.6	107	21	1	30	12 68	0	
8	376	12.801	5.3	108	-3	1	30	12 68	0	
9	375	12.386	4.9	109	7	1	30	12 68	0	
10	374	11.834	3.4	110	23	1	30	12 68	0	
11	373	11.549	3.2	111	9	1	30	12 68	0	
12	372	11.303	1.6	112	1	1	30	12 68	0	
13	371	10.972	1.5	113	-16	1	30	12 68	0	
14	370	10.623	0.2	114	-2	1	30	12 68	0	
15	369	10.250	359.5	115	4	1	30	12 88	0	
16	368	9.804	0.2	116	12	1	30	12 88	0	
17	367	9.423	0.2	117	-21	1	30	12 88	0	
18	366	9.016	0.6	118	3	1	30	12 88	0	
19	365	8.631	0.5	119	4	1	30	12 88	0	
20	364	8.468	1.6	120	0	1	30	12 88	0	

## APPENDIX C

### FIRST-ARRIVAL TIMES (pp 65-96)

Information in columns includes shotpoint number, seismograph location number, travel-time picks in real time (difference between chronometer reading and origin time of shot) and reduced time ( $T - x/6$ ;  $x$  is distance), distance (km) and azimuth (degrees from North) of the seismograph from the shot point, and weight of pick where weights were assigned for first-arrival times as follows:

- 0 - Excellent
- 1 - Good
- 2 - Fair
- 3 - Weak or Noisy
- 4 - Poor or Highly Emergent

SHOT POINT	RECORDER LOCATION	TRAVEL TIME (REAL)	TRAVEL TIME (T-X/6)	DISTANCE	AZIMUTH	SHOT I WEIGHT	SHOT POINT	RECORDER LOCATION	TRAVEL TIME (REAL)	TRAVEL TIME (T-X/6)	DISTANCE	AZIMUTH	SHOT I WEIGHT
18	165	6.582	0.698	-35.303	272.900	4	18	1	12.403	1.058	-68.071	269.600	4
18	166	6.512	0.698	-34.882	272.900	4	18	101	11.267	1.061	-61.235	270.300	4
18	167	6.480	0.698	-34.689	273.400	4	18	102	11.190	1.038	-60.912	270.200	4
18	168	6.414	0.701	-34.277	273.900	4	18	103	11.110	1.026	-60.505	270.200	4
18	169	6.203	0.626	-33.464	273.900	4	18	104	11.046	1.029	-60.106	270.100	4
18	170	6.077	0.664	-32.480	273.900	4	18	105	10.910	0.956	-59.721	270.000	4
18	171	5.927	0.629	-31.789	272.600	4	18	106	10.809	0.922	-59.327	269.900	4
18	172	5.844	0.629	-31.289	271.100	4	18	107	10.742	0.922	-58.923	269.900	4
18	173	5.765	0.629	-30.816	269.700	4	18	108	10.679	0.922	-58.546	269.600	4
18	178	5.628	0.704	-29.542	268.300	4	18	109	10.643	0.942	-58.208	269.400	4
18	179	5.549	0.690	-29.157	268.100	4	18	111	10.531	0.942	-57.537	269.000	4
18	180	5.457	0.693	-28.588	267.400	4	18	112	10.472	0.942	-57.179	268.700	4
18	181	5.331	0.696	-27.813	270.100	4	18	114	10.361	0.942	-56.516	268.300	4
18	182	5.260	0.722	-27.229	269.800	4	18	116	10.248	0.942	-55.835	268.600	4
18	183	5.226	0.722	-27.024	269.800	4	18	117	10.189	0.942	-55.483	268.800	4
18	184	5.131	0.722	-26.454	270.300	4	18	118	10.124	0.942	-55.092	269.000	4
18	185	5.064	0.722	-26.057	270.500	4	18	120	10.033	0.904	-54.776	268.700	4
18	186	5.003	0.722	-25.689	270.300	3	18	121	9.990	0.904	-54.515	268.400	4
18	187	4.957	0.742	-25.291	270.100	3	18	123	9.899	0.904	-53.970	267.700	4
18	188	4.895	0.742	-24.920	269.900	4	18	125	9.759	0.927	-52.988	268.000	4
18	189	4.832	0.742	-24.540	269.700	4	18	126	9.700	0.927	-52.638	268.300	4
18	190	4.767	0.742	-24.152	269.400	4	18	127	9.635	0.930	-52.227	268.600	4
18	191	4.703	0.742	-23.768	269.100	4	18	128	9.610	0.971	-51.832	268.900	4
18	193	4.567	0.753	-23.003	268.600	4	18	129	9.543	0.971	-51.435	269.200	4
18	194	4.530	0.759	-22.625	268.300	4	18	131	9.461	0.994	-50.804	269.900	4
18	195	4.464	0.759	-22.228	268.000	4	18	132	8.569	0.722	-47.082	270.700	4
18	196	4.399	0.759	-21.837	267.700	4	18	133	8.537	0.745	-46.755	270.600	4
18	197	4.346	0.768	-21.469	267.400	4	18	134	8.475	0.745	-46.379	270.500	4
18	198	4.282	0.765	-21.099	267.000	4	18	135	8.399	0.733	-45.992	270.400	4
18	199	4.202	0.751	-20.710	266.700	4	18	137	8.290	0.748	-45.239	270.100	4
18	200	4.136	0.751	-20.313	266.300	4	18	138	8.230	0.748	-44.893	269.900	4
18	201	4.098	0.762	-20.015	265.800	4	18	140	8.062	0.704	-44.146	269.400	4
18	202	3.974	0.691	-19.696	264.900	4	18	141	8.003	0.704	-43.790	269.200	4
18	205	3.857	0.722	-18.815	262.400	4	18	142	7.941	0.704	-43.423	269.000	4
18	206	3.812	0.722	-18.541	261.500	4	18	143	7.912	0.736	-43.057	268.800	4
18	207	3.748	0.722	-18.161	261.300	4	18	144	7.848	0.736	-42.670	268.500	4
18	208	3.678	0.717	-17.765	261.400	4	18	145	7.793	0.736	-42.341	268.300	4
18	209	3.636	0.743	-17.358	261.500	4	18	147	7.674	0.736	-41.628	267.700	4
18	210	3.564	0.743	-16.927	261.600	4	18	148	7.606	0.736	-41.219	267.500	4
18	211	3.501	0.748	-16.518	261.700	4	18	149	7.547	0.736	-40.864	267.600	4
18	212	3.449	0.765	-16.105	261.900	4	18	150	7.490	0.736	-40.521	267.800	4
18	213	3.425	0.817	-15.648	262.100	4	18	151	7.427	0.736	-40.147	268.000	4
18	215	3.274	0.778	-14.977	262.400	4	18	152	7.408	0.777	-39.787	268.300	4
18	216	3.180	0.743	-14.619	262.600	4	18	153	7.353	0.777	-39.459	268.600	4
18	217	3.104	0.752	-14.114	262.700	4	18	154	7.285	0.777	-39.053	268.700	4
18	218	3.007	0.722	-13.710	263.000	4	18	155	7.227	0.777	-38.701	268.900	4
18	219	2.909	0.691	-13.307	263.200	4	18	156	7.165	0.777	-38.329	269.200	4
18	220	2.845	0.695	-12.899	263.500	4	18	157	7.104	0.777	-37.964	269.600	4
18	221	2.760	0.678	-12.493	263.700	4	18	159	7.007	0.785	-37.330	270.400	4
18	222	2.668	0.652	-12.096	264.000	4	18	160	6.961	0.785	-37.053	270.800	4
18	223	2.602	0.652	-11.701	264.300	4	18	162	6.845	0.785	-36.358	271.400	4
18	224	0.040	0.035	-0.035	25.600	0	18	163	6.651	0.698	-35.956	271.800	4

SHOT 2				SHOT 2									
SHOT POINT	RECORDER LOCATION	TRAVEL TIME (REAL)	TRAVEL TIME (T-X/6)	DISTANCE	AZIMUTH	WEIGHT	SHOT POINT	RECORDER LOCATION	TRAVEL TIME (REAL)	TRAVEL TIME (T-X/6)	DISTANCE	AZIMUTH	WEIGHT
15	1	7.149	0.811	-38.028	270.400	4	15	162	2.032	0.948	-6.504	284.200	2
15	101	5.964	0.762	-31.209	271.800	4	15	163	1.967	0.936	-6.187	287.600	2
15	102	5.910	0.762	-30.884	271.700	4	15	164	1.908	0.916	-5.953	290.500	2
15	103	5.842	0.762	-30.477	271.700	4	15	165	1.868	0.916	-5.713	293.800	3
15	104	5.775	0.762	-30.076	271.600	4	15	166	1.775	0.875	-5.398	297.300	3
15	106	5.644	0.762	-29.292	271.300	4	15	167	1.765	0.869	-5.371	301.300	3
15	107	5.469	0.655	-28.887	271.200	4	15	168	1.708	0.846	-5.170	306.500	3
15	108	5.405	0.655	-28.503	270.700	4	15	169	1.591	0.843	-4.484	311.700	3
15	109	5.348	0.655	-28.161	270.200	4	15	170	1.209	0.623	-3.513	317.200	4
15	110	5.291	0.652	-27.833	269.800	4	15	172	1.067	0.609	-2.749	321.300	4
15	111	5.233	0.652	-27.485	269.400	4	15	173	0.784	0.484	-1.800	316.400	4
15	112	5.173	0.652	-27.126	268.900	4	15	175	0.442	0.281	-0.969	307.200	4
15	114	5.063	0.652	-26.463	267.900	4	15	176	0.344	0.246	-0.587	309.400	4
15	116	4.949	0.652	-25.781	268.500	4	15	178	0.434	0.345	0.534	105.100	3
15	117	4.890	0.652	-25.431	269.100	4	15	179	0.380	0.380	0.939	105.600	0
15	118	4.825	0.652	-25.041	269.400	4	15	180	0.778	0.513	1.592	110.900	0
15	120	4.772	0.652	-24.722	268.700	4	15	181	0.973	0.580	2.359	71.000	1
15	123	4.634	0.667	-23.924	266.500	4	15	182	1.138	0.658	2.882	77.600	1
15	125	4.432	0.629	-22.937	267.200	4	15	183	1.213	0.698	3.087	78.000	4
15	126	4.341	0.577	-22.585	267.900	4	15	184	1.314	0.698	3.693	76.400	4
15	127	4.272	0.577	-22.174	268.600	4	15	185	1.417	0.733	4.104	76.300	4
15	128	4.239	0.609	-21.780	269.300	4	15	186	1.508	0.768	4.443	78.600	4
15	129	4.182	0.617	-21.386	270.000	4	15	187	1.652	0.849	4.817	80.600	4
15	130	4.117	0.617	-20.999	270.600	4	15	188	1.719	0.858	5.169	82.400	4
15	131	4.079	0.617	-20.770	271.700	4	15	189	1.769	0.846	5.536	84.000	2
15	132	3.729	0.881	-17.086	274.300	4	15	190	1.852	0.867	5.912	85.400	2
15	133	3.694	0.901	-16.735	274.200	3	15	191	1.894	0.846	6.290	86.700	2
15	134	3.645	0.916	-16.375	274.000	3	15	192	1.975	0.864	6.665	87.800	2
15	135	3.577	0.913	-15.984	273.800	3	15	194	2.128	0.890	7.430	89.600	2
15	137	3.478	0.942	-15.218	273.100	3	15	195	2.218	0.913	7.832	90.400	2
15	138	3.434	0.956	-14.863	272.500	3	15	196	2.284	0.913	8.227	91.100	2
15	140	3.304	0.953	-14.103	271.200	3	15	197	2.361	0.927	8.603	91.700	2
15	141	3.229	0.939	-13.743	270.500	3	15	198	2.433	0.936	8.983	92.400	2
15	142	3.147	0.919	-13.373	269.900	3	15	199	2.500	0.936	9.383	92.900	2
15	143	3.092	0.924	-13.004	269.100	3	15	200	2.554	0.922	9.792	93.400	2
15	144	3.033	0.930	-12.617	268.300	3	15	201	2.627	0.942	10.112	94.200	3
15	145	2.978	0.930	-12.289	267.500	3	15	202	2.688	0.942	10.479	95.600	3
15	147	2.861	0.930	-11.586	265.400	3	15	203	2.747	0.942	10.831	96.700	3
15	148	2.815	0.951	-11.186	264.500	3	15	204	2.806	0.942	11.182	97.800	4
15	149	2.739	0.933	-10.828	264.700	3	15	205	2.824	0.901	11.536	98.800	2
15	150	2.659	0.913	-10.479	265.300	3	15	206	2.900	0.919	11.885	99.800	2
15	151	2.584	0.901	-10.099	266.300	3	15	207	2.949	0.904	12.266	99.500	2
15	152	2.506	0.884	-9.735	267.500	3	15	208	2.955	0.849	12.633	98.800	4
15	153	2.466	0.898	-9.405	268.600	3	15	209	3.018	0.849	13.011	98.100	4
15	154	2.474	0.974	-9.000	269.100	2	15	210	3.112	0.875	13.420	97.500	4
15	155	2.415	0.974	-8.550	270.100	2	15	211	3.175	0.875	13.801	96.900	4
15	156	2.354	0.974	-8.284	271.400	2	15	212	3.231	0.867	14.185	96.200	4
15	157	2.273	0.951	-7.933	273.400	2	15	213	3.250	0.814	14.616	95.600	4
15	159	2.176	0.951	-7.350	277.600	2	15	215	3.446	0.804	15.253	94.700	4
15	160	2.145	0.959	-7.116	280.000	2	15	216	3.503	0.904	15.524	94.300	4
15	161	2.064	0.913	-6.906	282.500	2	15	217	3.584	0.904	16.081	93.800	4
15							15	218	3.640	0.896	16.467	93.300	3

SHOT 2, SHOTPOINT 15		SHOT 3, SHOTPOINT 2		SHOT 3, SHOTPOINT 2									
SHOT POINT	RECORDER LOCATION	TRAVEL TIME (REAL)	TRAVEL TIME (T-X/6)	DISTANCE	AZIMUTH	WEIGHT	SHOT POINT	RECORDER LOCATION	TRAVEL TIME (REAL)	TRAVEL TIME (T-X/6)	DISTANCE	AZIMUTH	WEIGHT
15	219	3.705	0.896	16.855	92.900	4	2	153	4.569	0.939	21.782	93.200	4
15	220	3.770	0.896	17.248	92.500	4	2	154	4.601	0.904	22.181	92.900	4
15	221	3.835	0.896	17.640	92.100	4	2	155	4.722	0.968	22.521	92.500	4
15	222	3.833	0.829	18.024	91.700	4	2	156	4.793	0.980	22.882	92.000	4
15	223	3.897	0.829	18.408	91.300	4	2	157	4.887	1.014	23.236	91.300	4
15	224	5.881	0.869	30.069	88.600	3	2	159	4.838	0.861	23.862	90.100	3
2	1	1.905	0.752	-6.915	263.900	3	2	160	4.881	0.858	24.141	89.400	3
2	101	0.044	0.037	0.044	276.600	0	2	161	4.961	0.893	24.410	88.800	4
2	102	0.252	0.204	0.287	103.300	2	2	162	5.225	1.084	24.847	88.600	4
2	103	0.461	0.346	0.690	95.800	2	2	163	5.115	0.904	25.264	88.000	4
2	104	0.580	0.398	1.095	97.300	3	2	164	5.184	0.919	25.592	87.600	4
2	105	0.757	0.509	1.493	99.900	3	2	165	5.258	0.933	25.950	87.100	4
2	106	0.901	0.585	1.898	100.700	2	2	166	5.366	0.968	26.388	86.800	4
2	107	0.973	0.589	2.303	99.800	2	2	167	5.453	1.017	26.617	86.100	4
2	108	1.058	0.602	2.733	104.200	2	2	168	5.499	0.988	27.065	85.600	4
2	109	1.121	0.602	3.115	106.300	2	2	169	5.633	0.988	27.866	85.900	4
2	110	1.203	0.622	3.486	107.900	2	2	170	5.652	0.852	28.801	86.900	4
2	111	1.285	0.637	3.888	109.400	2	2	172	5.668	0.759	29.451	87.800	4
2	112	1.366	0.648	4.308	110.700	2	2	173	5.712	0.727	29.907	89.400	4
2	113	1.428	0.646	4.695	111.600	3	2	175	5.791	0.727	30.379	90.800	3
2	114	1.529	0.680	5.093	112.500	4	2	176	5.899	0.782	30.702	91.200	3
2	116	1.555	0.617	5.627	107.100	3	2	178	6.089	0.809	31.685	92.100	4
2	117	1.617	0.635	5.891	103.700	4	2	179	6.172	0.826	32.079	92.200	4
2	118	1.686	0.646	6.240	101.600	3	2	180	6.176	0.730	32.675	92.700	4
2	120	1.759	0.656	6.619	103.500	3	2	181	6.325	0.762	33.379	90.400	4
2	123	1.947	0.667	7.676	108.600	3	2	182	6.423	0.762	33.965	90.600	4
2	125	2.036	0.617	8.510	104.400	3	2	184	6.552	0.762	34.737	90.200	4
2	126	2.084	0.622	8.774	102.000	3	2	185	6.618	0.762	35.135	90.000	4
2	127	2.132	0.613	9.117	99.800	3	2	186	6.711	0.794	35.502	90.200	4
2	128	2.202	0.626	9.437	97.700	3	2	187	6.777	0.794	35.901	90.300	4
2	129	2.236	0.600	9.816	95.800	3	2	188	6.839	0.794	36.272	90.500	4
2	130	2.299	0.602	10.182	94.400	2	2	189	6.837	0.788	36.655	90.600	4
2	131	2.346	0.613	10.396	92.200	2	2	190	7.044	0.869	37.045	90.800	4
2	132	3.000	0.648	14.114	88.800	2	2	191	7.108	0.869	37.433	91.000	4
2	133	3.078	0.672	14.439	89.100	2	2	192	7.178	0.875	37.816	91.100	4
2	134	3.141	0.672	14.813	89.500	2	2	193	7.243	0.875	38.207	91.300	4
2	135	3.229	0.696	15.200	89.700	2	2	194	7.307	0.875	38.590	91.400	4
2	137	3.411	0.752	15.954	90.700	2	2	195	7.374	0.875	38.995	91.600	4
2	138	3.502	0.785	16.303	91.200	2	2	196	7.388	0.823	39.392	91.700	4
2	140	3.653	0.809	17.064	92.300	3	2	198	7.491	0.800	40.148	92.000	4
2	141	3.764	0.859	17.430	92.900	3	2	199	7.590	0.832	40.547	92.100	4
2	142	3.868	0.900	17.807	93.300	4	2	200	7.658	0.832	40.955	92.200	4
2	143	3.955	0.924	18.188	93.800	4	2	201	7.710	0.832	41.271	92.400	4
2	144	4.055	0.956	18.591	94.200	4	2	202	7.770	0.832	41.628	92.800	4
2	145	4.089	0.933	18.937	94.700	4	2	203	7.826	0.832	41.968	93.100	4
2	147	4.222	0.939	19.697	95.600	4	2	204	7.882	0.832	42.304	93.400	4
2	148	4.198	0.843	20.125	95.900	3	2	205	7.875	0.768	42.642	93.700	4
2	149	4.301	0.890	20.469	95.600	3	2	207	7.994	0.768	43.356	94.000	4
2	150	4.427	0.962	20.790	95.100	3	2	209	8.122	0.768	44.124	93.700	4
2	151	4.439	0.916	21.137	94.500	4	2	210	8.152	0.768	44.541	93.500	4
2	152	4.455	0.916	21.473	93.800	4	2	211	8.257	0.768	44.932	93.400	4
2							2	212	8.322	0.768	45.324	93.200	4

SHOT 3, SHOTPOINT 2  
SHOT 4, SHOTPOINT 5

SHOT 4, SHOTPOINT 5

SHOT POINT	RECORDER LOCATION	TRAVEL TIME (REAL)	TRAVEL TIME (T-X/6)	DISTANCE	AZIMUTH	WEIGHT
2	213	8.395	0.768	45.762	93.000	4
2	215	8.502	0.768	46.407	92.800	4
2	216	8.560	0.768	46.751	92.600	4
2	218	8.706	0.768	47.630	92.300	4
2	219	8.771	0.768	48.019	92.200	4
2	220	8.837	0.768	48.413	92.100	4
2	221	8.902	0.768	48.805	91.900	4
2	222	8.966	0.768	49.189	91.800	4
2	223	9.030	0.768	49.572	91.700	4
2	224	11.297	1.096	61.206	90.200	4
5	1	5.916	1.081	-29.009	270.700	3
5	101	4.685	0.985	-22.200	272.800	3
5	102	4.608	0.962	-21.874	272.700	3
5	103	4.543	0.965	-21.467	272.700	4
5	104	4.485	0.974	-21.065	272.600	3
5	105	4.391	0.945	-20.676	272.300	3
5	106	4.296	0.916	-20.278	272.100	4
5	107	4.228	0.916	-19.873	272.000	4
5	108	4.187	0.939	-19.486	271.200	4
5	109	4.126	0.936	-19.142	270.600	4
5	110	4.028	0.893	-18.813	270.000	4
5	111	4.013	0.936	-18.464	269.400	4
5	112	3.957	0.939	-18.106	268.600	4
5	114	3.844	0.936	-17.447	267.200	4
5	116	3.718	0.924	-16.762	268.100	4
5	117	3.662	0.927	-16.410	268.900	4
5	118	3.592	0.922	-16.020	269.400	4
5	120	3.524	0.907	-15.702	268.300	4
5	123	3.411	0.924	-14.922	264.700	4
5	125	3.237	0.916	-13.927	265.800	4
5	126	3.160	0.898	-13.569	266.900	4
5	127	3.071	0.878	-13.154	268.000	4
5	128	2.967	0.840	-12.759	269.200	4
5	129	2.890	0.829	-12.366	270.400	4
5	130	2.823	0.826	-11.982	271.500	4
5	131	2.870	0.910	-11.761	273.400	4
5	132	2.266	0.910	-8.136	279.800	4
5	133	2.207	0.907	-7.800	279.600	3
5	134	2.146	0.910	-7.417	279.500	3
5	135	2.055	0.884	-7.024	277.100	2
5	138	1.843	0.864	-5.095	274.400	2
5	140	1.678	0.829	-4.727	272.500	1
5	141	1.599	0.811	-4.433	270.700	2
5	142	1.540	0.814	-4.353	270.700	3
5	143	1.374	0.710	-3.984	268.300	3
5	144	1.302	0.701	-3.602	265.400	3
5	145	1.174	0.626	-3.288	262.000	3
5	147	0.983	0.539	-2.664	251.700	3
5	148	0.861	0.472	-2.333	244.900	3
5	149	0.783	0.452	-1.986	242.400	3
5	150	0.658	0.388	-1.618	241.600	4

TRAVEL TIME (REAL)	TRAVEL TIME (T-X/6)	DISTANCE	AZIMUTH	WEIGHT
0.587	0.388	-1.195	242.200	4
0.435	0.304	-0.782	244.200	3
0.297	0.229	-0.408	249.400	3
0.056	0.046	0.059	158.400	0
0.290	0.226	0.384	74.500	1
0.514	0.382	0.792	68.900	3
0.631	0.426	1.231	63.400	4
0.790	0.452	2.028	58.700	2
0.990	0.588	2.410	56.600	3
1.050	0.588	2.772	55.200	3
1.134	0.603	3.190	58.300	3
1.231	0.617	3.686	57.900	3
1.432	0.753	4.068	57.800	3
1.643	0.896	4.482	57.800	3
1.678	0.855	4.937	58.800	3
1.831	0.951	5.284	57.000	2
2.056	1.090	5.797	57.000	2
2.202	1.127	6.447	61.600	3
2.258	1.067	7.147	68.100	4
2.357	1.084	7.636	73.000	3
2.355	1.038	7.902	79.900	2
2.385	1.006	8.275	85.300	2
2.435	1.006	8.579	86.900	2
2.540	0.951	9.536	90.300	2
2.602	0.948	9.927	91.000	2
2.675	0.922	10.519	92.600	2
2.785	0.904	11.283	85.700	3
2.880	0.904	11.856	86.600	3
2.886	0.875	12.062	86.500	4
3.023	0.916	12.646	85.700	3
3.088	0.913	13.051	85.300	3
3.145	0.910	13.410	85.900	3
3.155	0.855	13.800	86.400	3
3.230	0.869	14.165	86.900	3
3.238	0.814	14.540	87.400	3
3.302	0.814	14.924	87.900	3
3.415	0.864	15.306	88.300	4
3.512	0.898	15.684	88.700	4
3.603	0.881	16.071	89.200	4
3.609	0.800	16.451	89.500	4
3.609	0.800	16.832	89.900	4
3.748	0.811	17.246	90.200	4
3.811	0.811	17.620	90.600	4
3.959	0.893	18.396	91.200	4
4.023	0.890	18.802	91.500	3
4.102	0.916	19.117	91.900	3
4.161	0.916	19.472	92.700	3
4.218	0.916	19.813	93.400	4
4.034	0.675	20.150	94.100	4
4.030	0.675	20.430	94.700	4
4.146	0.675	20.824	95.300	4

SHOT 4, SHOTPOINT 5				SHOT 5, SHOTPOINT 19			
SHOT POINT	RECORDER LOCATION	TRAVEL TIME (REAL)	TRAVEL TIME (T-X/6)	SHOT POINT	RECORDER LOCATION	TRAVEL TIME (REAL)	TRAVEL TIME (T-X/6)
5	207	4.193	0.658	19	144	3.513	1.217
5	208	4.221	0.623	19	145	3.512	1.191
5	210	4.328	0.597	19	147	3.573	1.191
5	211	4.364	0.568	19	148	3.562	1.153
5	212	4.455	0.594	19	149	3.557	1.156
5	213	4.517	0.582	19	150	3.556	1.177
5	215	4.624	0.582	19	151	3.568	1.217
5	216	4.644	0.545	19	152	3.539	1.217
5	218	4.994	0.748	19	153	3.515	1.217
5	219	5.059	0.748	19	154	3.513	1.217
5	220	5.124	0.748	19	155	3.499	1.217
5	221	5.190	0.748	19	156	3.484	1.217
5	222	5.208	0.701	19	157	3.457	1.217
5	223	5.261	0.690	19	159	3.392	1.200
5	224	7.280	0.765	19	160	3.366	1.200
				19	161	3.343	1.200
				19	162	3.319	1.162
				19	163	3.324	1.180
				19	164	3.355	1.217
				19	165	3.348	1.214
				19	166	3.364	1.217
				19	167	3.316	1.194
				19	168	3.319	1.194
				19	169	3.511	1.293
				19	170	3.616	1.243
				19	172	3.706	1.206
				19	173	3.800	1.142
				19	175	3.852	1.052
				19	176	3.913	1.052
				19	178	4.084	1.052
				19	179	4.122	1.032
				19	180	4.212	1.017
				19	181	4.112	0.985
				19	182	4.187	0.971
				19	183	4.210	0.971
				19	184	4.351	1.064
				19	185	4.392	1.064
				19	186	4.417	1.032
				19	187	4.468	1.020
				19	188	4.504	0.997
				19	189	4.545	0.977
				19	191	4.659	0.965
				19	192	4.637	0.942
				19	193	4.804	0.985
				19	194	4.888	1.009
				19	195	4.952	1.006
				19	196	5.000	0.991
				19	197	5.061	0.931
				19	199	5.249	1.032
				19	200	5.295	1.032
				19	201	5.326	1.006
				19	202	5.382	0.988
				19	202	5.382	0.988



SHOT 5, SHOTPOINT 19					SHOT 6, SHOTPOINT 17								
SHOT POINT	RECORDER LOCATION	TRAVEL TIME (REAL)	TRAVEL TIME (T-X/6)	DISTANCE	AZIMUTH	WEIGHT	SHOT POINT	RECORDER LOCATION	TRAVEL TIME (REAL)	TRAVEL TIME (T-X/6)	DISTANCE	AZIMUTH	WEIGHT
19	203	5.428	0.965	26.777	123.100	4	17	143	6.139	0.901	-31.426	270.400	4
19	204	5.461	0.930	27.185	123.200	4	17	144	6.074	0.901	-31.034	270.100	4
19	205	5.514	0.916	27.588	123.300	4	17	147	5.898	0.901	-29.977	269.000	4
19	206	5.574	0.910	27.986	123.300	4	17	148	5.814	0.887	-29.565	268.700	4
19	207	5.701	0.982	28.312	122.900	4	17	149	5.686	0.817	-29.211	268.800	4
19	208	5.744	0.980	28.589	122.400	4	17	150	5.629	0.817	-28.871	269.100	4
19	210	5.842	0.977	29.190	121.200	4	17	151	5.597	0.846	-28.502	269.500	4
19	211	5.890	0.977	29.478	120.600	4	17	152	5.538	0.846	-28.148	270.000	4
19	212	5.937	0.977	29.761	120.000	3	17	153	5.484	0.846	-27.826	270.400	4
19	213	5.992	0.977	30.092	119.400	4	17	154	5.417	0.846	-27.423	270.600	4
19	214	6.074	0.977	30.583	118.500	4	17	155	5.333	0.820	-27.076	270.900	4
19	215	6.112	0.971	30.848	118.100	4	17	156	5.272	0.820	-26.711	271.300	4
19	216	6.210	0.953	31.537	117.000	4	17	157	5.213	0.820	-26.356	271.900	4
19	218	6.255	0.948	31.843	116.500	4	17	159	5.111	0.820	-25.745	273.100	4
19	219	6.309	0.951	32.153	116.000	3	17	160	5.050	0.803	-25.482	273.700	4
19	220	6.343	0.942	32.769	115.100	3	17	161	5.009	0.803	-25.235	274.300	4
19	222	6.403	0.942	33.078	114.700	3	17	162	4.906	0.771	-24.808	274.600	4
19	223	6.446	0.933	33.078	114.700	3	17	163	4.842	0.771	-24.424	275.400	4
19	224	8.221	0.959	43.573	106.800	3	17	164	4.792	0.771	-24.126	275.900	4
17	1	10.160	0.751	-56.454	270.700	4	17	165	4.808	0.840	-23.803	276.500	4
17	101	9.148	0.875	-49.635	271.600	4	17	166	4.743	0.843	-23.396	277.100	4
17	102	9.094	0.875	-49.311	271.600	4	17	167	4.695	0.823	-23.229	277.900	4
17	103	9.026	0.875	-48.904	271.600	4	17	168	4.630	0.823	-22.844	278.800	4
17	104	8.924	0.840	-48.502	271.500	4	17	169	4.492	0.820	-22.030	278.900	4
17	106	8.823	0.869	-47.719	271.300	4	17	170	4.358	0.855	-21.020	278.200	4
17	107	8.874	0.988	-47.314	271.200	4	17	173	4.081	0.791	-19.737	275.000	3
17	108	8.810	0.988	-46.930	270.900	4	17	175	3.994	0.791	-19.220	273.000	3
17	109	8.753	0.988	-46.587	270.700	4	17	176	4.015	0.867	-18.892	272.400	3
17	110	8.698	0.988	-46.258	270.400	4	17	178	3.854	0.869	-17.909	270.900	3
17	111	8.613	0.962	-45.907	270.100	4	17	179	3.789	0.869	-17.518	270.500	3
17	112	8.553	0.962	-45.545	269.900	4	17	180	3.692	0.869	-16.937	269.500	3
17	114	8.467	0.988	-44.874	269.300	4	17	181	3.621	0.916	-16.234	274.200	3
17	116	8.311	0.945	-44.198	269.700	4	17	183	3.460	0.887	-15.438	273.900	4
17	117	8.253	0.945	-43.851	270.000	4	17	184	3.406	0.924	-14.887	274.900	3
17	118	8.189	0.945	-43.463	270.200	4	17	185	3.379	0.962	-14.499	275.500	2
17	120	8.135	0.945	-43.140	269.800	4	17	186	3.328	0.974	-14.126	275.200	2
17	125	7.843	0.953	-41.340	269.000	4	17	187	3.284	0.997	-13.721	275.000	2
17	126	7.812	0.980	-40.996	269.400	4	17	188	3.221	0.997	-13.343	274.700	2
17	127	7.745	0.980	-40.591	269.800	4	17	189	3.130	0.971	-12.955	274.400	3
17	128	7.654	0.953	-40.202	270.200	4	17	190	3.052	0.959	-12.559	274.000	2
17	129	7.589	0.953	-39.811	270.600	4	17	191	2.964	0.936	-12.168	273.600	2
17	130	7.524	0.953	-39.426	270.900	4	17	192	2.926	0.962	-11.781	273.300	2
17	131	7.486	0.953	-39.196	271.500	4	17	193	2.895	0.997	-11.387	272.800	2
17	132	6.870	0.953	-35.499	272.700	4	17	194	2.839	1.006	-11.002	272.400	2
17	133	6.806	0.945	-35.169	272.600	4	17	195	2.772	1.006	-10.596	271.900	2
17	134	6.772	0.974	-34.791	272.500	4	17	196	2.709	1.009	-10.200	271.400	3
17	135	6.707	0.974	-34.402	272.300	4	17	197	2.646	1.009	-9.825	270.900	2
17	137	6.514	0.907	-33.640	272.100	4	17	198	2.583	1.009	-9.448	270.200	2
17	138	6.441	0.893	-33.288	271.800	4	17	199	2.508	1.000	-9.052	269.600	2
17	140	6.326	0.904	-32.530	271.200	4	17	200	2.404	0.962	-8.649	268.900	2
17	141	6.277	0.916	-32.169	270.900	4	17	201	2.324	0.933	-8.344	268.000	2
17	142	6.239	0.939	-31.798	270.700	4	17	202	2.269	0.933	-8.017	265.600	2

SHOT 6, SHOTPOINT 17				SHOT 7, SHOTPOINT 16			
SHOT POINT	RECORDER LOCATION	TRAVEL TIME (REAL)	TRAVEL TIME (T-X/6)	DISTANCE	AZIMUTH	WEIGHT	
17	203	2.219	0.933	-7.716	263.600	2	
17	204	2.160	0.922	-7.430	261.400	3	
17	205	2.114	0.922	-7.155	259.000	3	
17	206	2.075	0.924	-6.902	256.500	2	
17	207	2.013	0.924	-6.529	255.700	3	
17	208	1.947	0.924	-6.133	255.600	2	
17	209	1.890	0.936	-5.723	255.600	2	
17	210	1.789	0.907	-5.293	255.300	2	
17	211	1.701	0.887	-4.882	255.300	2	
17	213	1.554	0.887	-4.005	255.400	2	
17	214	1.421	0.806	-3.695	255.300	4	
17	216	1.208	0.713	-2.969	255.300	4	
17	217	1.034	0.623	-2.463	254.800	3	
17	218	0.896	0.553	-2.055	254.800	2	
17	220	0.760	0.553	-1.237	254.400	1	
17	221	0.572	0.435	-0.827	254.000	2	
17	222	0.445	0.374	-0.425	253.100	1	
17	223	0.205	0.200	-0.031	219.800	0	
16	1	8.357	0.811	-45.273	270.200	4	
16	101	7.257	0.849	-38.450	271.400	4	
16	102	7.203	0.849	-38.125	271.300	4	
16	103	7.136	0.849	-37.718	271.300	4	
16	104	7.051	0.832	-37.317	271.200	4	
16	105	6.984	0.829	-36.931	271.000	4	
16	106	6.872	0.782	-36.535	270.900	4	
16	107	6.793	0.771	-36.130	270.800	4	
16	108	6.729	0.771	-35.748	270.400	4	
16	109	6.701	0.800	-35.408	270.000	4	
16	110	6.618	0.771	-35.080	269.700	4	
16	111	6.562	0.774	-34.732	269.400	4	
16	112	6.520	0.791	-34.373	269.000	4	
16	114	6.392	0.774	-33.709	268.200	4	
16	116	6.258	0.753	-33.028	268.700	4	
16	117	6.264	0.817	-32.678	269.100	4	
16	118	6.172	0.791	-32.288	269.400	4	
16	123	6.055	0.861	-31.165	267.200	4	
16	125	5.807	0.777	-30.181	267.700	2	
16	126	5.638	0.667	-29.831	268.200	3	
16	127	5.666	0.762	-29.421	268.700	4	
16	128	5.606	0.768	-29.027	269.300	4	
16	129	5.378	0.606	-28.632	269.800	3	
16	130	5.357	0.649	-28.245	270.200	3	
16	131	5.318	0.649	-28.012	271.000	3	
16	132	4.827	0.774	-24.313	272.800	3	
16	133	4.855	0.858	-23.983	272.700	3	
16	134	4.783	0.849	-23.604	272.500	3	
16	135	4.677	0.808	-23.215	272.400	3	
16	137	4.606	0.864	-22.454	271.800	4	
16	138	4.561	0.878	-22.103	271.400	3	
16	140	4.443	0.885	-21.348	270.600	3	
16	141	4.377	0.879	-20.989	270.100	3	
16	142	4.321	0.885	-20.619	269.700	4	
16	143	4.242	0.867	-20.251	269.200	4	
16	144	4.219	0.909	-19.863	268.600	4	
16	147	4.062	0.925	-18.824	266.900	4	
16	148	3.981	0.911	-18.418	266.400	3	
16	149	3.927	0.917	-18.062	266.500	4	
16	150	3.854	0.901	-17.716	266.900	4	
16	151	3.791	0.901	-17.341	267.600	4	
16	152	3.735	0.885	-16.980	268.200	4	
16	153	3.662	0.887	-16.652	268.900	4	
16	154	3.577	0.870	-16.247	269.200	4	
16	155	3.528	0.879	-15.897	269.700	4	
16	156	3.484	0.896	-15.528	270.400	4	
16	157	3.401	0.873	-15.170	271.400	4	
16	159	3.388	0.961	-14.559	273.400	4	
16	160	3.309	0.926	-14.299	274.600	4	
16	161	3.274	0.931	-14.058	275.700	4	
16	162	3.162	0.889	-13.635	276.300	4	
16	163	3.121	0.910	-13.263	277.700	4	

SHOT 7, SHOTPOINT 16

SHOT 7, SHOTPOINT 16  
SHOT 8, SHOTPOINT 1

SHOT POINT	RECORDER LOCATION	TRAVEL TIME (REAL)	TRAVEL TIME (T-X/6)	DISTANCE	AZIMUTH	WEIGHT	SHOT POINT	RECORDER LOCATION	TRAVEL TIME (REAL)	TRAVEL TIME (T-X/6)	DISTANCE	AZIMUTH	WEIGHT
16	164	3.004	0.842	-12.976	278.800	4	16	224	4.525	0.721	22.823	88.300	3
16	165	2.953	0.842	-12.668	280.000	4	1		0.927	0.927	0.000	180.000	4
16	166	2.888	0.842	-12.276	281.200	4	1	101	1.957	0.811	6.873	83.800	3
16	167	2.864	0.842	-12.137	282.800	4	1	102	2.009	0.811	7.186	84.600	3
16	168	2.782	0.817	-11.786	284.600	4	1	103	2.059	0.794	7.592	84.900	3
16	169	2.646	0.816	-10.981	285.200	4	1	104	2.096	0.765	7.984	85.700	3
16	170	2.507	0.849	-9.947	284.500	3	1	105	2.153	0.759	8.360	86.700	3
16	173	2.207	0.778	-8.573	278.100	2	1	106	2.209	0.751	8.749	87.500	3
16	175	2.168	0.829	-8.033	273.500	2	1	107	2.267	0.742	9.152	87.800	3
16	176	2.163	0.879	-7.705	272.100	3	1	108	2.327	0.739	9.525	89.600	3
16	178	2.016	0.894	-6.735	268.000	3	1	109	2.363	0.719	9.867	90.800	3
16	179	1.961	0.902	-6.351	266.900	3	1	110	2.456	0.756	10.199	91.900	3
16	180	1.868	0.902	-5.798	263.400	2	1	111	2.516	0.756	10.559	93.000	3
16	181	1.639	0.795	-5.061	277.600	3	1	112	2.579	0.756	10.935	94.100	2
16	183	1.459	0.749	-4.262	277.400	3	1	114	2.697	0.756	11.646	95.900	2
16	184	1.372	0.749	-3.738	282.000	4	1	116	2.726	0.678	12.290	94.300	3
16	185	1.285	0.722	-3.375	285.100	4	1	117	2.781	0.678	12.618	93.000	4
16	186	1.181	0.682	-2.997	285.200	4	1	118	2.853	0.687	12.999	92.300	4
16	187	1.033	0.602	-2.588	285.500	4	1	123	3.042	0.667	14.254	96.900	4
16	188	0.928	0.561	-2.204	285.600	4	1	125	3.151	0.620	15.182	95.200	2
16	189	0.780	0.479	-1.809	285.700	1	1	126	3.203	0.620	15.497	94.000	2
16	189	0.774	0.473	-1.809	285.500	4	1	127	3.267	0.620	15.882	92.900	2
16	190	0.550	0.316	-1.404	285.500	4	1	128	3.527	0.617	16.258	91.800	3
16	191	0.422	0.254	-0.610	285.600	4	1	129	3.380	0.606	16.643	90.900	3
16	192	0.367	0.266	-0.610	285.900	2	1	130	3.444	0.606	17.028	90.100	3
16	193	0.111	0.077	-0.205	285.600	2	1	130	3.484	0.606	17.268	88.800	3
16	194	0.186	0.154	0.187	101.400	2	1	131	3.484	0.606	17.268	88.800	3
16	195	0.381	0.281	0.605	104.800	3	1	132	4.058	0.556	21.012	87.200	3
16	196	0.568	0.399	1.010	104.200	0	1	133	4.150	0.594	21.335	87.400	3
16	197	0.677	0.445	1.597	104.600	4	1	134	4.221	0.603	21.707	87.700	3
16	198	0.824	0.445	1.997	104.600	4	1	135	4.316	0.635	22.091	87.900	3
16	199	0.916	0.526	2.198	104.900	4	1	137	4.481	0.681	22.836	88.600	3
16	200	1.037	0.601	2.616	104.900	0	1	138	4.567	0.704	23.179	89.100	3
16	201	1.162	0.669	2.957	106.300	1	1	139	4.628	0.704	23.543	89.600	3
16	202	1.231	0.669	3.371	109.300	1	1	140	4.660	0.672	23.926	89.900	4
16	203	1.396	0.769	3.765	111.300	1	1	141	4.746	0.698	24.285	90.300	4
16	204	1.522	0.829	4.158	112.900	2	1	142	4.840	0.730	24.656	90.700	4
16	205	1.595	0.836	4.551	114.200	2	1	143	5.026	0.855	25.029	91.100	3
16	206	1.724	0.900	4.939	115.300	2	1	144	5.101	0.864	25.423	91.400	3
16	207	1.775	0.893	5.293	113.600	3	1	147	5.336	0.919	26.506	92.600	4
16	208	1.818	0.882	5.616	111.200	3	1	148	5.439	0.951	26.929	92.800	4
16	209	1.866	0.874	5.954	108.900	3	1	149	5.442	0.896	27.277	92.700	4
16	210	1.954	0.899	6.333	107.000	3	1	150	5.430	0.829	27.607	92.300	4
16	211	2.002	0.887	6.686	105.100	3	1	151	5.487	0.826	27.965	91.900	4
16	212	1.997	0.823	7.044	103.300	3	1	152	5.573	0.855	28.311	91.400	4
16	216	2.223	0.823	8.398	98.600	3	1	153	5.626	0.855	28.629	91.000	4
16	217	2.293	0.814	8.874	97.400	4	1	154	5.740	0.901	29.031	90.800	4
16	218	2.333	0.791	9.252	96.500	4	1	155	5.792	0.896	29.378	90.500	4
16	219	2.451	0.846	9.633	95.600	4	1	156	5.853	0.896	29.745	90.100	4
16	221	2.528	0.793	10.407	94.000	4	1	157	6.021	1.003	30.107	89.600	4
16	222	2.566	0.769	10.787	93.300	4	1	159	6.113	0.988	30.746	88.700	4
16	223	2.662	0.801	11.168	92.700	4	1	160	6.140	0.968	31.032	88.200	4

SHOT 8, SHOTPOINT 1  
SHOT 9, SHOTPOINT 3

SHOT POINT	RECORDER LOCATION	TRAVEL TIME (REAL)	TRAVEL TIME (T-X/6)	DISTANCE	AZIMUTH	WEIGHT
1	161	6.168	0.951	31.306	87.700	4
1	162	6.233	0.942	31.745	87.600	3
1	163	6.280	0.919	32.166	87.100	3
1	164	6.355	0.939	32.496	86.800	3
1	165	6.415	0.939	32.858	86.400	3
1	166	6.459	0.910	33.297	86.200	4
1	167	6.498	0.910	33.529	85.700	4
1	168	6.582	0.919	33.979	85.300	4
1	169	6.631	0.895	34.778	85.500	4
1	170	6.757	0.806	35.710	86.300	3
1	173	6.939	0.806	36.798	88.400	4
1	175	6.960	0.751	37.255	89.500	4
1	176	6.995	0.733	37.573	89.800	4
1	178	7.059	0.635	38.545	90.600	4
1	179	7.109	0.620	38.936	90.800	3
1	180	7.149	0.562	39.524	91.200	3
1	181	7.472	0.762	40.259	89.300	4
1	183	7.580	0.739	41.047	89.500	4
1	184	7.681	0.745	41.619	89.200	4
1	185	7.739	0.736	42.018	89.000	4
1	186	7.809	0.745	42.384	89.200	4
1	187	7.875	0.745	42.781	89.300	4
1	188	8.000	0.742	43.151	89.400	4
1	189	8.053	0.745	43.531	89.600	4
1	190	8.117	0.733	43.920	89.700	4
1	191	8.169	0.722	44.305	89.900	4
1	192	8.222	0.722	44.686	90.000	4
1	193	8.272	0.707	45.076	90.100	4
1	194	8.272	0.696	45.457	90.300	4
1	195	8.339	0.696	45.859	90.400	4
1	196	8.419	0.710	46.255	90.500	4
1	197	8.482	0.710	46.629	90.600	4
1	198	8.544	0.710	47.007	90.800	4
1	199	8.625	0.724	47.405	90.900	4
1	200	8.693	0.724	47.810	91.000	4
1	201	8.751	0.730	48.123	91.200	4
1	202	8.838	0.759	48.475	91.500	4
1	203	8.871	0.736	48.809	91.800	4
1	204	8.909	0.719	49.140	92.100	4
1	205	8.976	0.730	49.472	92.300	4
1	206	8.986	0.687	49.796	92.600	4
1	207	9.305	0.942	50.181	92.600	4
1	208	9.383	0.956	50.563	92.500	4
1	209	9.449	0.956	50.953	92.400	4
1	210	9.490	0.927	51.374	92.200	4
1	211	9.541	0.913	51.767	92.100	4
1	212	9.618	0.924	52.163	92.000	4
1	216	9.846	0.913	53.599	91.200	4
1	219	10.021	0.875	54.873	91.500	4
1	221	10.144	0.867	55.663	90.900	4
1	222	10.196	0.853	56.049	90.800	4
1	223	10.223	0.817	56.434	90.700	4

SHOT 10, SHOTPOINT 4

SHOT 9, SHOTPOINT 3  
SHOT 10, SHOTPOINT 4

SHOT POINT	RECORDER LOCATION	TRAVEL TIME (REAL)	TRAVEL TIME (T-X/6)	DISTANCE	AZIMUTH	WEIGHT	SHOT POINT	RECORDER LOCATION	TRAVEL TIME (REAL)	TRAVEL TIME (T-X/6)	DISTANCE	AZIMUTH	WEIGHT
3	163	4.126	0.945	19.087	83.100	4	4	101	3.265	0.667	-15.593	270.000	3
3	164	4.177	0.939	19.430	82.600	4	4	102	3.212	0.667	-15.271	269.700	3
3	165	4.231	0.930	19.806	82.100	4	4	103	3.106	0.629	-14.864	269.700	3
3	166	4.170	0.794	20.255	81.800	3	4	104	3.031	0.620	-14.465	269.400	3
3	167	4.212	0.794	20.510	81.000	3	4	105	2.956	0.609	-14.082	268.900	3
3	169	4.369	0.742	21.763	81.000	3	4	106	2.838	0.556	-13.690	268.500	3
3	170	4.518	0.742	22.657	82.400	3	4	107	2.748	0.533	-13.287	268.300	3
3	173	4.687	0.742	23.668	85.800	3	4	108	2.666	0.513	-12.919	267.000	3
3	175	4.758	0.698	24.096	87.600	3	4	109	2.585	0.487	-12.592	266.000	3
3	176	4.766	0.698	24.407	88.100	3	4	110	2.542	0.496	-12.280	265.000	4
3	178	4.935	0.707	25.365	89.400	3	4	111	2.514	0.522	-11.954	263.800	4
3	179	4.999	0.719	25.754	89.600	3	4	112	2.444	0.507	-11.622	262.400	4
3	180	5.108	0.719	26.336	90.300	3	4	114	2.321	0.484	-11.020	259.800	3
3	181	5.236	0.719	27.104	87.500	3	4	116	2.213	0.496	-10.307	260.700	3
3	183	5.367	0.719	27.887	87.800	4	4	117	2.133	0.478	-9.926	261.900	4
3	184	5.463	0.719	28.466	87.400	4	4	118	2.060	0.472	-9.523	262.400	4
3	185	5.533	0.722	28.868	87.200	4	4	123	1.897	0.458	-8.637	253.400	4
3	186	5.593	0.722	29.231	87.400	4	4	125	1.686	0.417	-7.611	253.800	4
3	187	5.656	0.719	29.624	87.700	4	4	126	1.592	0.391	-7.206	255.200	4
3	188	5.717	0.733	30.369	88.100	4	4	127	1.487	0.362	-6.748	256.700	4
3	189	5.815	0.736	30.754	88.300	4	4	128	1.376	0.324	-6.308	258.400	4
3	191	5.920	0.730	31.137	88.500	4	4	129	1.303	0.324	-5.873	260.100	4
3	192	6.012	0.759	31.516	88.800	4	4	130	1.193	0.284	-5.456	261.700	3
3	193	6.085	0.768	31.902	89.000	4	4	131	1.118	0.255	-5.177	265.600	3
3	194	6.134	0.753	32.282	89.100	4	4	132	0.920	0.275	-1.467	281.300	2
3	195	6.200	0.753	32.682	89.400	4	4	133	0.426	0.238	-1.131	280.600	2
3	196	6.249	0.736	33.075	89.500	4	4	134	0.316	0.191	-0.747	279.700	2
3	197	6.311	0.736	33.448	89.700	4	4	135	0.204	0.145	-0.355	279.700	2
3	198	6.324	0.687	33.824	89.900	4	4	137	0.239	0.165	0.447	115.500	3
3	199	6.410	0.707	34.220	90.100	4	4	138	0.362	0.223	0.833	115.900	3
3	200	6.440	0.669	34.625	90.300	4	4	139	0.487	0.278	1.254	117.200	4
3	201	6.495	0.672	34.936	90.500	4	4	140	0.702	0.359	2.058	115.500	2
3	202	6.550	0.669	35.284	91.000	4	4	141	0.809	0.400	2.457	115.000	4
3	203	6.608	0.672	35.616	91.400	4	4	142	0.924	0.446	2.866	115.000	4
3	204	6.649	0.658	35.945	91.800	4	4	143	1.033	0.484	3.294	114.800	4
3	205	6.712	0.667	36.276	92.100	4	4	144	1.418	0.597	4.928	115.000	4
3	206	6.749	0.649	36.598	92.500	4	4	148	1.476	0.655	5.223	112.700	3
3	208	6.906	0.678	37.366	92.300	4	4	149	1.604	0.733	5.483	109.900	3
3	209	6.960	0.667	37.758	92.000	4	4	150	1.673	0.759	5.763	106.600	3
3	210	7.012	0.649	38.179	92.100	4	4	151	1.743	0.782	6.047	103.700	3
3	211	7.037	0.609	38.572	91.800	4	4	152	1.848	0.840	6.319	101.300	3
3	212	7.257	0.762	38.969	91.600	4	4	153	1.908	0.855	6.700	99.900	3
3	216	7.610	0.875	40.408	91.000	4	4	154	1.986	0.869	6.319	99.900	3
3	218	7.760	0.878	41.293	90.700	4	4	155	2.068	0.898	7.020	98.100	3
3	219	7.817	0.869	41.685	90.600	4	4	156	2.163	0.936	7.362	96.300	3
3	221	7.900	0.820	42.478	90.300	4	4	157	2.263	0.980	7.699	94.000	3
3	222	7.950	0.806	42.865	90.100	4	4	159	2.461	1.075	8.312	90.300	4
3	223	8.011	0.806	43.252	90.000	4	4	160	2.508	1.075	8.594	88.500	4
3	224	9.956	0.803	54.920	88.800	4	4	161	2.553	1.075	8.869	86.900	4
4	1	4.447	0.707	-22.438	268.100	4	4	162	2.693	1.142	9.310	86.400	3
4								163	2.765	1.142	9.739	84.900	3

SHOT 10, SHOTPOINT 4

SHOT 11, SHOTPOINT 20

SHOT POINT	RECORDER LOCATION	TRAVEL TIME (REAL)	TRAVEL TIME (T-X/6)	DISTANCE	AZIMUTH	WEIGHT	SHOT POINT	RECORDER LOCATION	TRAVEL TIME (REAL)	TRAVEL TIME (T-X/6)	DISTANCE	AZIMUTH	WEIGHT
4	164	2.821	1.142	10.078	83.900	3	20	29	1.871	0.629	-7.455	263.700	1
4	165	2.915	1.174	10.450	82.900	4	20	402	10.070	0.684	56.318	90.200	4
4	166	2.990	1.174	10.898	82.300	4	20	403	9.661	0.719	53.651	89.600	4
4	167	3.076	1.217	11.153	80.800	4	20	406	9.475	0.672	52.815	89.700	4
4	168	3.178	1.240	11.623	79.800	4	20	407	9.336	0.672	51.979	90.100	4
4	169	3.334	1.267	12.406	80.800	4	20	408	9.150	0.664	50.821	90.200	4
4	170	3.434	1.217	13.303	83.200	3	20	409	8.951	0.603	50.091	90.400	3
4	173	3.384	0.991	14.360	88.800	3	20	410	8.812	0.617	49.168	90.700	4
4	176	3.471	0.945	14.832	91.600	3	20	412	8.349	0.507	47.049	91.300	4
4	178	3.620	0.927	15.158	92.400	4	20	413	8.201	0.478	46.337	91.800	4
4	179	3.686	0.927	16.155	94.100	4	20	416	7.843	0.524	43.909	95.200	4
4	180	3.776	0.916	17.159	94.400	4	20	417	7.700	0.524	43.054	95.400	4
4	181	3.861	0.890	17.830	95.300	4	20	418	7.614	0.574	42.244	95.300	4
4	183	3.947	0.843	18.621	90.800	4	20	419	7.497	0.574	41.542	95.300	4
4	185	4.058	0.794	19.585	91.100	4	20	420	7.366	0.574	40.755	95.700	4
4	186	4.108	0.782	19.953	90.100	4	20	421	7.342	0.574	40.607	95.200	4
4	187	4.047	0.855	20.351	90.400	4	20	422	7.275	0.574	40.207	95.100	4
4	188	4.149	0.696	20.724	90.600	4	20	423	7.272	0.629	39.858	95.100	4
4	189	4.225	0.707	21.107	90.900	4	20	425	7.076	0.577	38.998	95.000	4
4	191	4.290	0.730	21.498	91.200	4	20	426	7.036	0.614	38.528	94.900	4
4	192	4.442	0.730	22.271	91.400	4	20	427	6.975	0.614	38.165	94.900	4
4	193	4.508	0.730	22.664	91.700	4	20	428	6.849	0.556	37.754	94.900	4
4	194	4.621	0.780	23.048	91.900	4	20	429	6.816	0.582	37.403	94.800	4
4	195	4.689	0.780	23.454	92.200	4	20	432	6.610	0.582	36.166	95.900	4
4	196	4.755	0.780	23.853	92.600	4	20	434	6.624	0.765	35.754	96.300	3
4	197	4.803	0.765	24.231	92.800	4	20	435	6.666	0.765	35.408	96.700	3
4	198	4.867	0.765	24.612	93.000	4	20	436	6.626	0.797	34.974	97.200	4
4	199	4.934	0.765	25.014	93.200	4	20	437	6.530	0.803	34.684	97.500	4
4	200	5.002	0.765	25.423	93.400	4	20	438	6.461	0.814	34.294	97.900	4
4	201	5.073	0.782	25.843	93.600	4	20	439	6.419	0.829	33.880	98.300	4
4	202	5.145	0.794	26.107	93.900	4	20	440	6.355	0.829	33.539	98.500	4
4	203	5.174	0.765	26.454	94.400	4	20	441	6.294	0.838	32.741	98.700	4
4	204	5.249	0.782	26.797	94.900	4	20	442	6.229	0.835	32.367	98.900	4
4	206	5.339	0.759	27.479	95.400	4	20	443	6.309	0.982	31.959	99.000	4
4	207	5.383	0.739	27.863	96.300	4	20	445	6.168	0.982	31.112	98.900	4
4	208	5.428	0.722	28.237	96.200	4	20	446	6.083	0.977	30.637	98.600	4
4	209	5.492	0.722	28.622	95.700	4	20	447	6.023	0.977	30.280	99.300	4
4	210	5.561	0.722	29.036	95.500	4	20	448	5.830	0.859	29.766	99.200	3
4	211	5.625	0.722	29.422	95.200	4	20	449	5.717	0.890	28.962	98.800	3
4	212	5.690	0.722	29.810	94.900	4	20	451	5.590	0.919	28.031	98.300	3
4	216	5.961	0.756	31.225	94.000	4	20	452	5.494	0.910	27.506	98.000	3
4	218	6.106	0.756	32.098	93.500	4	20	454	5.378	0.910	26.808	97.600	3
4	219	6.171	0.756	32.485	93.300	4	20	455	5.320	0.910	26.460	97.500	3
4	221	6.301	0.756	33.267	92.800	4	20	456	5.255	0.910	26.070	97.400	3
4	222	6.365	0.756	33.649	92.600	4	20	457	5.185	0.910	25.652	97.300	3
4	224	6.428	0.756	34.031	92.600	4	20	458	5.104	0.896	25.248	97.300	3
4	224	6.369	0.759	45.657	90.300	4	20	459	4.951	0.817	24.838	97.300	3
4	224	8.369	0.759	45.657	90.300	4	20	461	4.838	0.829	24.057	97.700	4
							20	462	4.776	0.829	23.681	97.600	4

SHOT 11, SHOTPOINT 20  
 SHOT 12, SHOTPOINT 7

SHOT 11, SHOTPOINT 20

SHOT POINT	RECORDER LOCATION	TRAVEL TIME (REAL)	TRAVEL TIME (T-X/6)	DISTANCE	AZIMUTH	HEIGHT	SHOT POINT	RECORDER LOCATION	TRAVEL TIME (REAL)	TRAVEL TIME (T-X/6)	DISTANCE	AZIMUTH	HEIGHT
20	463	4.713	0.826	23.320	97.700	4	20	518	0.606	0.322	1.707	168.300	4
20	464	4.686	0.867	22.918	97.800	4	20	519	0.058	0.052	0.034	324.700	2
20	465	4.577	0.835	22.454	98.000	4	7	402	8.107	1.003	42.625	88.100	4
20	466	4.496	0.820	22.034	98.100	4	7	403	7.976	1.003	41.840	87.600	4
20	467	4.415	0.806	21.657	98.200	4	7	405	7.667	1.003	39.986	87.000	4
20	468	4.348	0.806	21.253	98.300	4	7	406	7.527	1.003	39.143	87.200	4
20	469	4.254	0.777	20.864	98.400	4	7	407	7.431	1.049	38.294	87.600	4
20	470	4.168	0.756	20.469	98.600	4	7	408	7.240	1.035	37.231	87.800	4
20	471	4.095	0.756	20.031	98.700	4	7	409	7.033	0.968	36.393	88.000	4
20	472	4.032	0.762	19.617	98.800	4	7	410	6.878	0.968	35.462	88.300	4
20	473	3.924	0.724	19.198	99.000	4	7	412	6.484	0.930	33.321	89.100	4
20	474	3.916	0.782	18.804	99.100	4	7	413	6.363	0.930	32.596	89.700	4
20	475	3.836	0.771	18.391	99.300	4	7	414	6.216	0.930	31.714	91.300	4
20	476	3.756	0.751	18.033	99.500	4	7	415	6.099	0.942	30.943	93.000	4
20	477	3.654	0.724	17.577	99.000	4	7	416	5.955	0.939	30.098	94.400	4
20	478	3.581	0.724	17.136	98.700	4	7	417	5.856	0.782	29.241	94.700	4
20	479	3.490	0.701	16.734	98.500	4	7	418	5.631	0.893	28.431	94.600	4
20	480	3.399	0.684	16.292	98.300	4	7	419	5.506	0.884	27.730	94.500	4
20	481	3.325	0.684	15.846	97.900	4	7	420	5.353	0.864	26.939	95.100	4
20	482	3.235	0.649	15.517	97.700	4	7	421	5.330	0.864	26.796	94.300	4
20	483	3.120	0.614	15.035	97.200	4	7	422	5.280	0.881	26.397	94.300	4
20	484	4.946	0.861	22.110	40.700	3	7	423	5.234	0.893	26.048	94.200	4
20	485	3.066	0.753	13.876	96.900	3	7	424	5.159	0.934	25.600	94.100	4
20	486	2.941	0.722	13.318	97.100	3	7	425	5.135	0.956	25.189	94.000	4
20	487	2.862	0.710	12.914	97.300	3	7	426	4.989	0.869	24.720	93.900	4
20	488	2.759	0.675	12.505	97.600	3	7	427	4.941	0.881	24.358	93.800	4
20	489	2.707	0.690	12.105	97.800	3	7	428	4.919	0.927	23.947	93.800	4
20	490	2.600	0.649	11.707	98.100	3	7	429	4.860	0.927	23.597	93.600	4
20	492	2.468	0.649	10.912	98.700	3	7	431	4.784	0.982	22.809	94.600	4
20	493	2.357	0.603	10.523	99.000	3	7	432	4.762	1.038	22.348	95.400	4
20	494	2.269	0.582	10.122	99.400	3	7	433	4.748	1.093	21.934	96.000	3
20	495	2.231	0.609	9.736	99.800	4	7	434	4.691	1.093	21.587	96.600	3
20	496	2.135	0.640	9.326	100.100	4	7	435	4.615	1.090	21.154	97.400	3
20	497	2.075	0.585	8.940	100.700	4	7	436	4.587	1.110	20.864	97.900	4
20	498	1.978	0.553	8.539	101.100	4	7	437	4.523	1.110	20.477	98.700	4
20	499	1.917	0.562	8.136	101.700	4	7	438	4.512	1.168	20.067	99.400	4
20	500	1.858	0.565	7.760	102.300	4	7	439	4.366	1.078	19.728	99.700	3
20	501	1.789	0.562	7.364	103.000	4	7	440	4.303	1.078	19.350	100.000	3
20	502	1.796	0.629	7.006	104.000	4	7	441	4.330	1.174	18.935	100.400	3
20	503	1.699	0.606	6.559	105.200	4	7	442	4.195	1.101	18.562	100.500	3
20	504	1.613	0.574	6.237	105.900	3	7	443	4.237	1.211	18.155	100.600	3
20	505	1.488	0.516	5.836	106.800	3	7	445	4.096	1.211	17.307	100.500	3
20	506	1.388	0.478	5.458	108.100	4	7	446	4.016	1.211	16.828	100.000	3
20	507	1.304	0.458	5.080	109.500	3	7	447	3.959	1.211	16.483	101.400	4
20	508	1.534	0.751	4.698	111.200	4	7	448	3.872	1.211	15.966	101.200	2
20	510	1.395	0.733	3.972	115.000	4	7	449	3.738	1.211	15.157	100.700	2
20	512	1.207	0.667	3.244	120.900	4	7	451	3.552	1.182	14.219	99.800	3
20	513	1.067	0.580	2.923	125.200	4	7	452	3.377	1.096	13.692	99.300	3
20	514	2.599	0.539	2.599	130.100	4	7	454	3.263	1.048	12.941	98.500	3
20	515	0.809	0.440	2.208	135.200	4	7	455	3.205	1.098	12.641	98.200	3
20	516	0.749	0.411	2.026	145.600	4	7	455	3.068	1.026	12.251	98.000	3
20	517	0.654	0.348	1.836	156.500	4	7	456					

SHOT 12, SHOTPOINT 7  
SHOT 13, SHOTPOINT 23

SHOT POINT	RECORDER LOCATION	TRAVEL TIME (REAL)	TRAVEL TIME (T-X/6)	DISTANCE	AZIMUTH	WEIGHT	SHOT POINT	RECORDER LOCATION	TRAVEL TIME (REAL)	TRAVEL TIME (T-X/6)	DISTANCE	AZIMUTH	WEIGHT
7	458	2.881	0.977	11.429	97.800	3	7	514	2.779	0.823	-11.735	269.900	4
7	459	2.813	0.977	11.019	97.900	3	7	515	2.859	0.832	-12.166	270.400	4
7	460	2.733	0.962	10.626	98.700	3	7	516	2.908	0.811	-12.579	269.900	4
7	461	2.669	0.962	10.240	98.800	3	7	517	2.930	0.765	-12.991	269.800	4
7	462	2.623	0.980	9.863	98.800	3	7	518	2.986	0.756	-13.378	269.900	4
7	463	2.581	0.997	9.503	98.900	3	7	519	3.017	0.710	-13.843	276.900	4
7	464	2.534	1.017	9.102	99.400	3							
7	465	2.457	1.017	8.640	99.800	3	23	27	7.960	0.814	42.874	89.000	4
7	466	2.414	1.040	8.242	100.200	3	23	29	6.613	0.817	-34.775	274.900	3
7	467	2.308	1.000	7.847	100.600	3	23	402	5.721	0.835	29.320	82.900	3
7	468	2.192	0.951	7.446	101.100	2	23	403	5.599	0.838	28.569	82.100	4
7	469	2.031	0.855	7.059	101.600	3	23	405	5.360	0.898	26.767	80.900	4
7	470	1.917	0.806	6.668	102.300	3	23	406	5.270	0.951	25.915	81.000	4
7	471	1.908	0.869	6.233	102.700	2	23	407	5.124	0.951	25.040	81.400	4
7	472	1.747	0.777	5.823	103.500	3	23	408	4.996	1.000	23.974	81.300	3
7	473	1.679	0.777	5.412	104.500	3	23	409	4.830	0.977	23.122	81.500	2
7	474	1.620	0.782	5.025	105.500	3	23	410	4.635	0.939	22.178	81.600	2
7	475	1.477	0.707	4.622	106.700	3	23	412	4.150	0.817	19.996	82.200	4
7	477	1.283	0.649	3.801	106.800	3	23	413	4.026	0.820	19.237	82.900	4
7	478	1.185	0.626	3.353	106.400	3	23	414	3.886	0.843	18.256	85.500	2
7	479	1.077	0.585	2.948	106.500	3	23	415	3.744	0.843	17.403	88.100	3
7	480	1.014	0.597	2.501	106.300	4	23	416	3.570	0.820	16.500	90.500	3
7	481	0.947	0.606	2.046	105.600	3	23	417	3.382	0.777	15.634	90.900	4
7	482	0.807	0.522	1.710	104.500	1	23	418	3.341	0.869	14.831	90.400	3
7	483	0.609	0.406	1.218	101.400	2	23	419	3.225	0.869	14.134	90.000	3
7	485	0.073	0.064	0.056	104.800	2	23	420	3.090	0.869	13.323	91.000	3
7	486	0.296	0.211	-0.507	269.700	3	23	421	2.899	0.887	12.817	89.300	4
7	487	0.512	0.359	-0.914	270.000	0	23	422	3.009	0.872	12.817	89.000	3
7	488	0.659	0.438	-1.327	269.600	1	23	423	2.940	0.861	12.474	88.700	3
7	489	0.819	0.530	-1.730	269.900	1	23	424	2.892	0.887	12.033	88.300	3
7	490	0.996	0.640	-2.132	269.900	1	23	425	2.825	0.887	11.627	87.900	3
7	491	1.144	0.722	-2.536	269.900	1	23	426	2.736	0.875	11.166	87.400	3
7	492	1.266	0.777	-2.935	270.000	0	23	427	2.695	0.893	10.812	86.900	3
7	493	1.329	0.774	-3.329	269.900	1	23	428	2.609	0.875	10.405	86.600	3
7	494	1.452	0.829	-3.736	269.900	1	23	429	2.553	0.875	10.067	86.000	2
7	495	1.500	0.811	-4.130	269.700	3	23	431	2.422	0.884	9.231	87.900	2
7	496	1.600	0.843	-4.542	270.000	2	23	432	2.344	0.887	8.741	89.400	4
7	497	1.681	0.858	-4.938	269.800	2	23	433	2.280	0.896	8.305	90.800	2
7	498	1.792	0.901	-5.344	269.900	2	23	434	2.199	0.875	7.940	92.200	1
7	499	1.884	0.924	-5.755	270.000	2	23	435	2.123	0.875	7.488	94.100	1
7	500	1.933	0.924	-6.141	269.900	2	23	436	2.062	0.864	7.189	95.600	1
7	501	2.038	0.942	-6.547	269.900	2	23	437	1.947	0.814	6.794	97.600	1
7	502	2.099	0.945	-6.925	269.600	2	23	438	1.878	0.814	6.382	99.900	2
7	503	2.177	0.945	-7.394	269.400	2	23	439	1.741	0.733	6.045	100.900	1
7	504	2.250	0.962	-7.724	269.500	4	23	440	1.614	0.669	5.670	102.200	1
7	505	2.318	0.962	-8.137	269.700	4	23	441	1.546	0.669	5.262	103.700	1
7	506	2.385	0.962	-8.537	269.600	4	23	442	1.499	0.635	4.831	104.300	1
7	507	2.475	0.985	-8.936	269.600	4	23	443	1.459	0.751	4.488	105.100	2
7	508	2.502	0.945	-9.343	269.700	4	23	445	1.372	0.765	3.639	105.600	2
7	510	2.565	0.878	-10.123	269.800	4	23	446	1.215	0.690	3.151	103.700	2
7	512	2.702	0.878	-10.541	269.900	4	23	447	1.079	0.603	2.860	112.300	2
7	513	2.712	0.823	-11.336	269.800	4	23	448	0.860	0.469	2.341	113.300	1



SHOT 13, SHOTPOINT 23  
SHOT 14, SHOTPOINT 25

SHOT POINT	RECORDER LOCATION	TRAVEL TIME (REAL)	TRAVEL TIME (T-X/6)	DISTANCE	AZIMUTH	WEIGHT	SHOT POINT	RECORDER LOCATION	TRAVEL TIME (REAL)	TRAVEL TIME (T-X/6)	DISTANCE	AZIMUTH	WEIGHT
23	449	0.578	0.324	1.519	114.200	1	23	505	4.591	0.965	-21.753	275.600	4
23	451	0.252	0.159	0.558	116.400	0	23	506	4.712	1.020	-22.150	275.500	4
23	452	0.028	0.023	0.029	176.000	0	23	508	4.843	1.017	-22.953	275.300	4
23	454	0.237	0.119	-0.712	291.700	0	23	510	5.002	1.046	-23.732	275.200	4
23	455	0.398	0.220	-1.066	290.400	0	23	512	5.135	1.043	-24.548	275.000	4
23	456	0.602	0.359	-1.456	288.600	0	23	513	5.191	1.035	-24.940	274.900	4
23	457	0.790	0.478	-1.872	286.900	0	23	514	5.174	0.951	-25.338	274.900	4
23	458	0.889	0.510	-2.275	285.900	2	23	515	5.232	0.936	-25.777	275.000	4
23	459	0.980	0.533	-2.679	284.300	3	23	516	5.273	0.910	-26.180	274.700	4
23	460	1.203	0.693	-3.061	280.800	1	23	517	5.342	0.910	-26.589	274.600	4
23	461	1.279	0.704	-3.446	280.300	1	23	518	5.406	0.910	-26.976	274.600	4
23	462	1.341	0.704	-3.822	280.100	1	23	519	5.480	0.893	-27.524	278.000	4
23	463	1.390	0.693	-4.182	279.700	1	25	27	5.711	0.780	-29.590	88.000	4
23	464	1.448	0.684	-4.583	278.800	1	25	29	8.535	0.527	-48.047	279.800	4
23	465	1.528	0.687	-5.046	278.100	2	25	402	3.380	0.669	16.265	76.300	4
23	466	1.644	0.736	-5.446	277.600	2	25	403	3.276	0.681	15.568	74.600	4
23	467	1.736	0.762	-5.844	277.200	2	25	405	3.029	0.716	13.876	71.200	4
23	468	1.792	0.751	-6.249	276.800	2	25	406	2.954	0.782	13.030	70.800	4
23	469	1.843	0.736	-6.639	276.600	2	25	407	2.715	0.693	12.135	70.900	4
23	470	1.831	0.658	-7.036	276.200	2	25	408	2.285	0.675	11.097	69.700	4
23	471	1.912	0.667	-7.474	276.200	2	25	409	2.285	0.577	10.249	69.100	4
23	472	1.987	0.672	-7.890	276.000	3	25	410	2.080	0.527	9.314	68.200	4
23	473	2.040	0.655	-8.312	275.700	3	25	412	1.644	0.452	7.151	65.700	4
23	474	2.182	0.730	-8.709	275.500	3	25	413	1.534	0.475	6.353	65.800	4
23	475	2.355	0.835	-9.125	275.300	3	25	414	1.316	0.452	5.182	71.200	3
23	476	2.419	0.838	-9.486	275.100	3	25	415	1.180	0.484	4.178	78.900	2
23	477	2.493	0.838	-9.931	276.200	3	25	416	0.992	0.458	3.206	88.500	2
23	478	2.513	0.785	-10.368	276.800	4	25	417	0.766	0.377	2.337	90.400	3
23	479	2.580	0.785	-10.768	277.200	4	25	418	0.665	0.409	1.541	85.200	1
23	480	2.653	0.785	-11.209	277.600	4	25	419	0.420	0.275	0.867	75.600	4
23	481	2.728	0.785	-11.655	278.000	4	25	420	0.036	0.032	0.029	114.500	1
23	482	2.832	0.835	-11.984	278.400	4	25	421	0.218	0.153	-0.386	347.400	1
23	483	2.924	0.846	-12.468	278.900	4	25	422	0.315	0.206	-0.654	312.800	2
23	485	3.225	0.953	-13.629	279.100	4	25	423	0.402	0.240	-0.967	301.500	2
23	486	3.297	0.933	-14.185	278.800	4	25	424	0.450	0.217	-1.397	294.900	2
23	487	3.364	0.933	-14.588	278.600	4	25	425	0.572	0.272	-1.797	291.200	2
23	489	3.519	0.953	-15.396	278.100	4	25	426	0.617	0.240	-2.262	288.900	4
23	490	3.609	0.977	-15.794	277.900	4	25	427	0.681	0.243	-2.623	286.000	4
23	491	3.679	0.980	-16.194	277.700	4	25	428	0.785	0.281	-3.023	285.900	4
23	492	3.724	0.959	-16.589	277.500	4	25	429	0.900	0.336	-3.382	285.900	4
23	493	3.857	0.959	-17.383	277.200	4	25	431	1.361	0.600	-4.108	277.800	4
23	494	3.857	0.959	-17.383	277.000	4	25	432	1.085	0.400	-4.565	273.900	4
23	495	3.924	0.962	-17.773	277.000	4	25	433	1.458	0.626	-4.992	271.300	3
23	496	4.052	0.966	-18.184	276.900	4	25	434	1.520	0.626	-5.362	269.100	4
23	498	4.085	0.922	-18.980	276.600	4	25	435	1.607	0.635	-5.835	266.900	4
23	499	4.173	0.942	-19.389	276.400	4	25	436	1.591	0.565	-6.158	265.600	4
23	500	4.231	0.936	-19.771	276.300	4	25	437	1.641	0.542	-6.597	264.100	4
23	501	4.290	0.927	-20.175	276.200	4	25	438	1.719	0.542	-7.061	262.900	4
23	502	4.355	0.930	-20.547	276.000	4	25	439	1.778	0.542	-7.417	262.900	4
23	503	4.432	0.930	-21.010	275.700	4	25	440	1.844	0.542	-7.813	262.900	4
23	504	4.496	0.939	-21.340	275.700	4	25	441	1.916	0.542	-8.247	262.900	4

SHOT 14, SHOTPOINT 25

SHOT 14, SHOTPOINT 25  
SHOT 15, SHOTPOINT 27

SHOT POINT	RECORDER LOCATION	TRAVEL TIME (REAL)	TRAVEL TIME (T-X/6)	DISTANCE	AZIMUTH	WEIGHT
25	442	1.977	0.542	-8.612	263.500	4
25	443	2.102	0.500	-9.012	264.000	3
25	445	2.367	0.730	-9.819	265.600	3
25	446	2.430	0.722	-10.248	267.100	4
25	447	2.534	0.753	-10.685	265.400	4
25	448	2.618	0.756	-11.168	266.400	4
25	449	2.763	0.777	-11.917	268.100	4
25	451	2.970	0.838	-12.795	269.900	4
25	452	3.097	0.881	-13.293	270.800	4
25	454	3.209	0.881	-13.965	272.000	4
25	455	3.277	0.893	-14.307	272.400	4
25	456	3.269	0.820	-14.691	272.700	4
25	457	3.303	0.785	-15.105	272.900	4
25	458	3.323	0.739	-15.506	273.100	4
25	459	3.426	0.774	-15.916	273.200	3
25	460	3.494	0.774	-16.321	272.800	3
25	461	3.558	0.774	-16.706	272.900	3
25	462	3.621	0.774	-17.081	273.000	3
25	463	3.646	0.739	-17.442	273.100	3
25	464	3.714	0.739	-17.848	273.000	3
25	465	3.791	0.739	-18.315	272.900	3
25	466	3.858	0.739	-18.717	272.900	3
25	467	3.925	0.739	-19.117	272.900	3
25	468	3.993	0.739	-19.524	272.800	3
25	469	4.058	0.739	-19.914	272.800	4
25	470	4.069	0.684	-20.313	272.800	4
25	471	4.174	0.716	-20.731	272.900	4
25	472	4.247	0.719	-21.168	272.800	4
25	473	4.329	0.730	-21.591	272.800	4
25	474	4.413	0.748	-21.989	272.800	4
25	475	4.508	0.774	-22.406	272.700	4
25	476	4.592	0.797	-22.768	272.700	4
25	477	4.664	0.797	-23.203	273.200	4
25	478	4.687	0.748	-23.633	273.500	4
25	479	4.709	0.704	-24.029	274.700	4
25	480	4.785	0.707	-24.465	274.000	4
25	481	4.855	0.704	-24.903	274.300	4
25	482	4.938	0.733	-25.227	274.500	4
25	483	5.017	0.733	-25.701	274.800	4
25	484	5.210	0.652	-33.348	308.600	4
25	485	5.290	0.814	-26.856	275.100	4
25	486	5.366	0.797	-27.416	275.000	4
25	487	5.434	0.797	-27.822	275.000	4
25	488	5.494	0.788	-28.234	274.900	4
25	489	5.561	0.788	-28.636	274.800	4
25	490	5.625	0.785	-29.036	274.700	4
25	491	5.686	0.780	-29.439	274.700	4
25	492	5.752	0.780	-29.836	274.600	4
25	493	5.728	0.690	-30.229	274.600	4
25	494	5.798	0.693	-30.635	274.500	4
25	495	5.820	0.649	-31.027	274.400	4
25	496	5.889	0.649	-31.439	274.400	4
25	497	5.955	0.649	-31.833	274.300	4
25	498	6.022	0.649	-32.239	274.300	4
25	499	6.093	0.652	-32.649	274.200	4
25	500	6.157	0.652	-33.033	274.200	4
25	501	6.225	0.652	-33.438	274.100	4
25	502	6.290	0.655	-33.812	274.000	4
25	503	6.258	0.545	-34.278	273.900	4
25	504	6.562	0.794	34.608	273.900	4
25	505	6.631	0.794	35.021	273.900	4
25	506	6.697	0.794	35.420	273.800	4
25	507	6.697	0.794	35.820	273.800	2
25	508	6.565	0.527	-36.225	273.700	4
25	510	6.695	0.527	-37.004	273.700	4
25	512	6.831	0.527	-37.822	273.600	4
25	513	6.897	0.527	-38.215	273.500	4
25	514	6.963	0.527	-38.614	273.500	4
25	515	7.036	0.527	-39.051	273.500	4
25	516	7.104	0.527	-39.457	273.500	4
25	517	7.172	0.527	-39.867	273.400	4
25	518	7.236	0.527	-40.254	273.400	4
25	519	7.319	0.527	-40.750	273.700	4
27	27	0.029	0.029	0.000	180.000	0
27	29	13.580	0.658	-77.535	271.600	3
27	29	13.382	0.459	-77.535	271.600	4
27	402	2.942	0.600	-14.051	281.600	2
27	403	3.082	0.600	-14.890	282.100	4
27	405	3.418	0.620	-16.788	281.900	2
27	406	3.587	0.658	-17.574	280.800	2
27	407	3.799	0.742	-18.343	279.300	2
27	408	3.994	0.742	-19.371	278.400	4
27	409	4.176	0.814	-20.167	277.500	4
27	410	4.287	0.777	-21.061	276.700	3
27	412	4.574	0.719	-23.131	274.800	2
27	413	4.655	0.684	-23.825	273.800	2
27	414	4.718	0.606	-24.674	271.500	2
27	415	4.851	0.606	-25.473	269.300	2
27	416	5.061	0.664	-26.385	268.000	3
27	417	5.258	0.716	-27.256	267.800	3
27	418	5.469	0.794	-28.051	268.200	2
27	419	5.579	0.788	-28.744	268.400	2
27	420	5.730	0.803	-29.565	268.000	2
27	421	5.726	0.782	-29.663	268.800	1
27	422	5.734	0.724	-30.057	268.900	2
27	423	5.774	0.707	-30.401	269.000	2
27	424	5.845	0.704	-30.842	269.200	2
27	425	5.901	0.693	-31.249	269.300	3
27	426	5.995	0.710	-31.712	269.500	2
27	427	6.061	0.716	-32.070	269.600	2
27	428	6.161	0.748	-32.473	269.700	2
27	429	6.218	0.748	-32.823	269.900	4
27	431	6.390	0.782	-33.645	269.200	3

SHOT 15, SHOTPOINT 27  
SHOT 16, SHOTPOINT 26

SHOT POINT	RECORDER LOCATION	TRAVEL TIME (REAL)	TRAVEL TIME (T-X/6)	DISTANCE	AZIMUTH	WEIGHT
27	432	6.471	0.782	-34.133	268.800	4
27	433	6.574	0.811	-34.575	268.500	3
27	434	6.671	0.846	-34.951	268.200	3
27	435	6.730	0.826	-35.425	267.900	2
27	436	6.740	0.782	-35.744	267.600	2
27	437	6.812	0.782	-36.175	267.300	3
27	438	6.876	0.771	-36.630	267.100	3
27	439	6.955	0.791	-36.985	267.000	2
27	440	6.995	0.765	-37.380	267.000	2
27	441	7.067	0.765	-37.812	266.900	2
27	442	7.103	0.739	-38.182	267.000	2
27	443	7.202	0.771	-38.586	267.100	2
27	444	7.410	0.843	-39.403	267.400	3
27	445	7.500	0.861	-39.838	267.800	2
27	446	7.607	0.896	-40.268	267.900	2
27	447	7.698	0.906	-40.755	267.600	2
27	448	7.770	0.852	-41.507	268.100	2
27	449	8.093	0.948	-42.873	268.900	3
27	450	8.196	0.941	-43.531	269.300	3
27	451	8.240	0.929	-43.867	269.500	3
27	452	8.270	0.896	-44.246	269.600	3
27	453	8.326	0.883	-44.657	269.700	3
27	454	8.412	0.835	-45.054	269.800	2
27	455	8.459	0.814	-45.462	269.800	2
27	456	8.527	0.817	-46.256	269.800	2
27	457	8.563	0.791	-46.628	269.900	2
27	458	8.614	0.783	-46.987	269.900	2
27	459	8.682	0.783	-47.394	269.900	4
27	460	8.749	0.772	-47.861	269.900	3
27	461	8.802	0.758	-48.263	269.900	3
27	462	8.839	0.729	-48.663	269.900	3
27	463	8.890	0.711	-49.070	270.000	3
27	464	8.935	0.692	-49.460	270.000	3
27	465	8.969	0.659	-49.859	270.000	4
27	466	9.089	0.706	-50.295	270.000	4
27	467	9.149	0.697	-50.712	270.000	3
27	468	9.220	0.697	-51.136	270.000	3
27	469	9.314	0.725	-51.533	270.100	3
27	470	9.422	0.763	-51.950	270.100	3
27	471	9.484	0.765	-52.313	270.100	3
27	472	9.537	0.748	-52.736	270.300	3
27	473	9.620	0.760	-53.159	270.500	3
27	474	9.664	0.739	-53.550	270.600	3
27	475	9.708	0.711	-53.978	270.700	3
27	476	9.765	0.697	-54.409	270.900	3
27	477	9.820	0.699	-54.726	271.000	3
27	478	10.038	0.840	-55.190	271.200	4
27	479	10.257	0.868	-56.334	271.400	4
27	480	10.350	0.868	-56.895	271.400	4
27	481	10.368	0.817	-57.302	271.400	4
27	482	10.435	0.816	-57.715	271.400	4

SHOT 15, SHOTPOINT 27

SHOT POINT	RECORDER LOCATION	TRAVEL TIME (REAL)	TRAVEL TIME (T-X/6)	DISTANCE	AZIMUTH	WEIGHT
27	489	10.472	0.786	-58.118	271.400	4
27	490	10.536	0.783	-58.520	271.400	4
27	491	10.603	0.783	-58.924	271.400	4
27	492	10.670	0.783	-59.323	271.300	4
27	493	10.774	0.821	-59.717	271.300	4
27	494	10.841	0.821	-60.124	271.300	4
27	495	10.919	0.833	-60.518	271.300	4
27	496	10.908	0.753	-60.930	271.300	4
27	497	10.972	0.751	-61.325	271.300	4
27	498	11.071	0.783	-61.732	271.300	4
27	499	11.112	0.753	-62.143	271.300	4
27	500	11.153	0.732	-62.528	271.300	4
27	501	11.266	0.777	-62.934	271.300	4
27	502	11.275	0.723	-63.311	271.200	4
27	503	11.430	0.800	-63.779	271.200	4
27	504	11.485	0.800	-64.110	271.200	3
27	505	11.519	0.765	-64.523	271.200	3
27	506	11.725	0.904	-64.922	271.200	4
27	507	11.748	0.793	-65.729	271.200	4
27	508	12.014	0.793	-67.328	271.200	4
27	509	12.097	0.810	-67.722	271.100	4
27	510	12.155	0.802	-68.121	271.100	4
27	511	12.238	0.812	-68.554	271.200	4
27	512	12.256	0.762	-68.965	271.100	4
27	513	12.250	0.687	-69.377	271.100	4
27	514	12.281	0.654	-69.764	271.100	4
27	515	12.376	0.680	-70.176	272.500	4
26	27	3.122	0.903	13.314	100.300	3
26	29	11.669	0.936	-64.395	269.900	4
26	402	0.409	0.275	0.804	304.400	3
26	403	0.586	0.313	-1.639	297.200	2
26	405	0.979	0.396	-3.499	288.000	4
26	406	1.236	0.526	-4.262	282.300	1
26	407	1.335	0.436	-5.035	276.700	3
26	408	1.543	0.530	-6.078	274.400	3
26	409	1.685	0.533	-6.897	272.200	4
26	410	1.836	0.533	-7.818	270.500	2
26	412	2.220	0.560	-9.958	267.400	2
26	413	2.362	0.579	-10.659	265.800	2
26	414	2.512	0.564	-11.689	261.500	2
26	415	2.696	0.590	-12.636	258.200	3
26	416	2.900	0.622	-13.669	256.000	2
26	417	3.071	0.648	-14.536	256.500	3
26	418	3.222	0.675	-15.284	257.700	4
26	419	3.263	0.605	-15.948	258.500	4
26	420	3.452	0.654	-16.790	258.300	4
26	422	3.536	0.669	-17.201	260.100	4
26	423	3.591	0.669	-17.530	260.500	4
26	424	3.639	0.646	-17.955	261.000	4
26	425	3.693	0.635	-18.348	261.900	3
26	426	3.802	0.663	-18.795	261.900	3

SHOT 16, SHOTPOINT 26  
SHOT 17, SHOTPOINT 21

SHOT POINT	RECORDER LOCATION	TRAVEL TIME (REAL)	TRAVEL TIME (T-X/6)	DISTANCE	AZIMUTH	WEIGHT
26	427	3.859	0.669	-19.140	262.200	3
26	428	3.964	0.707	-19.542	262.500	3
26	429	4.004	0.692	-19.872	262.900	4
26	431	4.248	0.793	-20.730	262.200	2
26	433	4.439	0.822	-21.707	261.300	3
26	434	4.494	0.810	-22.103	261.000	3
26	435	4.590	0.824	-22.599	260.600	3
26	436	4.633	0.810	-22.935	260.300	3
26	437	4.653	0.756	-23.385	260.000	3
26	438	4.732	0.756	-23.858	259.700	3
26	439	4.806	0.771	-24.214	259.800	4
26	440	4.897	0.795	-24.609	259.800	4
26	441	4.916	0.743	-25.042	259.900	4
26	442	4.908	0.675	-25.402	260.100	4
26	443	4.989	0.690	-25.796	260.300	4
26	445	5.233	0.803	-26.581	261.000	4
26	446	5.331	0.833	-26.986	261.700	4
26	447	5.447	0.873	-27.448	261.100	4
26	448	5.525	0.873	-27.913	261.600	4
26	449	5.608	0.837	-28.628	262.400	4
26	452	5.936	0.948	-29.929	263.900	3
26	454	6.041	0.948	-30.559	264.600	3
26	455	6.060	0.912	-30.885	264.800	3
26	456	6.136	0.927	-31.256	265.000	3
26	457	6.204	0.927	-31.658	265.300	4
26	458	6.253	0.912	-32.048	265.500	4
26	459	6.302	0.893	-32.452	265.600	4
26	460	6.354	0.876	-32.868	265.500	4
26	461	6.351	0.810	-33.246	265.600	3
26	462	6.377	0.775	-33.614	265.700	4
26	463	6.436	0.775	-33.970	265.800	4
26	464	6.504	0.775	-34.376	265.900	4
26	465	6.570	0.763	-34.841	266.000	3
26	466	6.667	0.793	-35.241	266.000	2
26	467	6.750	0.810	-35.639	266.100	3
26	468	6.790	0.782	-36.045	266.100	3
26	469	6.854	0.782	-36.432	266.200	4
26	470	6.847	0.709	-36.831	266.300	4
26	471	6.906	0.695	-37.263	266.400	4
26	472	7.003	0.724	-37.677	266.400	3
26	473	7.093	0.743	-38.100	266.500	4
26	474	7.159	0.743	-38.496	266.500	4
26	475	7.303	0.818	-38.911	266.600	3
26	476	7.364	0.818	-39.274	266.600	4
26	477	7.417	0.803	-39.683	267.000	4
26	478	7.506	0.824	-40.097	267.200	4
26	479	7.551	0.805	-40.481	267.400	4
26	480	7.644	0.827	-40.902	267.600	4
26	481	7.715	0.827	-41.324	267.900	4
26	482	7.766	0.827	-41.634	268.100	4
26	483	7.895	0.840	-42.089	268.300	4
26	485	8.044	0.840	-43.221	268.700	4

SHOT 16, SHOTPOINT 26

SHOT POINT	RECORDER LOCATION	TRAVEL TIME (REAL)	TRAVEL TIME (T-X/6)	DISTANCE	AZIMUTH	WEIGHT
26	486	8.138	0.840	-43.782	268.700	4
26	487	8.205	0.840	-44.189	268.700	4
26	488	8.274	0.840	-44.603	268.700	4
26	489	8.341	0.840	-45.005	268.700	4
26	490	8.408	0.840	-45.408	268.800	4
26	491	8.479	0.844	-45.811	268.800	4
26	492	8.536	0.835	-46.209	268.800	4
26	493	8.602	0.835	-46.604	268.800	4
26	494	8.653	0.820	-47.011	268.800	4
26	495	8.734	0.833	-47.405	268.800	4
26	496	8.800	0.831	-47.816	268.800	4
26	497	8.868	0.833	-48.213	268.800	4
26	498	8.936	0.833	-48.619	268.800	4
26	499	9.033	0.861	-49.030	268.800	4
26	500	9.096	0.750	-49.415	268.900	4
26	501	9.033	0.729	-49.821	268.900	4
26	502	9.152	0.786	-50.199	268.800	4
26	503	9.282	0.837	-50.669	268.800	4
26	504	9.338	0.839	-50.959	268.800	4
26	505	9.464	0.829	-51.811	268.900	4
26	507	9.531	0.829	-52.210	268.900	4
26	508	9.599	0.829	-52.617	268.900	4
26	510	9.717	0.818	-53.396	268.900	4
26	511	9.787	0.816	-53.828	268.900	4
26	512	9.852	0.816	-54.215	268.900	4
26	513	9.918	0.816	-54.610	268.900	4
26	514	9.984	0.816	-55.008	268.900	4
26	515	10.121	0.882	-55.437	269.000	4
26	516	10.164	0.856	-55.852	269.000	4
26	517	10.233	0.856	-56.264	269.000	4
26	518	10.282	0.840	-56.651	269.000	4
26	519	10.315	0.814	-57.006	270.700	4

SHOT POINT	RECORDER LOCATION	TRAVEL TIME (REAL)	TRAVEL TIME (T-X/6)	DISTANCE	AZIMUTH	WEIGHT	SHOT POINT	RECORDER LOCATION	TRAVEL TIME (REAL)	TRAVEL TIME (T-X/6)	DISTANCE	AZIMUTH	WEIGHT
21	422	6.416	0.801	33.686	93.300	3	21	479	2.587	0.893	10.163	94.600	2
21	423	6.380	0.824	33.338	93.200	3	21	480	2.508	0.887	9.729	94.000	2
21	424	6.289	0.807	32.891	93.100	3	21	481	2.476	0.927	8.291	93.200	2
21	425	6.237	0.824	32.480	93.100	3	21	482	2.430	0.935	8.970	92.600	2
21	426	6.092	0.757	32.012	92.900	3	21	483	2.360	0.943	8.503	91.500	2
21	427	6.077	0.801	31.651	92.900	3	21	485	2.158	0.931	7.360	89.900	2
21	428	6.028	0.822	31.240	92.800	4	21	486	2.034	0.901	6.799	89.800	3
21	429	5.970	0.822	30.891	92.700	4	21	487	1.948	0.883	6.392	89.800	1
21	431	5.838	0.822	30.095	93.500	4	21	488	1.871	0.874	5.978	89.900	1
21	432	5.780	0.842	29.629	94.000	4	21	489	1.771	0.842	5.575	89.800	1
21	433	5.775	0.907	29.209	94.500	4	21	490	1.682	0.820	5.173	89.800	1
21	434	5.787	0.978	28.855	94.900	4	21	491	1.596	0.801	4.769	89.700	2
21	435	5.713	0.978	28.413	95.400	3	21	492	1.495	0.767	4.371	89.700	1
21	436	5.660	0.974	28.117	95.800	3	21	493	1.375	0.712	3.976	89.700	1
21	437	5.606	0.986	27.720	96.300	3	21	494	1.258	0.663	3.569	89.700	1
21	438	5.491	0.941	27.299	96.800	3	21	495	1.178	0.649	3.175	90.000	2
21	439	5.475	0.982	26.956	97.000	3	21	496	1.077	0.617	2.763	89.500	2
21	440	5.370	0.941	26.572	97.200	3	21	497	0.946	0.552	2.367	89.800	2
21	441	5.278	0.919	26.152	97.500	3	21	498	0.868	0.542	1.961	89.500	2
21	442	5.303	1.006	25.778	97.500	3	21	499	0.814	0.406	1.565	89.300	0
21	443	5.271	1.043	25.369	97.500	3	21	500	0.600	0.356	1.165	89.200	2
21	445	5.114	1.027	24.524	97.300	2	21	501	0.435	0.308	0.759	88.800	3
21	446	5.058	1.049	24.034	96.900	3	21	502	0.258	0.195	0.362	93.700	1
21	447	5.005	1.057	23.686	97.900	3	21	503	0.106	0.089	-0.104	238.200	0
21	448	4.911	1.049	23.174	97.600	3	21	505	0.471	0.333	-0.831	268.500	2
21	449	4.719	0.990	22.376	97.100	3	21	506	0.633	0.428	-1.232	268.500	3
21	452	4.457	0.968	20.933	96.000	3	21	507	0.736	0.465	-1.631	268.900	3
21	454	4.334	0.960	20.243	95.400	3	21	508	0.995	0.655	-2.038	269.100	3
21	455	4.284	0.968	19.897	95.100	3	21	511	1.272	0.730	-3.249	269.600	4
21	456	4.209	0.958	19.510	95.000	3	21	512	1.369	0.763	-3.636	270.000	4
21	457	4.030	0.848	19.094	94.800	3	21	513	1.392	0.720	-4.031	269.700	4
21	458	3.943	0.828	18.691	94.700	3	21	514	1.479	0.740	-4.429	269.900	4
21	459	3.895	0.848	18.281	94.700	3	21	515	1.551	0.740	-4.862	271.200	4
21	460	3.871	0.891	17.880	95.100	3	21	516	1.546	0.667	-5.274	269.900	2
21	461	3.837	0.921	17.494	95.000	3	21	517	1.534	0.586	-5.686	269.800	2
21	462	3.766	0.913	17.118	95.000	3	21	518	1.536	0.544	-6.073	270.000	2
21	463	3.718	0.925	16.757	95.000	3	21	519	1.621	0.511	-6.657	284.700	3
21	464	3.650	0.925	16.352	95.100	4							
21	465	3.622	0.974	15.886	95.200	3							
21	466	3.618	1.037	15.485	95.300	3							
21	467	3.506	0.992	15.086	95.400	3	22	27	9.111	0.800	49.864	90.000	4
21	468	3.435	0.988	14.680	95.500	2	22	29	5.422	0.800	-27.734	274.600	3
21	469	3.331	0.949	14.289	95.600	2	22	402	6.944	0.910	36.204	85.500	4
21	470	3.226	0.911	13.892	95.800	2	22	403	6.816	0.910	35.435	84.900	4
21	471	3.222	0.980	13.454	95.700	2	22	405	6.322	0.722	33.604	84.100	4
21	472	3.112	0.939	13.038	95.900	2	22	406	6.181	0.722	32.755	84.200	4
21	473	3.070	0.968	12.616	96.100	2	22	407	6.005	0.690	31.893	84.700	4
21	474	3.049	1.012	12.219	96.200	2	22	409	5.605	0.713	30.827	84.900	4
21	475	2.941	0.974	11.804	96.400	2	22	410	5.449	0.609	29.942	85.200	4
21	476	2.881	0.974	11.444	96.600	2	22	412	4.987	0.507	26.878	85.900	4
21	477	2.782	0.949	10.997	95.600	2	22	413	4.827	0.571	26.136	86.500	4
21	478	2.684	0.923	10.563	95.000	2	22	414	4.751	0.551	25.205	88.500	3
21							22	415	4.712	0.646	24.393	90.500	4

SHOT 18, SHOTPOINT 22  
 SHOT 19, SHOTPOINT 24

SHOT 18, SHOTPOINT 22

SHOT POINT	RECORDER LOCATION	TRAVEL TIME (REAL)	TRAVEL TIME (T-X/6)	DISTANCE	AZIMUTH	WEIGHT	SHOT POINT	RECORDER LOCATION	TRAVEL TIME (REAL)	TRAVEL TIME (T-X/6)	DISTANCE	AZIMUTH	WEIGHT
22	416	4.505	0.585	23.517	92.300	4	22	473	0.934	0.122	-1.272	271.800	0
22	417	4.303	0.527	22.654	92.600	4	22	474	0.478	0.200	-1.670	271.900	0
22	418	4.296	0.655	21.848	92.300	3	22	475	0.614	0.267	-2.087	271.800	0
22	419	4.174	0.649	21.148	92.200	3	22	476	0.730	0.322	-2.450	271.400	0
22	420	4.040	0.649	20.346	92.900	4	22	477	0.823	0.342	-2.888	275.900	1
22	421	4.036	0.667	20.220	91.800	4	22	478	0.919	0.365	-3.325	277.800	2
22	422	3.982	0.678	19.822	91.600	3	22	479	1.021	0.400	-3.727	278.700	2
22	423	3.988	0.742	19.476	91.500	3	22	480	1.069	0.374	-4.170	279.600	1
22	424	3.914	0.742	19.031	91.300	4	22	481	1.199	0.429	-4.619	280.600	2
22	425	3.845	0.742	18.622	91.100	4	22	482	1.344	0.519	-4.951	281.300	2
22	426	3.655	0.629	18.156	90.900	4	22	483	1.486	0.580	-5.441	282.200	2
22	427	3.618	0.652	17.797	90.700	3	22	485	1.874	0.774	-6.603	282.100	2
22	428	3.622	0.724	17.387	90.600	4	22	486	2.047	0.855	-7.155	281.200	2
22	429	3.614	0.774	17.041	90.300	4	22	487	2.129	0.869	-7.555	280.600	2
22	431	3.406	0.701	16.230	91.600	3	22	488	2.228	0.901	-7.960	280.000	3
22	432	3.327	0.701	15.755	92.500	4	22	489	2.294	0.901	-8.359	279.600	2
22	433	3.285	0.730	15.330	93.400	4	22	490	2.372	0.913	-8.755	279.100	3
22	434	3.232	0.736	14.973	94.200	3	22	491	2.439	0.913	-9.154	278.800	3
22	435	3.236	0.814	14.528	95.200	3	22	492	2.478	0.887	-9.549	278.400	3
22	436	3.152	0.780	14.232	96.000	3	22	493	2.566	0.910	-9.939	278.100	3
22	437	3.115	0.809	13.837	97.000	3	22	494	2.573	0.849	-10.341	277.700	3
22	438	2.990	0.753	13.420	98.000	3	22	495	2.635	0.846	-10.730	277.400	3
22	439	2.953	0.774	13.078	98.500	3	22	496	2.694	0.838	-11.142	277.200	3
22	440	2.820	0.704	12.698	99.000	3	22	497	2.760	0.838	-11.533	276.900	3
22	441	2.780	0.733	12.281	99.500	3	22	498	2.844	0.855	-11.937	276.700	3
22	442	2.686	0.701	11.907	99.600	3	22	499	2.930	0.872	-12.346	276.500	4
22	443	2.635	0.719	11.500	99.800	3	22	500	3.008	0.887	-12.728	276.300	3
22	445	2.471	0.696	10.652	99.500	3	22	501	3.125	0.936	-13.132	276.100	3
22	446	2.432	0.736	10.176	98.700	4	22	502	3.187	0.936	-13.504	275.700	3
22	447	2.292	0.655	9.825	101.000	3	22	503	3.250	0.922	-13.968	275.400	3
22	448	2.186	0.635	9.308	100.600	3	22	505	3.420	0.968	-14.710	275.300	4
22	449	2.113	0.696	8.502	99.500	3	22	506	3.434	0.916	-15.108	275.100	4
22	452	1.717	0.542	7.049	96.600	2	22	507	3.500	0.916	-15.506	275.000	4
22	454	1.654	0.594	6.359	94.700	3	22	508	3.568	0.916	-15.912	274.800	4
22	455	1.623	0.620	6.014	93.900	2	22	510	3.695	0.913	-16.690	274.700	4
22	456	1.518	0.580	5.629	93.300	2	22	511	3.650	0.797	-17.120	274.500	4
22	457	1.449	0.580	5.214	92.600	1	22	512	3.715	0.797	-17.507	274.500	4
22	458	1.376	0.574	4.814	91.900	1	22	513	3.780	0.797	-17.899	274.300	4
22	459	1.282	0.548	4.405	91.600	1	22	514	3.847	0.797	-18.298	274.300	4
22	460	1.153	0.487	3.998	93.000	1	22	515	3.920	0.797	-18.736	274.500	4
22	461	1.075	0.472	3.613	92.600	1	22	516	3.987	0.797	-19.140	274.100	4
22	462	0.998	0.458	3.238	92.000	1	22	517	4.055	0.797	-19.550	274.000	4
22	463	0.938	0.458	2.878	91.600	1	22	518	4.163	0.840	-19.937	273.900	4
22	464	0.803	0.391	2.472	92.000	4	22	519	4.281	0.867	-20.485	278.600	3
22	465	0.685	0.351	2.004	92.200	4	22	27	6.921	0.817	36.625	87.100	4
22	466	0.600	0.333	1.603	92.200	4	24	29	7.657	0.800	-41.141	275.700	4
22	467	0.423	0.223	1.202	92.400	0	24	402	4.669	0.788	23.285	78.400	4
22	468	0.283	0.151	0.795	93.100	0	24	403	4.550	0.788	22.563	77.200	4
22	469	0.128	0.061	0.405	92.900	1	24	405	4.205	0.733	20.830	75.200	4
22	470	0.015	0.011	0.022	167.500	0	24	406	4.077	0.748	19.978	75.100	3
22	471	0.165	0.093	-0.432	273.300	0	24	407	3.929	0.748	19.088	75.400	4
22	472	0.246	0.104	-0.849	272.800	0	24						

SHOT 19, SHOTPOINT 24

SHOT 19, SHOTPOINT 24

SHOT POINT	RECORDER LOCATION	TRAVEL TIME (REAL)	TRAVEL TIME (T-X/6)	DISTANCE	AZIMUTH	WEIGHT
24	408	3.710	0.704	18.032	74.900	4
24	409	3.567	0.704	17.178	74.800	4
24	410	3.337	0.632	16.233	74.600	3
24	412	2.891	0.551	14.042	74.400	2
24	413	2.769	0.539	13.256	74.900	2
24	414	2.599	0.571	12.172	78.100	3
24	415	2.523	0.652	11.225	81.500	2
24	416	2.349	0.640	10.251	84.800	1
24	417	2.096	0.533	9.378	84.900	3
24	418	2.096	0.664	8.595	83.500	2
24	419	2.001	0.682	7.915	82.300	1
24	420	1.827	0.647	7.079	83.200	2
24	421	1.782	0.610	7.027	80.000	2
24	422	1.660	0.552	6.651	78.800	2
24	423	1.614	0.560	6.326	77.700	2
24	424	1.516	0.531	5.913	76.000	2
24	425	1.466	0.544	5.535	74.300	2
24	426	1.341	0.489	5.114	72.000	1
24	427	1.287	0.487	4.798	69.900	4
24	428	1.197	0.459	4.428	67.700	4
24	429	1.166	0.475	4.150	64.700	4
24	431	0.907	0.365	3.254	64.400	4
24	432	0.817	0.365	2.710	64.700	4
24	433	0.672	0.301	2.229	64.600	3
24	434	0.516	0.186	1.811	65.100	4
24	435	0.401	0.135	1.292	65.600	1
24	436	0.312	0.155	0.942	66.400	0
24	437	0.181	0.103	0.474	68.900	0
24	438	0.033	0.029	0.020	191.600	0
24	439	0.132	0.071	-0.363	258.900	0
24	440	0.273	0.146	-0.759	260.800	0
24	441	0.418	0.219	-1.192	261.700	0
24	442	0.426	0.167	-1.558	265.100	0
24	443	0.567	0.240	-1.961	267.200	0
24	445	0.908	0.443	-2.788	272.000	1
24	446	1.016	0.475	-3.248	275.800	1
24	447	1.121	0.513	-3.647	269.800	1
24	448	1.259	0.569	-4.145	272.000	1
24	449	1.416	0.595	-4.928	275.200	2
24	452	1.830	0.767	-6.376	279.400	2
24	454	1.968	0.788	-7.081	279.900	2
24	455	2.093	0.854	-7.433	281.200	2
24	456	2.146	0.842	-7.824	281.300	2
24	457	2.245	0.871	-8.243	281.300	3
24	458	2.243	0.802	-8.648	281.300	3
24	459	2.367	0.857	-9.056	281.000	3
24	460	2.377	0.803	-9.444	280.000	3
24	461	2.459	0.821	-9.829	279.900	3
24	462	2.593	0.892	-10.205	279.800	3
24	463	2.582	0.821	-10.565	279.700	2
24	464	2.659	0.831	-10.966	279.300	2
24	465	2.762	0.857	-11.428	279.000	3
24	466	2.829	0.857	-11.827	278.700	3
24	467	2.902	0.864	-12.225	278.500	3
24	468	3.016	0.847	-13.018	278.100	3
24	470	3.046	0.810	-13.413	277.900	3
24	471	3.164	0.856	-13.851	277.800	3
24	472	3.284	0.836	-14.266	277.600	3
24	473	3.413	0.899	-15.083	277.300	3
24	474	3.595	1.012	-15.497	277.100	3
24	475	3.629	0.986	-15.857	276.900	3
24	476	3.624	0.906	-16.307	277.600	4
24	477	3.697	0.906	-16.746	277.900	4
24	478	3.764	0.906	-17.147	278.100	4
24	479	3.869	0.937	-17.589	278.300	4
24	480	3.931	0.925	-18.036	278.600	4
24	481	4.067	0.925	-18.366	278.800	4
24	482	4.459	1.124	-20.012	279.200	4
24	483	4.560	1.133	-20.568	279.100	3
24	484	4.662	1.167	-20.970	278.900	3
24	485	4.693	1.130	-21.378	278.700	3
24	486	4.760	1.130	-21.777	278.600	3
24	487	4.839	1.143	-22.174	278.400	3
24	488	4.891	1.128	-22.574	278.300	4
24	489	4.943	1.115	-22.969	278.100	3
24	490	5.006	1.113	-23.360	278.000	4
24	491	5.069	1.109	-23.762	277.800	4
24	492	5.134	1.109	-24.151	277.700	4
24	493	5.202	1.109	-24.562	277.600	4
24	494	5.265	1.106	-24.953	277.500	4
24	495	5.280	1.054	-25.357	277.400	4
24	496	5.361	1.067	-25.765	277.200	4
24	497	5.423	1.065	-26.146	277.100	3
24	498	5.447	1.022	-26.550	277.000	4
24	499	5.508	1.022	-26.920	276.800	4
24	500	5.616	1.052	-27.382	276.700	4
24	501	5.752	1.065	-28.124	276.500	4
24	502	5.819	1.065	-28.520	276.400	4
24	503	5.885	1.065	-28.918	276.300	4
24	504	6.077	1.065	-29.322	276.200	4
24	505	6.149	1.061	-30.100	276.100	4
24	506	6.213	1.061	-30.528	276.000	4
24	507	6.278	1.061	-30.915	276.000	4
24	508	6.345	1.061	-31.306	275.900	4
24	509	6.418	1.061	-31.704	275.800	4
24	510	6.485	1.061	-32.144	275.700	4
24	511	6.518	1.026	-32.544	275.600	4
24	512	6.518	1.026	-32.953	275.500	4
24	513	6.518	1.026	-33.340	275.400	4
24	514	6.518	1.026	-33.740	275.300	4
24	515	6.518	1.026	-34.140	275.200	3
24	516	6.518	1.026	-34.540	275.100	3
24	517	6.518	1.026	-34.940	275.000	3
24	518	6.518	1.026	-35.340	274.900	3
24	519	6.518	1.026	-35.740	274.800	3

SHOT 20, SHOTPOINT 29

SHOT 20, SHOTPOINT 29

SHOT POINT	RECORDER LOCATION	TRAVEL TIME (REAL)	TRAVEL TIME (T-X/6)	DISTANCE	AZIMUTH	WEIGHT
29	27	13.705	0.782	77.535	91.600	4
29	29	0.043	0.043	0.000	180.000	0
29	402	11.483	0.861	63.733	89.400	4
29	403	11.351	0.861	62.940	89.200	4
29	405	11.040	0.861	61.074	88.800	4
29	406	10.900	0.861	60.236	89.000	4
29	407	10.453	0.553	59.396	89.300	4
29	408	10.595	0.872	58.336	89.400	4
29	409	10.500	0.916	57.503	89.600	4
29	410	10.342	0.913	56.577	89.800	4
29	412	9.898	0.823	54.449	90.300	4
29	413	9.868	0.913	53.731	90.700	4
29	414	9.607	0.797	52.861	91.700	4
29	416	9.337	0.797	51.239	93.500	4
29	417	9.194	0.797	50.379	93.700	4
29	418	8.839	0.577	49.571	93.600	4
29	419	8.661	0.516	48.870	93.500	4
29	420	8.528	0.516	48.074	93.900	4
29	421	8.506	0.516	47.939	93.400	4
29	422	8.523	0.600	47.540	93.400	4
29	423	8.483	0.617	47.192	93.300	4
29	424	8.280	0.490	46.744	93.200	4
29	425	8.198	0.475	46.334	93.200	4
29	426	8.070	0.426	45.865	93.100	4
29	427	8.013	0.429	45.504	93.100	4
29	428	8.057	0.542	45.093	93.000	4
29	429	8.251	0.794	44.744	92.900	4
29	431	7.957	0.632	43.949	93.500	4
29	432	7.879	0.632	43.483	93.800	4
29	433	7.759	0.582	43.062	94.100	4
29	434	7.703	0.585	42.707	94.400	3
29	435	7.774	0.730	42.263	94.800	3
29	436	7.658	0.664	41.964	95.100	3
29	437	7.652	0.724	41.564	95.400	3
29	438	7.552	0.696	41.139	95.700	3
29	439	7.567	0.768	40.793	95.800	3
29	440	7.381	0.646	40.408	96.000	3
29	441	7.264	0.600	39.986	96.100	4
29	442	7.202	0.600	39.611	96.100	3
29	443	7.281	0.748	39.203	96.100	4
29	445	7.141	0.748	38.360	95.900	3
29	446	7.130	0.814	37.893	95.700	4
29	447	7.032	0.780	37.516	96.300	4
29	448	6.886	0.719	37.006	96.100	4
29	449	6.809	0.774	36.214	95.700	4
29	452	6.570	0.774	34.780	95.000	3
29	454	6.427	0.745	34.093	94.600	3
29	455	6.445	0.820	33.748	94.500	3
29	456	6.337	0.777	33.362	94.400	3
29	457	6.172	0.681	32.946	94.300	3
29	458	6.105	0.681	32.544	94.200	4
29	459	6.054	0.698	32.134	94.200	4

TRAVEL TIME (REAL)	TRAVEL TIME (T-X/6)	DISTANCE	AZIMUTH	WEIGHT	RECORDER LOCATION	SHOT POINT
6.083	0.794	31.731	94.400	3	460	29
5.891	0.667	31.346	94.400	4	461	29
5.843	0.681	30.570	94.300	4	462	29
5.898	0.797	30.609	94.300	4	463	29
5.831	0.797	30.203	94.400	4	464	29
5.753	0.797	29.737	94.400	2	465	29
5.799	0.910	29.336	94.300	2	466	29
5.640	0.817	28.936	94.500	3	467	29
5.555	0.800	28.530	94.500	3	468	29
5.551	0.861	28.139	94.600	3	469	29
5.296	0.672	27.741	94.600	3	470	29
5.397	0.846	27.303	94.600	3	471	29
5.310	0.829	26.886	94.600	3	472	29
5.193	0.782	26.464	94.700	2	473	29
5.127	0.782	26.067	94.800	3	474	29
5.063	0.788	25.651	94.800	3	475	29
5.081	0.867	25.289	94.900	4	476	29
5.141	1.000	24.848	94.400	3	477	29
4.985	0.916	24.415	94.100	4	478	29
4.919	0.916	24.018	93.900	4	479	29
4.765	0.835	23.583	93.700	4	480	29
4.81	0.991	23.145	93.400	4	481	29
4.752	0.948	22.823	93.100	4	482	29
4.670	0.945	22.353	92.700	4	483	29
4.546	1.011	21.204	92.300	4	485	29
4.487	1.046	20.643	92.300	4	486	29
4.318	0.945	20.236	92.300	3	487	29
4.078	0.774	19.823	92.400	4	488	29
4.008	0.771	19.421	92.400	2	489	29
3.926	0.756	19.019	92.500	2	490	29
3.842	0.739	18.616	92.500	2	491	29
3.746	0.710	18.217	92.600	3	492	29
3.637	0.667	17.823	92.600	3	493	29
3.569	0.667	17.417	92.700	3	494	29
3.455	0.617	17.024	92.800	3	495	29
3.386	0.617	16.612	92.800	3	496	29
3.306	0.603	16.217	92.900	3	497	29
3.238	0.600	15.811	93.000	4	498	29
3.167	0.600	15.400	93.100	4	499	29
3.082	0.580	15.016	93.200	4	500	29
3.157	0.722	14.610	93.200	3	501	29
3.036	0.664	14.236	93.500	3	502	29
2.944	0.649	13.770	93.700	2	503	29
2.817	0.646	13.026	93.800	3	505	29
2.716	0.611	12.628	94.000	3	506	29
2.696	0.658	12.228	94.100	2	507	29
2.562	0.591	11.823	94.200	3	508	29
2.421	0.652	10.615	94.700	3	511	29
2.409	0.704	10.227	94.700	2	512	29
2.326	0.687	9.836	95.000	2	513	29
2.260	0.687	9.437	95.200	2	514	29
2.166	0.667	8.998	94.700	2	515	29



SHOT 21, SHOTPOINT 19  
SHOT 22, SHOTPOINT 11

SHOT POINT	RECORDER LOCATION	TRAVEL TIME (REAL)	TRAVEL TIME (T-X/6)	DISTANCE	AZIMUTH	WEIGHT	SHOT POINT	RECORDER LOCATION	TRAVEL TIME (REAL)	TRAVEL TIME (T-X/6)	DISTANCE	AZIMUTH	WEIGHT	
29	516	2.009	0.577	8.597	95.700	2	19	332	5.095	0.913	25.091	142.100	3	
29	517	1.962	0.597	8.188	96.000	2	19	333	5.023	0.904	24.710	141.500	2	
29	518	1.845	0.545	7.802	96.200	2	19	334	5.000	0.936	24.382	141.300	3	
29	519	1.880	0.640	7.438	83.400	1	19	335	4.942	0.927	24.090	140.900	3	
19	8	8.735	0.887	47.091	167.100	4	19	336	4.884	0.919	23.793	140.300	3	
19	9	10.114	0.965	54.894	167.100	4	19	338	4.792	0.936	23.133	138.600	3	
19	13	4.573	1.020	21.317	135.200	2	19	339	4.743	0.942	22.807	138.000	3	
19	183	4.219	0.980	19.435	130.900	3	19	340	4.747	0.997	22.498	137.300	3	
19	281	7.688	0.853	40.997	162.900	4	19	341	4.687	0.988	22.192	136.600	3	
19	283	7.535	0.838	40.186	162.400	4	19	342	4.666	1.017	21.892	135.900	2	
19	284	7.741	1.093	39.888	162.200	4	19	343	4.599	0.997	21.613	135.200	2	
19	287	7.430	0.974	38.739	161.500	4	19	344	4.541	0.994	21.284	134.500	3	
19	288	7.336	0.945	38.346	161.300	4	19	345	4.597	1.101	20.971	133.800	2	
19	289	7.279	0.953	37.950	161.200	4	19	346	4.524	1.081	20.655	133.100	1	
19	290	7.194	0.936	37.547	161.100	4	19	347	4.482	1.090	20.357	132.400	1	
19	291	7.141	0.936	37.232	160.700	4	19	348	4.331	0.988	20.037	131.600	2	
19	292	7.127	0.971	36.937	160.300	4	19	349	4.274	0.980	19.769	130.800	2	
19	293	7.195	1.084	36.665	159.800	4	19	350	4.176	0.959	19.298	129.900	2	
19	294	7.248	1.183	36.373	159.400	4	19	352	4.120	1.020	18.602	128.200	2	
19	296	7.185	1.214	35.823	158.400	4	19	353	3.982	0.942	18.242	127.800	3	
19	297	7.139	1.214	35.549	158.000	4	19	354	3.954	0.965	17.935	126.700	2	
19	299	6.962	1.127	35.006	157.000	4	19	355	3.874	0.913	17.766	125.300	3	
19	300	7.130	1.345	34.713	156.500	3	19	357	3.820	0.948	17.234	123.100	3	
19	301	7.108	1.365	34.457	156.000	3	19	359	3.660	0.901	16.550	121.000	3	
19	302	7.019	1.319	34.200	155.500	4	19	360	3.664	0.901	16.577	119.700	4	
19	303	7.068	1.411	33.940	155.000	4	19	361	3.687	0.922	16.595	118.300	4	
19	305	6.817	1.261	33.339	154.300	3	19	362	3.638	0.890	16.610	116.800	3	
19	306	6.780	1.281	32.992	154.000	3	19	363	3.771	0.997	16.643	115.300	3	
19	309	6.629	1.191	32.626	153.600	3	19	365	3.673	0.936	16.423	113.300	3	
19	310	6.480	1.153	31.958	152.800	3	19	366	3.651	0.936	16.287	112.100	3	
19	311	6.462	1.191	31.628	152.400	3	19	368	3.526	0.867	15.956	109.500	2	
19	312	6.594	1.180	32.486	153.400	3	19	369	3.476	0.861	15.690	108.100	3	
19	313	6.358	1.191	30.999	152.800	3	19	370	3.519	0.901	15.704	106.700	3	
19	314	6.293	1.214	30.743	152.200	4	19	371	3.561	0.919	15.853	105.200	2	
19	316	6.150	1.153	30.475	151.600	4	19	373	3.574	0.898	16.032	103.000	3	
19	317	6.119	1.153	29.795	149.900	4	19	374	3.596	0.922	16.044	102.000	3	
19	318	6.088	1.162	29.556	149.300	3	19	375	3.633	0.916	16.304	99.900	4	
19	319	6.083	1.197	29.314	148.700	3	19	376	3.641	0.916	16.349	98.400	4	
19	320	6.064	1.214	29.097	148.100	3	19	377	3.650	0.916	16.408	97.400	4	
19	321	6.019	1.211	28.848	147.400	3	19	378	3.667	0.916	16.507	95.700	4	
19	322	5.959	1.188	28.625	146.700	3	19	380	3.686	0.933	16.516	93.000	4	
19	323	5.660	1.017	27.858	146.900	3	19	381	3.647	0.890	16.542	90.800	3	
19	324	5.568	0.977	27.547	146.400	3	19	382	3.641	0.890	16.503	90.200	4	
19	325	5.542	1.003	27.234	145.900	3	19	386	3.663	0.875	16.725	84.100	3	
19	326	5.455	0.974	26.885	145.300	3	19	387	3.596	0.832	16.584	82.600	3	
19	327	5.386	0.942	26.663	145.000	3	19	388	3.677	0.896	16.687	81.600	4	
19	328	5.349	0.962	26.319	144.400	3	19							
19	329	5.266	0.930	26.013	143.900	3	19							
19	330	5.180	0.896	25.704	143.300	3	19							
19	331	5.160	0.927	25.394	142.700	3	19							
							11	10	3.641	1.113	-15.170	23.600	3	
							11	13	3.340	0.756	15.500	185.500	2	
							11	183	2.894	0.704	13.141	187.800	2	

SHOT 20, SHOTPOINT 29  
SHOT 21, SHOTPOINT 19

SHOT 22, SHOTPOINT 11						SHOT 22, SHOTPOINT 11							
SHOT POINT	RECORDER LOCATION	TRAVEL TIME (REAL)	TRAVEL TIME (T-X/6)	DISTANCE	AZIMUTH	WEIGHT	SHOT POINT	RECORDER LOCATION	TRAVEL TIME (REAL)	TRAVEL TIME (T-X/6)	DISTANCE	AZIMUTH	WEIGHT
11	281	7.224	0.603	39.728	186.400	4	11	340	3.556	0.745	16.867	184.200	2
11	283	7.232	0.756	38.855	186.500	4	11	341	3.472	0.727	16.467	184.300	3
11	284	7.220	0.800	38.519	186.400	4	11	343	3.337	0.724	15.676	184.600	3
11	285	7.078	0.800	37.668	186.500	4	11	344	3.284	0.739	15.273	184.900	3
11	287	6.946	0.733	37.277	186.500	4	11	345	3.186	0.707	14.873	185.200	3
11	288	6.825	0.681	36.866	186.600	4	11	346	3.088	0.675	14.478	185.600	3
11	289	6.814	0.736	36.465	186.700	4	11	347	3.022	0.675	14.081	185.900	3
11	290	6.712	0.701	36.064	186.900	4	11	348	2.957	0.675	13.691	186.200	2
11	291	6.582	0.635	35.684	186.800	4	11	349	2.912	0.636	13.302	186.600	2
11	292	6.516	0.635	35.289	186.500	4	11	350	2.834	0.701	12.795	187.600	2
11	293	6.493	0.672	34.922	186.300	2	11	351	2.756	0.681	12.449	188.200	2
11	294	6.453	0.698	34.531	186.100	2	11	353	2.674	0.730	11.662	190.200	1
11	296	6.432	0.803	33.776	185.700	4	11	354	2.584	0.716	11.211	190.800	1
11	297	6.341	0.774	33.401	185.500	4	11	355	2.516	0.724	10.747	190.900	1
11	299	6.248	0.809	32.636	184.900	4	11	356	2.463	0.739	10.341	190.600	1
11	300	6.269	0.896	32.238	184.700	4	11	357	2.397	0.745	9.911	191.900	1
11	301	6.225	0.913	31.871	184.500	4	11	358	2.270	0.684	9.514	194.400	2
11	302	6.017	0.768	31.495	184.200	4	11	359	2.174	0.638	9.097	194.500	2
11	303	5.955	0.768	31.120	183.900	4	11	360	2.133	0.675	8.747	193.700	1
11	305	5.892	0.823	30.414	183.900	4	11	361	2.049	0.655	8.363	192.900	1
11	306	5.848	0.846	30.010	183.900	4	11	362	1.968	0.640	7.963	192.000	1
11	307	5.630	0.690	29.581	183.800	3	11	363	1.913	0.655	7.551	190.900	1
11	308	5.551	0.684	29.205	183.800	4	11	365	1.658	0.501	6.941	191.600	4
11	309	5.479	0.681	28.788	183.800	4	11	366	1.595	0.501	6.561	192.200	4
11	310	5.385	0.652	28.396	183.800	4	11	367	1.531	0.501	6.176	193.400	4
11	311	5.601	0.698	29.413	183.800	4	11	368	1.434	0.467	5.806	194.300	4
11	312	5.334	0.675	27.953	184.700	3	11	369	1.389	0.487	5.411	196.800	4
11	313	5.319	0.724	27.568	184.500	4	11	370	1.288	0.452	5.015	196.600	4
11	314	5.289	0.759	27.177	184.200	4	11	371	1.178	0.409	4.615	194.800	4
11	316	5.170	0.768	26.413	183.700	4	11	372	1.095	0.380	4.292	195.700	2
11	317	5.122	0.768	26.126	183.400	4	11	373	1.058	0.394	3.986	192.000	2
11	318	4.943	0.652	25.747	183.100	4	11	374	0.979	0.362	3.699	192.100	2
11	319	4.893	0.655	25.367	182.800	4	11	375	0.890	0.371	3.117	187.500	1
11	320	4.833	0.664	25.017	182.500	4	11	376	0.783	0.333	2.700	186.300	1
11	321	4.748	0.646	24.611	182.200	2	11	377	0.647	0.246	2.406	184.700	1
11	322	4.683	0.643	24.240	181.900	3	11	378	0.495	0.171	1.946	181.400	2
11	323	4.573	0.629	23.668	183.100	2	11	379	0.379	0.122	1.541	178.500	1
11	324	4.490	0.611	23.269	183.100	3	11	380	0.302	0.107	1.171	178.900	1
11	325	4.374	0.562	22.873	183.000	2	11	381	0.205	0.116	0.532	172.200	1
11	326	4.265	0.527	22.424	183.000	3	11	382	0.088	0.029	0.354	173.500	0
11	327	4.312	0.617	22.170	183.100	2	11	383	0.027	0.017	-0.056	350.200	0
11	328	4.179	0.556	21.736	183.100	3	11	384	0.174	0.049	-0.750	357.900	0
11	329	4.115	0.559	21.335	183.100	3	11	385	0.235	0.049	-1.112	356.500	0
11	330	4.010	0.620	20.932	183.100	3	11	386	0.343	0.104	-1.435	6.800	0
11	331	3.963	0.588	20.530	183.100	3	11	387	0.422	0.116	-1.838	359.400	1
11	332	3.875	0.609	20.129	183.100	3	11						
11	333	3.849	0.597	19.667	183.200	2	11						
11	334	3.849	0.623	19.356	183.700	2	11						
11	335	3.836	0.664	19.037	183.900	2	11						
11	336	3.789	0.661	18.650	184.000	2	11						
11	338	3.422	0.475	17.683	183.800	2	11						
11	339	3.580	0.701	17.272	184.000	3	11						

SHOT 23, SHOTPOINT 8

TRAVEL TIME (REAL) TRAVEL TIME (T-X/6) DISTANCE AZIMUTH WEIGHT

RECORDER LOCATION SHOT POINT

TRAVEL TIME (REAL) TRAVEL TIME (T-X/6) DISTANCE AZIMUTH WEIGHT

RECORDER LOCATION SHOT POINT

TRAVEL TIME (REAL) TRAVEL TIME (T-X/6) DISTANCE AZIMUTH WEIGHT

RECORDER LOCATION SHOT POINT

TRAVEL TIME (REAL) TRAVEL TIME (T-X/6) DISTANCE AZIMUTH WEIGHT

8	8	0.032	0.032	0.000	180.000	0	336	5.575	0.910	-27.993	9.700	4
8	9	1.953	0.652	7.803	167.400	2	338	5.734	0.907	-28.959	9.600	3
8	10	11.000	0.782	-61.305	11.400	4	339	5.801	0.907	-29.363	9.400	4
8	183	6.595	1.020	-33.446	7.200	3	340	5.969	1.009	-29.763	9.300	3
8	281	1.880	0.730	-6.898	13.100	1	341	6.035	1.009	-30.157	9.100	3
8	283	2.102	0.809	-7.763	12.100	1	342	6.105	1.014	-30.547	9.000	3
8	284	2.217	0.867	-8.100	12.000	1	343	6.168	1.011	-30.940	8.800	3
8	286	2.389	0.898	-8.946	11.400	1	344	6.194	0.971	-31.336	8.600	3
8	287	2.465	0.910	-9.333	11.000	1	345	6.245	0.956	-31.730	8.400	3
8	288	2.533	0.907	-9.740	10.500	1	346	6.324	0.971	-32.120	8.200	3
8	289	2.596	0.948	-10.135	9.900	1	347	6.381	0.962	-32.513	8.100	3
8	290	2.703	0.930	-10.530	9.300	1	348	6.515	1.032	-32.900	7.900	3
8	291	2.749	0.890	-10.913	9.500	1	349	6.611	1.064	-33.287	7.800	3
8	292	2.776	0.890	-11.315	10.100	1	350	6.725	1.093	-33.792	7.300	3
8	293	2.821	0.872	-11.690	10.600	1	351	6.696	1.006	-34.140	7.100	4
8	294	2.873	0.858	-12.090	11.100	1	353	6.711	0.887	-34.943	6.500	4
8	296	2.985	0.840	-12.868	12.000	1	354	6.767	0.867	-35.401	6.300	3
8	297	3.073	0.864	-13.295	12.000	1	355	6.872	0.896	-35.861	6.400	3
8	299	3.211	0.869	-14.052	13.100	2	357	7.058	0.939	-36.713	6.200	2
8	300	3.237	0.826	-14.464	13.400	2	358	7.011	0.817	-37.161	5.600	3
8	301	3.220	0.745	-14.849	13.700	2	359	7.057	0.794	-37.577	5.700	3
8	302	3.396	0.855	-15.244	14.100	4	360	7.230	0.913	-37.905	6.000	3
8	303	3.421	0.814	-15.639	14.300	4	361	7.236	0.858	-38.269	6.200	3
8	305	3.538	0.814	-16.339	14.000	4	362	7.268	0.826	-38.655	6.500	3
8	306	3.740	0.951	-16.739	13.800	3	363	7.257	0.788	-39.053	6.700	3
8	307	3.808	0.948	-17.163	13.600	3	364	7.375	0.788	-39.522	6.900	4
8	309	3.899	0.907	-17.949	13.200	4	365	7.562	0.951	-39.668	6.700	3
8	310	3.964	0.907	-18.339	13.100	3	366	7.533	0.858	-40.052	6.600	3
8	311	3.798	0.910	-17.330	13.500	3	367	7.559	0.817	-40.450	6.500	3
8	312	4.055	0.936	-18.710	11.400	3	368	7.645	0.840	-40.828	6.400	2
8	313	4.121	0.936	-19.108	11.700	3	369	7.717	0.840	-41.257	6.200	2
8	314	4.214	0.962	-19.511	11.900	3	370	7.726	0.785	-41.643	6.300	2
8	316	4.346	0.962	-20.305	12.300	3	371	7.788	0.785	-42.014	6.600	2
8	317	4.408	0.974	-20.604	12.500	3	372	7.851	0.794	-42.344	6.600	3
8	318	4.442	0.942	-21.001	12.700	3	373	7.931	0.829	-42.615	7.000	3
8	319	4.508	0.942	-21.398	12.800	3	374	7.962	0.811	-42.901	7.000	3
8	320	4.587	0.959	-21.766	13.000	3	375	8.030	0.785	-43.470	7.400	4
8	321	4.699	1.000	-22.192	13.200	3	376	8.100	0.785	-43.888	7.500	4
8	322	4.709	0.945	-22.584	13.400	3	377	8.135	0.771	-44.183	7.600	4
8	323	4.776	0.933	-23.055	11.800	3	378	8.190	0.748	-44.652	7.700	4
8	324	4.822	0.913	-23.452	11.700	3	379	8.258	0.748	-45.065	7.700	4
8	325	4.901	0.927	-23.845	11.600	3	380	8.345	0.774	-45.430	7.600	3
8	326	4.938	0.890	-24.291	11.500	3	381	8.388	0.719	-46.073	7.600	3
8	327	5.002	0.913	-24.537	11.300	3	382	8.457	0.745	-46.243	7.500	4
8	328	5.117	0.956	-24.966	11.200	3	383	8.457	0.684	-46.640	7.400	4
8	329	5.242	1.014	-25.364	11.000	3	384	8.609	0.722	-47.326	7.300	4
8	330	5.308	1.014	-25.764	10.900	2	385	8.694	0.748	-47.680	7.200	3
8	331	5.351	0.991	-26.161	10.800	2	386	8.737	0.733	-48.022	7.400	4
8	332	5.461	1.035	-26.559	10.700	3	387	8.775	0.707	-48.408	7.100	4
8	333	5.473	0.971	-27.011	10.500	3	388	8.828	0.707	-48.724	7.100	4
8	334	5.498	0.948	-27.303	10.100	3						
8	335	5.549	0.948	-27.610	9.800	4						

SHOT 24, SHOTPOINT 9				SHOT 24, SHOTPOINT 9										
SHOT POINT	RECORDER LOCATION	TRAVEL TIME (REAL)	TRAVEL TIME (T-X/6)	DISTANCE	AZIMUTH	HEIGHT	SHOT POINT	RECORDER LOCATION	TRAVEL TIME (REAL)	TRAVEL TIME (T-X/6)	DISTANCE	AZIMUTH	HEIGHT	
9	8	2.216	0.916	-7.803	347.400	1	9	336	6.944	1.055	-35.336	4.900	2	
9	9	0.029	0.029	0.000	180.000	0	9	338	7.137	1.087	-36.303	4.900	2	
9	10	12.116	0.638	-68.508	8.700	4	9	339	7.187	1.078	-36.714	4.800	2	
9	13	7.495	1.081	-38.487	4.200	2	9	340	7.264	1.078	-37.118	4.800	2	
9	183	7.913	1.101	-40.871	3.500	2	9	341	7.345	1.093	-37.517	4.700	2	
9	281	3.473	1.084	-14.335	359.400	1	9	342	7.400	1.081	-37.912	4.600	2	
9	283	3.638	1.104	-15.205	359.700	1	9	343	7.466	1.081	-38.309	4.600	2	
9	284	3.734	1.145	-15.537	359.900	1	9	344	7.547	1.096	-38.712	4.400	2	
9	286	3.875	1.145	-16.383	0.200	4	9	345	7.577	1.058	-39.112	4.400	2	
9	287	3.941	1.145	-16.776	0.300	4	9	346	7.646	1.061	-39.509	4.200	2	
9	288	4.010	1.145	-17.190	0.300	4	9	347	7.718	1.067	-39.908	4.100	2	
9	289	4.078	1.145	-17.597	0.100	4	9	348	7.801	1.084	-40.301	4.000	2	
9	290	4.146	1.145	-18.006	360.000	4	9	349	7.898	1.116	-40.693	3.900	2	
9	291	4.208	1.145	-18.377	0.300	4	9	350	7.976	1.107	-41.212	3.600	2	
9	292	4.271	1.145	-18.756	0.900	4	9	351	7.968	1.040	-41.568	3.500	2	
9	293	4.330	1.145	-19.109	1.400	4	9	353	8.060	0.994	-42.394	3.000	2	
9	294	4.294	1.046	-19.489	1.800	4	9	354	8.119	0.977	-42.856	2.900	2	
9	296	4.385	1.014	-20.225	2.700	4	9	355	8.158	0.939	-43.311	2.900	2	
9	297	4.484	1.052	-20.593	3.200	1	9	357	8.263	0.901	-44.171	2.900	2	
9	299	4.651	1.093	-21.350	4.000	1	9	358	8.341	0.901	-44.639	2.500	2	
9	300	4.740	1.116	-21.747	4.300	1	9	359	8.442	0.933	-45.051	2.600	2	
9	301	4.833	1.148	-22.114	4.700	1	9	360	8.506	0.945	-45.369	2.800	2	
9	302	4.853	1.104	-22.491	5.100	2	9	361	8.565	0.945	-45.724	3.100	2	
9	303	4.971	1.159	-22.869	5.400	3	9	362	8.628	0.945	-46.099	3.300	2	
9	305	5.089	1.159	-23.576	5.500	4	9	363	8.684	0.936	-46.487	3.500	2	
9	306	5.205	1.209	-23.980	5.500	1	9	365	8.784	0.933	-47.103	3.500	2	
9	307	5.288	1.220	-24.409	5.500	1	9	366	8.833	0.919	-47.488	3.500	2	
9	309	5.400	1.200	-25.202	5.500	1	9	367	8.840	0.858	-47.891	3.400	2	
9	310	5.437	1.171	-25.595	5.500	1	9	368	8.886	0.840	-48.271	3.400	2	
9	312	5.492	1.153	-26.032	4.400	2	9	369	8.938	0.820	-48.709	3.200	2	
9	313	5.545	1.142	-26.417	4.700	2	9	370	8.976	0.794	-49.089	3.400	2	
9	314	5.610	1.142	-26.808	4.900	1	9	371	9.036	0.794	-49.449	3.600	2	
9	316	5.793	1.197	-27.578	5.500	1	9	372	9.143	0.846	-49.780	3.600	2	
9	317	5.798	1.153	-27.868	5.700	2	9	373	9.182	0.843	-50.034	4.000	3	
9	318	5.822	1.113	-28.254	5.900	2	9	374	9.230	0.843	-50.319	4.000	2	
9	319	5.851	1.078	-28.640	6.100	2	9	375	9.279	0.800	-50.872	4.400	3	
9	320	5.940	1.107	-28.998	6.300	2	9	376	9.350	0.803	-51.286	4.500	3	
9	321	6.032	1.130	-29.413	6.600	2	9	377	9.476	0.803	-52.041	4.700	4	
9	322	6.134	1.168	-29.794	6.800	2	9	378	9.530	0.788	-52.452	4.800	3	
9	323	6.148	1.093	-30.331	5.700	1	9	379	9.606	0.803	-52.820	4.700	3	
9	324	6.232	1.110	-30.730	5.700	2	9	381	9.713	0.803	-53.464	4.700	4	
9	325	6.312	1.124	-31.126	5.700	2	9	382	9.742	0.803	-53.637	4.700	4	
9	326	6.387	1.124	-31.575	5.700	2	9	383	9.809	0.803	-54.038	4.600	4	
9	327	6.420	1.116	-31.827	5.600	2	9	384	9.924	0.803	-54.729	4.500	4	
9	328	6.504	1.127	-32.261	5.600	2	9	385	9.836	0.655	-55.086	4.400	3	
9	329	6.571	1.127	-32.661	5.600	2	9	386	9.909	0.672	-55.418	4.600	3	
9	330	6.635	1.124	-33.064	5.500	1	9	387	9.960	0.658	-55.815	4.400	4	
9	331	6.702	1.124	-33.466	5.500	1	9							
9	332	6.763	1.119	-33.866	5.500	1	9							
9	333	6.785	1.064	-34.326	5.400	2	9							
9	334	6.821	1.049	-34.633	5.100	2	9							
9	335	6.836	1.011	-34.943	4.900	2	9							

SHOT 25, SHOTPOINT 10

SHOT 25, SHOTPOINT 10

SHOT POINT	RECORDER LOCATION	TRAVEL TIME (REAL)	TRAVEL TIME (T-X/6)	DISTANCE	AZIMUTH	WEIGHT	SHOT POINT	RECORDER LOCATION	TRAVEL TIME (REAL)	TRAVEL TIME (T-X/6)	DISTANCE	AZIMUTH	WEIGHT
10	8	11.000	0.782	61.305	191.400	4	10	332	6.699	0.907	34.749	191.900	2
10	9	12.198	0.780	68.508	188.700	4	10	333	6.606	0.830	34.299	192.100	2
10	10	0.000	0.000	0.000	180.000	4	10	334	6.608	0.939	34.014	192.400	3
10	13	6.120	1.072	30.288	194.400	2	10	335	6.566	0.948	33.712	192.600	2
10	183	5.645	0.971	28.046	196.300	2	10	336	6.544	0.988	33.333	192.800	2
10	281	9.967	0.898	54.410	191.200	4	10	338	6.383	0.988	32.371	193.000	2
10	283	9.895	0.971	53.542	191.300	4	10	339	6.352	1.023	31.973	193.200	3
10	284	9.720	0.852	53.205	191.300	4	10	340	6.286	1.023	31.580	193.400	2
10	285	9.731	0.927	52.824	191.300	4	10	341	6.251	1.052	31.193	193.600	3
10	286	9.677	0.951	52.359	191.400	3	10	342	6.173	1.038	30.811	193.800	3
10	287	9.630	0.968	51.972	191.400	3	10	343	6.134	1.064	30.424	193.900	2
10	288	9.507	0.913	51.566	191.500	3	10	344	6.070	1.064	30.041	194.200	2
10	289	9.424	0.896	51.173	191.700	3	10	345	5.847	0.904	29.659	194.500	3
10	290	9.397	0.933	50.783	191.800	3	10	346	5.837	0.956	29.283	194.800	3
10	291	9.353	0.953	50.398	191.800	3	10	347	5.814	0.997	28.903	195.100	3
10	292	9.251	0.919	49.993	191.700	3	10	348	5.787	1.032	28.532	195.400	3
10	293	9.205	0.936	49.616	191.500	3	10	349	5.725	1.032	28.161	195.600	3
10	294	9.182	0.980	49.214	191.400	3	10	350	5.601	0.985	27.695	196.300	3
10	296	9.047	0.974	48.438	191.200	4	10	351	5.559	0.997	27.373	196.700	3
10	297	8.916	0.907	48.052	191.100	4	10	353	5.500	1.058	26.653	197.800	2
10	299	8.868	0.991	47.262	190.800	4	10	354	5.373	1.003	26.221	198.200	3
10	300	8.786	0.977	46.853	190.700	4	10	355	5.359	1.067	25.757	198.200	3
10	301	8.722	0.977	46.473	190.600	4	10	357	5.261	1.101	24.956	199.000	3
10	302	8.657	0.977	46.083	190.500	4	10	358	5.136	1.035	24.610	200.100	2
10	303	8.592	0.977	45.693	190.400	4	10	359	5.070	1.038	24.197	200.200	2
10	305	8.475	0.977	44.989	190.400	4	10	360	5.019	1.046	23.835	200.000	2
10	306	8.457	1.026	44.587	190.500	4	10	361	4.903	0.997	23.439	199.800	3
10	307	8.203	0.843	44.159	190.500	4	10	362	4.835	0.997	23.026	199.600	3
10	308	8.141	0.843	43.785	190.500	4	10	363	4.691	0.924	22.598	199.400	3
10	309	8.072	0.843	43.369	190.600	4	10	365	4.624	0.956	22.007	199.800	3
10	310	8.032	0.869	42.978	190.600	4	10	366	4.543	0.936	21.641	200.100	2
10	311	8.175	0.843	43.992	190.500	4	10	367	4.456	0.910	21.277	200.600	2
10	312	7.937	0.838	42.594	191.400	4	10	368	4.417	0.930	20.922	201.000	2
10	313	7.867	0.835	42.197	191.200	4	10	369	4.391	0.965	20.553	201.800	2
10	314	7.847	0.881	41.795	191.100	4	10	370	4.304	0.945	20.158	201.800	2
10	316	7.715	0.881	41.003	190.900	4	10	371	4.244	0.953	19.743	201.500	3
10	317	7.715	0.930	40.706	190.800	4	10	372	4.204	0.965	19.431	201.900	2
10	318	7.649	0.930	40.312	190.700	4	10	373	4.170	0.988	19.092	201.200	2
10	319	7.604	0.951	39.518	190.600	4	10	374	4.054	0.919	18.810	201.300	2
10	320	7.514	0.922	39.553	190.500	4	10	375	3.979	0.948	18.186	200.900	2
10	321	7.423	0.901	39.131	190.300	3	10	376	3.859	0.898	17.765	201.000	3
10	322	7.359	0.901	38.743	190.200	3	10	377	3.815	0.904	17.465	201.000	3
10	323	7.276	0.901	38.251	191.100	3	10	378	3.736	0.904	16.988	201.100	2
10	324	7.175	0.867	37.853	191.100	3	10	379	3.638	0.875	16.579	201.300	2
10	325	7.130	0.887	37.460	191.200	3	10	380	3.570	0.864	16.241	201.900	2
10	326	7.041	0.872	37.014	191.300	3	10	381	3.503	0.898	15.627	202.600	2
10	327	7.015	0.887	36.767	191.400	3	10	382	3.437	0.858	15.477	202.900	2
10	328	6.946	0.890	36.339	191.500	2	10	383	3.387	0.867	15.123	203.700	2
10	329	6.880	0.890	35.941	191.600	2	10	384	3.251	0.835	14.498	204.900	3
10	330	6.813	0.890	35.542	191.700	3	10	385	3.211	0.846	14.188	205.600	3
10	331	6.747	0.890	35.145	191.800	2	10	386	3.135	0.835	13.802	205.300	2
10							10	387	3.084	0.832	13.514	206.800	3

SHOT 26, SHOTPOINT 5

SHOT 26, SHOTPOINT 5

SHOT 26, SHOTPOINT 5

SHOT POINT	RECORDER LOCATION	TRAVEL TIME (REAL)	TRAVEL TIME (T-X/6)	DISTANCE	AZIMUTH	WEIGHT	SHOT POINT	RECORDER LOCATION	TRAVEL TIME (REAL)	TRAVEL TIME (T-X/6)	DISTANCE	AZIMUTH	WEIGHT
5	8	6.918	1.353	33.385	166.400	3	5	334	3.253	0.956	13.777	113.800	3
5	9	8.218	1.353	41.188	166.600	4	5	335	3.181	0.916	13.590	112.700	2
5	13	2.948	0.869	12.474	97.800	3	5	336	3.224	0.982	13.449	111.200	3
5	183	2.900	0.890	12.062	86.500	3	5	337	3.201	0.985	13.292	109.500	4
5	281	5.934	1.368	27.393	159.900	2	5	339	3.119	0.936	13.096	105.400	3
5	283	5.793	1.359	26.602	159.200	2	5	340	3.100	0.936	12.982	103.700	3
5	284	5.745	1.359	26.313	158.800	2	5	341	3.082	0.936	12.875	102.000	3
5	286	5.601	1.342	25.556	157.900	2	5	342	3.095	0.965	12.781	100.300	3
5	287	5.475	1.275	23.197	157.600	3	5	343	3.065	0.945	12.722	98.500	3
5	288	5.385	1.249	24.815	157.200	3	5	344	3.012	0.910	12.611	96.700	3
5	289	5.320	1.249	24.427	156.900	2	5	345	2.998	0.910	12.528	94.900	3
5	290	5.251	1.246	24.031	156.600	2	5	346	2.964	0.890	12.446	93.100	3
5	291	5.217	1.261	23.736	156.000	2	5	347	2.956	0.890	12.395	91.200	3
5	292	5.096	1.185	23.466	155.300	2	5	348	3.000	0.942	12.349	89.400	3
5	293	5.087	1.217	23.220	154.500	2	5	349	2.996	0.942	12.323	87.500	3
5	294	5.119	1.293	22.958	153.700	2	5	350	2.988	0.956	12.191	85.000	3
5	296	4.986	1.240	22.471	152.100	2	5	352	2.799	0.780	12.115	80.800	3
5	297	4.969	1.264	22.232	151.300	2	5	353	2.814	0.817	11.979	79.100	3
5	299	4.892	1.264	21.768	149.600	2	5	354	2.920	0.913	12.043	76.900	3
5	300	4.827	1.240	21.517	148.700	4	5	355	2.899	0.855	12.267	75.000	3
5	301	4.791	1.240	21.306	147.800	4	5	356	2.874	0.806	12.412	73.200	3
5	302	4.678	1.162	21.097	146.900	4	5	357	2.831	0.753	12.466	71.100	3
5	303	4.606	1.124	20.887	145.900	4	5	358	2.883	0.829	12.323	68.400	3
5	305	4.506	1.113	20.356	144.600	4	5	360	3.003	0.858	12.874	65.900	2
5	306	4.469	1.127	20.049	143.900	3	5	361	2.987	0.785	13.209	64.900	2
5	307	4.392	1.104	19.729	143.000	3	5	362	3.056	0.797	13.553	63.900	3
5	308	4.251	1.009	19.456	142.300	2	5	363	3.102	0.782	13.920	62.900	3
5	309	4.421	1.229	19.155	141.400	3	5	365	3.211	0.838	14.241	60.800	3
5	310	4.305	1.159	18.874	140.600	3	5	366	3.216	0.809	14.444	59.500	3
5	311	4.372	1.104	19.609	142.700	3	5	367	3.244	0.809	14.610	58.000	3
5	312	4.196	1.159	18.222	140.700	3	5	368	3.176	0.707	14.814	56.800	2
5	313	4.177	1.171	18.039	139.600	3	5	369	3.238	0.745	14.957	55.100	4
5	314	4.131	1.156	17.847	138.400	3	5	370	3.280	0.733	15.281	54.200	3
5	316	4.076	1.156	17.516	136.100	3	5	371	3.328	0.713	15.689	53.700	4
5	317	4.042	1.142	17.400	135.100	3	5	372	3.383	0.733	15.898	52.800	4
5	318	4.018	1.142	17.254	133.900	3	5	373	3.451	0.733	16.304	52.800	4
5	319	3.956	1.104	17.109	132.600	3	5	374	3.518	0.765	16.519	52.200	4
5	320	3.970	1.139	16.986	131.500	3	5	375	3.632	0.777	17.133	51.500	4
5	321	3.901	1.093	16.851	130.100	3	5	376	3.605	0.893	17.474	50.700	4
5	322	3.882	1.093	16.738	128.800	3	5	377	3.674	0.919	17.732	50.200	4
5	323	3.637	0.974	15.982	128.200	4	5	378	3.922	0.898	18.140	49.400	4
5	324	3.588	0.959	15.771	127.000	3	5	379	3.971	0.893	18.471	48.600	4
5	325	3.570	0.977	15.557	125.800	3	5	380	4.010	0.893	18.705	47.700	4
5	326	3.434	0.939	15.330	124.300	4	5	381	4.144	0.948	19.178	46.400	4
5	327	3.482	0.953	15.169	123.600	3	5	382	4.068	0.855	19.277	46.000	4
5	328	3.399	0.907	14.949	122.200	3	5	383	4.118	0.864	19.526	45.000	4
5	329	3.400	0.939	14.767	120.800	3	5	384	4.199	0.864	20.010	43.600	4
5	330	3.364	0.933	14.587	119.400	3	5	385	4.238	0.864	20.246	42.800	4
5	331	3.306	0.904	14.403	117.900	3	5	386	4.303	0.863	20.638	42.700	4
5	332	3.230	0.855	14.248	116.500	3	5	387	4.362	0.893	20.817	41.500	4
5	333	3.221	0.884	14.023	114.800	3	12	10	4.759	1.078	-22.087	19.500	4

SHOT 27, SHOTPOINT 12

SHOT 27, SHOTPOINT 12  
SHOT 28, SHOTPOINT 6

SHOT POINT	RECORDER LOCATION	TRAVEL TIME (REAL)	TRAVEL TIME (T-X/6)	DISTANCE	AZIMUTH	WEIGHT	SHOT POINT	RECORDER LOCATION	TRAVEL TIME (REAL)	TRAVEL TIME (T-X/6)	DISTANCE	AZIMUTH	WEIGHT
12	13	2.311	0.893	8.511	181.200	1	12	339	2.561	0.843	10.309	179.500	3
12	183	1.837	0.817	6.118	184.700	1	12	340	2.540	0.890	9.902	179.600	2
12	281	6.454	1.003	32.710	185.500	4	12	341	2.479	0.896	9.499	179.700	2
12	283	6.207	0.901	31.837	185.600	4	12	342	2.412	0.896	9.102	179.800	2
12	284	6.180	0.930	31.500	185.500	4	12	343	2.317	0.867	8.704	179.700	1
12	286	6.036	0.927	30.650	185.500	4	12	344	2.266	0.884	8.295	180.100	1
12	287	5.857	0.814	30.258	185.600	4	12	345	2.182	0.867	7.891	180.400	1
12	288	5.751	0.777	29.846	185.700	4	12	346	2.092	0.843	7.489	180.900	1
12	289	5.681	0.774	29.444	185.800	4	12	347	2.019	0.838	7.088	181.200	1
12	290	5.600	0.759	29.042	186.000	4	12	348	1.953	0.838	6.692	181.600	1
12	291	5.565	0.788	28.662	185.800	4	12	349	1.873	0.823	6.298	182.100	1
12	292	5.500	0.788	28.270	185.500	4	12	350	1.794	0.832	5.775	183.900	1
12	293	5.459	0.809	27.905	185.300	4	12	351	1.698	0.794	5.422	185.100	1
12	294	5.455	0.869	27.516	185.000	4	12	353	1.617	0.846	4.622	189.700	2
12	296	5.513	1.052	26.768	184.400	4	12	354	1.483	0.788	4.171	191.200	3
12	297	5.451	1.052	26.396	184.100	4	12	355	1.151	0.533	3.707	190.800	1
12	299	5.377	1.104	25.639	183.400	4	12	357	0.972	0.493	2.877	195.100	3
12	300	5.065	0.858	25.244	183.100	4	12	358	0.930	0.507	2.534	205.200	3
12	301	4.976	0.829	24.881	182.800	4	12	360	0.612	0.319	1.760	206.400	3
12	302	4.914	0.829	24.510	182.400	4	12	361	0.510	0.284	1.358	204.900	3
12	303	4.849	0.826	24.140	182.000	4	12	362	0.331	0.174	0.941	202.800	2
12	305	4.723	0.817	23.435	181.900	4	12	363	0.259	0.174	0.512	196.000	2
12	306	4.656	0.817	23.032	181.800	4	12	364	0.049	0.038	0.068	129.800	0
12	307	4.657	0.890	22.603	181.800	4	12	365	0.099	0.072	-0.162	319.200	0
12	308	4.560	0.855	22.229	181.700	4	12	366	0.309	0.223	-0.515	349.700	2
12	309	4.490	0.855	21.813	181.600	4	12	367	0.392	0.238	-0.925	351.000	1
12	310	4.332	0.762	21.421	181.500	4	12	368	0.527	0.310	-1.303	353.600	0
12	311	4.594	0.855	22.437	181.700	4	12	369	0.676	0.382	-1.763	351.000	0
12	312	4.270	0.777	20.960	182.800	4	12	370	0.736	0.382	-2.119	356.200	0
12	313	4.184	0.753	20.581	182.400	4	12	371	0.813	0.403	-2.462	2.600	0
12	314	4.119	0.753	20.194	182.000	3	12	372	0.926	0.461	-2.793	2.600	0
12	316	3.994	0.753	19.441	181.200	3	12	373	1.020	0.510	-3.057	8.600	0
12	317	3.950	0.756	19.160	180.800	3	12	374	1.093	0.536	-3.344	8.800	1
12	318	3.888	0.756	18.787	180.300	3	12	375	1.203	0.548	-3.931	12.900	1
12	319	3.860	0.791	18.415	179.900	3	12	376	1.291	0.563	-4.353	13.200	1
12	321	3.696	0.751	17.675	178.900	3	12	377	1.384	0.609	-4.653	13.600	2
12	322	3.546	0.661	17.313	178.300	3	12	378	1.481	0.626	-5.129	14.000	2
12	323	3.533	0.748	16.712	180.000	3	12	379	1.558	0.635	-5.542	13.900	1
12	324	3.478	0.759	16.315	179.800	2	12	380	1.606	0.623	-5.899	12.900	1
12	325	3.413	0.759	15.919	179.700	3	12	381	1.635	0.606	-6.537	12.000	2
12	326	3.355	0.777	15.472	179.600	3	12	382	1.743	0.626	-6.703	11.400	2
12	327	3.292	0.756	15.216	179.700	3	12	383	1.805	0.623	-7.093	10.400	2
12	328	3.200	0.736	14.783	179.600	3	12	384	1.913	0.617	-7.774	9.300	2
12	329	3.209	0.811	14.383	179.400	3	12	385	1.963	0.609	-8.124	8.700	2
12	330	3.139	0.809	13.981	179.300	3	12	386	2.064	0.652	-8.473	8.900	1
12	331	3.069	0.806	13.580	179.200	3	12	387	2.049	0.574	-8.851	8.200	3
12	332	3.005	0.809	13.180	179.100	3	12	8	3.984	1.095	17.331	193.400	2
12	333	2.928	0.809	12.715	179.200	3	12	9	3.192	1.095	24.581	185.400	4
12	334	2.845	0.780	12.395	179.700	3	12	13	3.124	0.804	-13.920	2.100	3
12	335	2.783	0.771	12.071	180.000	3	12	183	3.503	0.782	-16.323	0.700	4
12	336	2.773	0.826	11.684	180.000	3	12	281	2.786	1.048	10.433	193.700	2
12	337	2.704	0.826	11.270	180.100	3	12						

SHOT 28, SHOTPOINT 6  
SHOT 29, SHOTPOINT 7

SHOT 28, SHOTPOINT 6				SHOT 29, SHOTPOINT 7									
SHOT POINT	RECORDER LOCATION	TRAVEL TIME (REAL)	TRAVEL TIME (T-X/6)	DISTANCE	AZIMUTH	WEIGHT	SHOT POINT	RECORDER LOCATION	TRAVEL TIME (REAL)	TRAVEL TIME (T-X/6)	DISTANCE	AZIMUTH	WEIGHT
6	283	2.439	0.843	-9.571	194.500	2	6	340	2.877	0.787	-12.541	3.500	3
6	284	2.582	1.043	9.235	194.700	1	6	341	2.961	0.804	-12.942	3.300	3
6	284	2.574	1.035	9.235	194.700	1	6	342	2.997	0.774	-13.338	3.100	3
6	286	2.408	1.008	8.397	195.600	1	6	343	3.115	0.826	-13.735	3.100	3
6	287	2.292	0.956	8.016	196.200	1	6	344	3.161	0.804	-14.140	2.800	3
6	288	2.200	0.930	7.619	197.100	1	6	345	3.176	0.752	-14.543	2.500	3
6	289	2.107	0.900	7.241	198.300	1	6	346	3.277	0.787	-14.942	2.200	3
6	290	2.036	0.891	6.870	199.800	1	6	347	3.305	0.748	-15.343	2.100	3
6	291	1.946	0.865	6.485	200.000	1	6	348	3.366	0.743	-15.738	1.800	3
6	292	1.877	0.865	6.070	199.600	1	6	349	3.471	0.782	-16.133	1.700	4
6	293	1.812	0.865	5.683	199.200	1	6	350	3.598	0.822	-16.660	1.000	4
6	294	1.735	0.856	5.273	198.800	1	6	351	3.667	0.830	-17.020	0.700	4
6	296	1.559	0.813	4.478	197.500	0	6	353	3.907	0.930	-17.864	359.700	4
6	297	1.502	0.822	4.085	196.900	1	6	354	3.807	0.752	-18.328	359.600	3
6	299	1.268	0.722	3.280	194.600	1	6	355	3.864	0.735	-18.777	0.000	3
6	300	1.125	0.648	2.867	193.500	1	6	357	3.973	0.700	-19.641	359.900	3
6	301	1.035	0.622	2.483	191.600	1	6	358	4.316	0.961	-20.129	358.900	4
6	302	0.875	0.526	2.095	188.800	1	6	360	4.461	0.987	-20.843	359.800	4
6	303	0.790	0.504	1.713	185.100	0	6	361	4.401	0.869	-21.187	0.300	4
6	305	0.515	0.348	1.006	184.000	0	6	362	4.644	1.052	-21.554	0.900	4
6	306	0.330	0.230	0.602	183.300	0	6	363	4.534	0.878	-21.934	1.500	4
6	307	0.142	0.113	0.174	178.200	0	6	364	4.609	0.878	-22.388	1.900	4
6	308	0.108	0.074	-0.205	12.700	0	6	365	4.636	0.878	-22.549	1.500	4
6	309	0.312	0.208	-0.621	8.000	1	6	366	4.700	0.878	-22.934	1.500	4
6	310	0.504	0.335	-1.014	7.000	0	6	367	4.768	0.878	-23.340	1.400	4
6	311	0.030	0.026	0.027	105.500	0	6	368	4.771	0.817	-23.721	1.300	4
6	312	0.679	0.426	-1.518	347.700	1	6	369	4.814	0.787	-24.164	1.000	4
6	313	0.771	0.461	-1.864	355.100	1	6	370	4.846	0.756	-24.540	1.300	4
6	314	0.868	0.435	-2.238	359.600	1	6	371	4.905	0.756	-24.892	1.900	4
6	316	1.260	0.761	-2.997	5.800	2	6	372	4.947	0.743	-25.222	1.900	3
6	317	1.365	0.817	-3.289	7.400	1	6	373	4.988	0.743	-25.468	2.600	3
6	318	1.417	0.804	-3.679	9.100	2	6	374	5.183	0.891	-25.752	2.700	4
6	319	1.448	0.769	-4.071	10.400	2	6	375	5.274	0.891	-26.298	3.400	4
6	320	1.526	0.787	-4.437	11.500	2	6	376	5.421	0.969	-26.711	3.600	4
6	321	1.645	0.835	-4.862	12.400	2	6	377	5.426	0.926	-27.002	3.800	4
6	322	1.688	0.813	-5.253	13.200	2	6	378	5.503	0.926	-27.464	4.100	4
6	323	1.750	0.791	-5.751	7.100	1	6	379	5.471	0.826	-27.874	4.200	4
6	324	1.838	0.813	-6.150	7.000	1	6	380	5.594	0.887	-28.242	4.100	4
6	325	1.926	0.835	-6.546	6.800	2	6	381	5.701	0.887	-28.887	4.000	4
6	326	1.926	0.761	-6.995	6.700	2	6	382	5.730	0.887	-29.060	4.000	4
6	327	2.077	0.863	-7.247	6.300	2	6	383	5.730	0.887	-29.060	4.000	4
6	328	2.106	0.826	-7.680	6.000	2	6	384	5.904	0.952	-30.154	3.700	4
6	329	2.177	0.830	-8.080	6.000	2	6	385	6.037	0.952	-30.512	3.600	4
6	330	2.248	0.835	-8.483	5.800	2	6	386	6.010	0.869	-30.841	3.600	4
6	331	2.324	0.843	-8.884	5.700	2	6	387	6.076	0.869	-31.241	3.600	4
6	332	2.391	0.843	-9.285	5.600	2	6	387	6.076	0.869	-31.241	3.600	4
6	333	2.394	0.769	-9.745	5.200	2	7	8	2.171	0.756	8.487	191.600	4
6	334	2.571	0.895	-10.053	4.300	3	7	9	3.368	0.713	15.930	180.000	4
6	335	2.589	0.861	-10.371	3.800	3	7	13	4.772	1.000	-22.631	7.200	2
6	336	2.680	0.887	-10.758	3.700	3	7	41	8.701	0.716	-47.913	341.900	4
6	337	2.744	0.882	-11.170	3.500	4	7	86	5.426	0.359	-26.801	25.900	4
6	339	2.875	0.852	-12.136	3.700	3	7	89	5.936	0.846	-30.541	18.800	4



SHOT 29, SHOTPOINT 7				SHOT 29, SHOTPOINT 14									
SHOT POINT	RECORDER LOCATION	TRAVEL TIME (REAL)	TRAVEL TIME (T-X/6)	DISTANCE	AZIMUTH	WEIGHT	SHOT POINT	RECORDER LOCATION	TRAVEL TIME (REAL)	TRAVEL TIME (T-X/6)	DISTANCE	AZIMUTH	WEIGHT
7	183	4.997	0.832	-24.991	5.800	4	7	340	4.539	0.991	-21.285	8.300	3
7	281	0.762	0.496	1.602	185.100	0	7	341	4.550	0.936	-21.681	8.100	3
7	283	0.400	0.278	0.729	185.500	0	7	342	4.652	0.974	-22.072	8.000	3
7	284	0.257	0.197	0.393	181.900	1	7	343	4.707	0.962	-22.466	7.800	3
7	286	0.273	0.197	-0.459	8.500	1	7	344	4.755	0.945	-22.864	7.500	3
7	287	0.431	0.290	-0.850	5.400	0	7	345	4.836	0.959	-23.260	7.300	3
7	288	0.613	0.403	-1.263	3.600	0	7	346	4.872	0.930	-23.652	7.100	3
7	289	0.762	0.484	-1.668	1.700	0	7	347	4.915	0.907	-24.047	6.900	4
7	290	0.926	0.580	-2.077	359.900	0	7	348	4.948	0.875	-24.436	6.600	4
7	291	1.028	0.620	-2.449	2.500	1	7	349	5.030	0.893	-24.825	6.500	4
7	292	1.180	0.707	-2.838	5.800	1	7	350	5.214	0.991	-25.336	5.900	4
7	293	1.262	0.727	-3.207	8.200	0	7	351	5.237	0.956	-25.686	5.700	4
7	294	1.319	0.719	-3.604	10.000	0	7	353	5.330	0.913	-26.500	4.800	4
7	296	1.475	0.745	-4.381	12.800	0	7	354	5.453	0.959	-26.960	4.700	4
7	297	1.569	0.774	-4.770	13.800	0	7	355	5.364	0.794	-27.418	4.900	4
7	299	1.734	0.806	-5.572	15.600	0	7	357	5.544	0.832	-28.274	4.600	3
7	300	1.824	0.826	-5.987	16.000	0	7	358	5.731	0.942	-28.733	3.900	4
7	301	1.932	0.869	-6.376	16.600	1	7	360	5.738	0.826	-29.470	4.300	4
7	302	2.030	0.901	-6.775	17.200	1	7	361	5.754	0.782	-29.829	4.700	4
7	303	2.088	0.893	-7.173	17.600	2	7	362	5.841	0.806	-30.210	5.000	4
7	305	2.247	0.936	-7.868	16.600	2	7	363	5.947	0.846	-30.604	5.400	4
7	306	2.369	0.991	-8.264	16.100	1	7	364	6.030	0.852	-31.070	5.700	4
7	307	2.479	1.032	-8.686	15.300	1	7	365	6.032	0.829	-31.220	5.400	4
7	308	2.512	1.003	-9.057	15.200	1	7	366	6.047	0.780	-31.604	5.300	4
7	309	2.595	1.017	-9.469	14.700	1	7	367	6.114	0.780	-32.004	5.200	4
7	310	2.646	1.003	-9.857	14.400	2	7	368	6.186	0.788	-32.384	5.100	3
7	311	2.484	1.009	-8.852	15.400	1	7	369	6.278	0.809	-32.817	4.800	3
7	312	2.695	0.991	-10.223	11.300	2	7	370	6.301	0.768	-33.200	5.000	3
7	313	2.761	0.991	-10.621	11.700	2	7	371	6.371	0.777	-33.567	5.400	3
7	314	2.837	1.000	-11.024	12.100	2	7	372	6.452	0.803	-33.897	5.300	3
7	316	3.022	1.052	-11.819	12.800	1	7	373	6.543	0.849	-34.161	5.800	3
7	317	3.057	1.038	-12.118	13.100	1	7	374	6.550	0.809	-34.447	5.900	4
7	318	3.089	1.003	-12.517	13.400	2	7	375	6.600	0.765	-35.011	6.400	4
7	320	3.211	0.997	-13.283	14.000	2	7	376	6.670	0.765	-35.427	6.500	4
7	321	3.305	1.020	-13.710	14.200	3	7	377	6.719	0.765	-35.722	6.600	4
7	322	3.385	1.035	-14.103	14.500	2	7	378	6.797	0.765	-36.189	6.800	4
7	323	3.405	0.977	-14.568	12.000	2	7	379	6.855	0.765	-36.601	6.800	4
7	324	3.451	0.956	-14.965	11.800	3	7	380	6.915	0.753	-36.967	6.700	4
7	325	3.556	0.997	-15.357	11.600	2	7	381	7.080	0.811	-37.611	6.700	4
7	326	3.637	1.003	-15.803	11.400	2	7	382	7.108	0.811	-37.782	6.600	4
7	327	3.655	0.980	-16.050	11.200	2	7	383	7.175	0.811	-38.180	6.500	4
7	328	3.749	1.003	-16.479	11.000	2	7	384	7.249	0.771	-38.868	6.300	4
7	329	3.769	0.956	-16.877	10.800	3	7	385	7.244	0.707	-39.223	6.200	4
7	330	3.816	0.936	-17.277	10.600	2	7	386	7.338	0.745	-39.562	6.500	4
7	331	3.807	0.861	-17.675	10.400	2	7	387	7.403	0.745	-39.951	6.200	4
7	332	3.882	0.869	-18.073	10.300	2	14	8	4.836	0.782	24.322	191.400	4
7	333	4.027	0.939	-18.526	10.000	2	14	9	6.051	0.782	31.611	185.600	4
7	334	4.049	0.913	-18.820	9.400	3	14	13	1.983	0.829	6.926	357.900	2
7	335	4.069	0.881	-19.128	8.900	3	14	183	2.434	0.875	-9.350	356.500	3
7	336	4.147	0.896	-19.512	9.100	4	14	281	3.820	0.916	17.428	190.700	4
7	337	4.230	0.910	-19.919	8.700	4	14	283	3.676	0.916	16.560	191.000	3
7	339	4.484	1.003	-20.884	8.500	3							

SHOT 30, SHOTPOINT 14  
SHOT 31, SHOTPOINT 13

SHOT 30, SHOTPOINT 14

SHOT POINT	RECORDER LOCATION	TRAVEL TIME (REAL)	TRAVEL TIME (T-X/6)	DISTANCE	AZIMUTH	WEIGHT	SHOT POINT	RECORDER LOCATION	TRAVEL TIME (REAL)	TRAVEL TIME (T-X/6)	DISTANCE	AZIMUTH	WEIGHT
14	284	3.620	0.916	16.223	191.000	3	14	345	2.051	0.794	-7.541	359.100	3
14	286	3.481	0.919	15.376	191.300	3	14	346	2.124	0.800	-7.944	358.700	3
14	287	3.431	0.933	14.989	191.600	3	14	347	2.232	0.840	-8.347	358.500	3
14	288	3.349	0.919	14.584	191.900	3	14	348	2.266	0.809	-8.745	358.300	3
14	289	3.313	0.948	14.192	192.400	3	14	350	2.468	0.855	-9.680	357.300	3
14	290	3.205	0.904	13.804	192.900	3	14	351	2.199	0.824	-10.045	356.900	3
14	291	3.123	0.887	13.419	192.800	3	14	352	2.337	0.877	-10.563	356.500	3
14	292	3.055	0.887	13.012	192.400	2	14	353	2.395	0.877	-10.907	355.600	3
14	293	3.021	0.916	12.634	192.000	2	14	354	2.574	0.878	-11.373	355.600	3
14	294	2.925	0.887	12.292	191.600	2	14	355	2.647	0.878	-11.813	356.300	3
14	296	2.825	0.916	11.456	190.600	3	14	356	2.656	0.820	-12.217	356.600	3
14	297	2.744	0.898	11.071	190.100	3	14	357	2.780	0.667	-12.678	356.300	3
14	299	2.604	0.890	10.287	188.900	4	14	358	2.847	0.649	-13.187	355.000	4
14	300	2.528	0.881	9.881	188.400	4	14	360	3.009	0.609	-13.880	356.500	4
14	301	2.465	0.881	9.506	187.600	4	14	361	3.064	0.696	-14.212	357.400	4
14	302	2.402	0.881	9.124	186.800	4	14	362	3.109	0.681	-14.569	358.300	4
14	303	2.338	0.881	8.743	186.000	4	14	363	3.171	0.681	-14.939	359.200	3
14	305	2.220	0.881	8.036	186.000	4	14	364	3.266	0.701	-15.387	360.000	4
14	306	2.150	0.878	7.632	186.000	3	14	365	3.265	0.672	-15.554	359.400	4
14	308	1.952	0.814	6.827	186.000	3	14	366	3.288	0.632	-15.938	359.400	4
14	309	1.897	0.829	6.410	186.100	2	14	367	3.356	0.632	-16.346	359.300	4
14	311	1.955	0.782	7.035	186.000	3	14	368	3.385	0.597	-16.727	359.300	3
14	312	1.805	0.869	5.611	191.200	1	14	369	3.468	0.606	-17.175	358.900	3
14	313	1.678	0.809	5.215	190.200	4	14	370	3.489	0.565	-17.546	359.300	3
14	314	1.553	0.751	4.815	189.300	4	14	371	3.561	0.580	-17.890	0.200	4
14	316	1.345	0.672	4.033	186.600	3	14	373	3.679	0.603	-18.457	1.200	4
14	317	1.334	0.710	3.743	185.200	3	14	374	3.726	0.603	-18.740	1.400	4
14	318	1.169	0.609	3.361	183.100	3	14	375	3.816	0.603	-19.279	2.400	4
14	319	0.961	0.464	2.984	180.600	3	14	376	3.853	0.571	-19.691	2.700	4
14	320	0.890	0.449	2.643	177.500	2	14	377	3.901	0.571	-19.980	2.900	4
14	321	0.762	0.385	2.259	172.800	2	14	378	4.021	0.614	-20.440	3.300	3
14	322	0.701	0.380	1.926	166.900	2	14	379	4.078	0.603	-20.849	3.500	3
14	323	0.564	0.351	1.283	182.500	2	14	380	4.165	0.629	-21.218	3.400	3
14	324	0.385	0.238	0.884	181.100	2	14	382	4.278	0.606	-22.036	3.300	3
14	325	0.209	0.127	0.489	178.900	2	14	383	4.340	0.600	-22.440	3.100	4
14	326	0.036	0.026	0.062	131.500	0	14	384	4.455	0.600	-23.132	3.000	4
14	327	0.134	0.098	-0.216	6.700	0	14	385	4.515	0.600	-23.491	2.800	4
14	328	0.279	0.171	-0.650	3.900	1	14	386	4.569	0.600	-23.818	3.400	4
14	329	0.688	0.313	-1.050	4.100	0	14	387	4.636	0.600	-24.220	2.900	4
14	330	0.680	0.438	-1.453	3.900	0	14	8	6.047	0.864	31.100	188.400	4
14	331	0.808	0.498	-1.855	3.600	1	13	9	7.290	0.875	38.487	184.200	4
14	332	0.927	0.551	-2.256	3.600	1	13	10	5.790	0.742	-30.288	14.400	4
14	333	1.004	0.551	-2.719	2.500	1	13	13	0.032	0.032	0.000	180.000	0
14	334	1.123	0.617	-3.036	359.800	1	13	13	0.947	0.947	-2.433	352.500	4
14	335	1.195	0.635	-3.360	358.700	1	13	183	4.986	0.948	24.232	187.100	3
14	336	1.340	0.716	-3.747	358.900	1	13	281	4.841	0.948	23.359	187.200	3
14	338	1.541	0.756	-4.708	0.500	1	13	283	4.802	0.965	23.022	187.100	3
14	340	1.660	0.739	-5.529	0.000	2	13	284	4.640	0.945	22.172	187.200	3
14	341	1.754	0.765	-6.329	359.900	2	13	286	4.569	0.945	21.781	187.300	3
14	342	1.820	0.765	-6.929	359.700	2	13	287	4.507	0.945	21.371	187.400	3
14	343	1.872	0.751	-6.726	359.800	3	13	288	4.287	0.858	20.573	187.900	3
14	344	1.949	0.759	-7.135	359.300	3	13	290					

SHOT 31, SHOTPOINT 13						SHOT 31, SHOTPOINT 13							
SHOT POINT	RECORDER LOCATION	TRAVEL TIME (REAL)	TRAVEL TIME (T-X/6)	DISTANCE	AZIMUTH	WEIGHT	SHOT POINT	RECORDER LOCATION	TRAVEL TIME (REAL)	TRAVEL TIME (T-X/6)	DISTANCE	AZIMUTH	WEIGHT
13	291	4.217	0.852	20.191	187.800	3	13	350	1.001	0.542	-2.755	353.600	4
13	292	4.221	0.922	19.794	187.400	2	13	351	1.103	0.582	-3.123	354.500	4
13	293	4.136	0.898	19.425	187.000	3	13	352	1.259	0.652	-3.644	353.700	4
13	294	4.105	0.933	19.032	186.700	2	13	353	1.365	0.698	-3.998	351.400	4
13	296	3.979	0.933	18.276	185.900	3	13	354	1.532	0.809	-4.462	351.900	1
13	297	3.879	0.896	17.901	185.500	3	13	355	1.677	0.811	-4.894	354.000	1
13	299	3.839	0.982	17.137	184.500	3	13	356	1.677	0.794	-5.295	354.900	1
13	300	3.743	0.953	16.740	184.100	3	13	357	1.797	0.838	-5.758	354.400	1
13	301	3.703	0.974	16.375	183.500	3	13	358	1.884	0.838	-6.280	351.800	1
13	302	3.641	0.974	16.002	183.000	4	13	360	1.977	0.817	-6.958	353.000	1
13	303	3.579	0.974	15.631	182.400	4	13	361	2.069	0.855	-7.287	356.900	1
13	306	3.359	0.939	14.522	182.200	4	13	362	2.129	0.855	-7.643	358.600	1
13	307	3.236	0.887	14.093	182.100	4	13	363	2.182	0.846	-8.016	0.300	2
13	308	3.112	0.826	13.718	182.000	4	13	364	2.275	0.864	-8.468	1.600	2
13	309	3.017	0.800	13.302	181.800	4	13	365	2.285	0.846	-8.631	0.500	2
13	310	2.925	0.774	12.910	181.700	4	13	366	2.314	0.811	-9.016	0.600	2
13	311	3.164	0.843	13.926	182.000	4	13	367	2.338	0.768	-9.423	0.200	2
13	312	2.867	0.791	12.455	183.900	3	13	368	2.376	0.742	-9.804	0.200	2
13	313	2.780	0.768	12.073	183.200	3	13	369	2.485	0.777	-10.250	359.500	2
13	314	2.684	0.736	11.685	182.600	3	13	370	2.504	0.733	-10.623	0.200	3
13	316	2.552	0.730	10.931	181.100	3	13	371	2.562	0.733	-10.972	1.500	3
13	317	2.511	0.736	10.650	180.500	3	13	372	2.617	0.733	-11.303	1.600	2
13	318	2.487	0.774	10.278	179.600	3	13	373	2.710	0.785	-11.549	3.200	2
13	319	2.477	0.826	9.908	178.700	2	13	374	2.766	0.794	-11.834	3.400	2
13	320	2.464	0.869	9.569	177.800	2	13	375	2.853	0.788	-12.386	4.900	2
13	321	2.399	0.869	9.178	176.700	2	13	376	2.919	0.785	-12.801	5.300	3
13	322	2.326	0.855	8.824	175.500	2	13	377	2.947	0.765	-13.094	5.600	4
13	323	2.222	0.855	8.205	178.700	2	13	378	3.025	0.765	-13.560	6.000	3
13	324	2.110	0.809	7.809	178.300	2	13	379	3.111	0.782	-13.971	6.200	3
13	325	2.044	0.809	7.415	178.000	1	13	380	3.120	0.730	-14.338	6.000	3
13	326	1.970	0.803	6.969	177.600	1	13	381	3.227	0.730	-14.982	5.900	3
13	327	1.922	0.803	6.713	177.700	1	13	383	3.343	0.751	-15.554	5.400	3
13	328	1.847	0.800	6.280	177.300	1	13	384	3.403	0.696	-16.244	5.100	3
13	329	1.783	0.803	5.883	176.900	1	13	385	3.477	0.710	-16.600	4.900	3
13	330	1.690	0.777	5.483	176.400	1	13	386	3.5				
13	331	1.624	0.777	5.083	175.900	1							
13	332	1.558	0.777	4.686	175.200	1							
13	333	1.489	0.785	4.221	175.000	1							
13	334	1.446	0.797	3.893	176.500	1							
13	335	1.287	0.693	3.567	177.200	1							
13	336	1.176	0.646	3.180	176.800	3							
13	338	0.888	0.516	2.232	172.600	1							
13	340	0.653	0.417	1.415	169.800	1							
13	341	0.529	0.359	1.018	166.700	0							
13	342	0.372	0.267	0.631	160.000	1							
13	343	0.232	0.182	0.296	131.400	1							
13	344	0.146	0.101	-0.270	37.800	1							
13	345	0.287	0.182	-0.630	11.300	1							
13	346	0.440	0.269	-1.023	3.900	2							
13	347	0.559	0.322	-1.423	1.400	1							
13	348	0.634	0.391	-1.820	359.700	2							
13	349	0.824	0.455	-2.216	358.800	3							